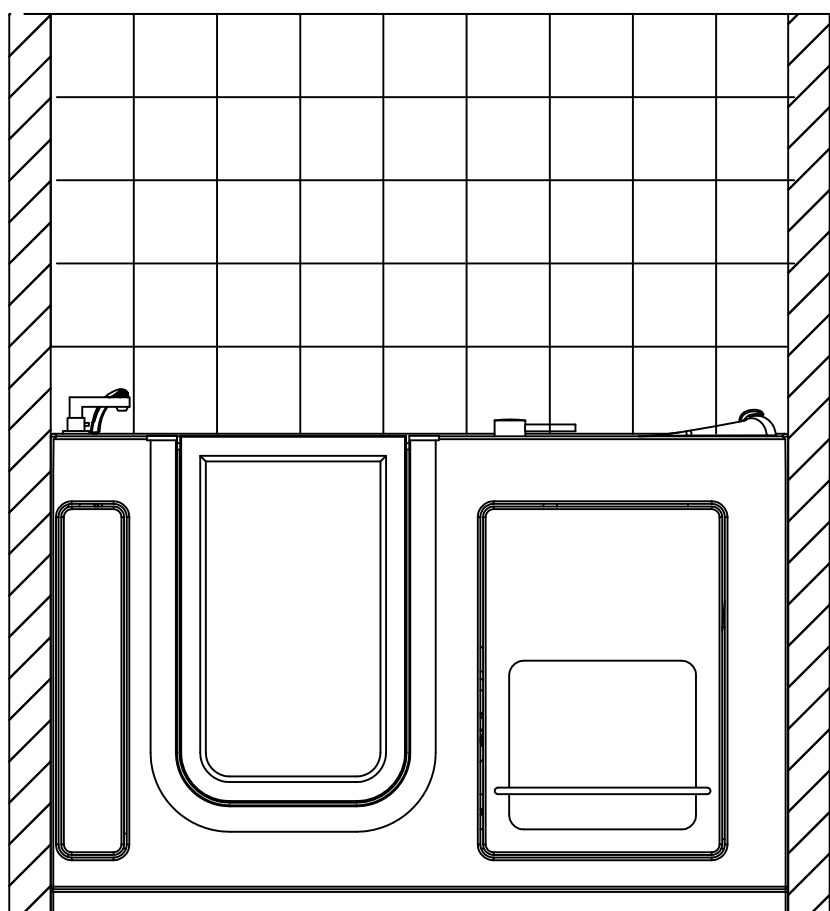


INSTALLATION AND OWNER'S MANUAL



Walk-in Tub Model Number: WT623.1.1JAC.ABS-II-L
(Features may vary based on model)

Please carefully read these instructions before you begin to install the products.

Before you start

Thank you for purchasing your Aston Walk-in bathtub. We hope that it will provide you with years of satisfying use and enjoyment.

Please read this manual carefully because it contains information and instructions about the proper installation of the unit. If you do not follow certain conditions of installation and maintenance, your warranty may be affected.

Aston walk-in bathtubs feature:

- Air switch jet pump control
- Massaging whirlpool jets
- Easy maintenance durable fiberglass reinforced acrylic
- Thermostatic Valve with anti scald feature
- Diverter valve
- Hand held shower wand
- Innovative door locking system
- Side accessory panel for corner and free standing installations (Optional equipment based on model)

Important Safety Instruction

WARNING: To reduce the risk of drowning, electrical shock, or injury, read the following important precautions before using the unit. If you do not fully understand the meaning of any of the precautions and warnings please consult your dealer or the manufacturer for a full explanation. Do not use the unit until you understand all of the following:

1. **WARNING:** Read and follow all instructions.
2. **DANGER:** To reduce the risk of injury, do not permit children to use the unit unless they are closely supervised.
3. **WARNING:** Use this unit only for the intended purpose described in this manual; do not use attachments not recommended by the manufacturer.
4. **WARNING:** Never drop or insert any objects into any opening.
5. **WARNING:** The unit must be connected to a supply circuit that is protected by a ground fault circuit interrupter (GFCI). This GFCI should be provided by the installer and routinely tested.

To test the GFCI:

- a. Push the “test” button. The GFCI should interrupt the power going to the unit.
- b. Press the “reset” button and power should be restored.

If the GFCI fails to operate as described, the GFCI is defective and must be replaced. If the GFCI interrupts power to the unit without the test button being pushed, a ground fault has occurred. Discontinue use and contact your dealer or service provider.

6. **WARNING:** If you have a pre-existing health condition such as obesity, heart disease, high or low blood pressure, circulatory problems, or diabetes, consult your physician before use. If you are pregnant or could be pregnant, do not use the unit without consulting your doctor.
7. **WARNING:** Observe reasonable time limits when using this product. Long exposures at high temperatures can cause high body temperatures. Symptoms may include dizziness, nausea, fainting, drowsiness, and reduced awareness. These effects could possibly lead to drowning.
8. **WARNING:** The water jets produce a stream of water with relatively high pressure. Prolonged exposure of high-pressure water to a localized area of the body may cause bruising.
9. **WARNING:** Prolonged immersion in hot water or steam may induce hyperthermia. A description of the cause, symptoms and effects of hyperthermia are as follows:
 - c. Lack of awareness of impending hazard;
 - d. Failure to perceive heat;
 - e. Failure to recognize the need to exit the unit;

- f. Fetal damage in pregnant women;
- g. Unconsciousness and danger of drowning.

- 10. WARNING:** To avoid the risk of accidental injury or drowning children should not use the hydro massage bathtub without adult supervision.
- 11. WARNING:** To avoid injury, take care when entering or exiting the hydro massage bathtub.
- 12. WARNING:** To avoid unconsciousness and possible drowning, do not take drugs or drink alcohol before or during the use of a hydro massage bathtub equipped with a heater.
- 13. WARNING:** To prevent risk of fetal injury, a pregnant or possibly pregnant woman should consult a doctor before using a hydro massage bathtub equipped with a heater.
- 14. WARNING:** To reduce the risk of hyperthermia and possible drowning, do not use a hydro massage bathtub equipped with a heater immediately following strenuous exercise.
- 15. WARNING:** To reduce the risk of electric shock, do not permit electric appliances (such as a hair dryer, lamp, telephone, radio, or television) within 1.5m (5 ft.) of a hydro massage bathtub.
- 16. CAUTION:** Test the ground fault circuit interrupter (GFCI) protecting this appliance periodically in accordance with the manufacturer's instructions..
- 17. WARNING:** Water temperature in excess of 40 C (104 F) may be injurious to your health and increase the risk of hyperthermia and drowning.
- 18. WARNING:** To reduce the risk of hyperthermia, people using medication and or having an adverse medical history should consult a doctor before using a hydro massage bathtub equipped with a heater.

Certifications:

All Aston Walk in Tubs are 3rd party tested to meet the following US, Canadian and International Standards:

- UL1795
- ASME A112.19.7
- CSA B45 Series - 02
- CSA C22.2 No 218.2 - 93

Terms and Definitions

Becoming familiar with commonly used plumbing and electrical terms will help you as you use this owner's manual and when you consult the dealer regarding parts and service.

Amperes	Commonly called Amps, rating for flow of electricity
AWG	American Wire Gauge (see Wire Gauge), sizing standard for wire diameter
Circuit	Closed loop of electricity
Circuit Breaker	Mechanical device to switch power to a circuit on and off
Circuit Load	Maximum number of amps a circuit can carry defined by the total load (Amps) of all components within a circuit. Circuit load determines the size of the circuit breaker used to protect it
CSA	The Canadian Standards Association develops products safety standards for Canada similar to UL in the USA
GFCI (Ground Fault Circuit Interrupter) (USA)	Breaker that interrupts the flow of electricity when it detects voltage going to ground. This type of breaker is required to connect any whirlpool bath, steam shower, or hot tub to household power
Ground	Creates the path of the least resistance for electricity and serves as a backup for the neutral wire
GPM (Gallons per Minute) (USA)	Measure of flow rate
Heater	Electrical resistance device containing the heating element
Hz (Hertz)	The unit of measure of impedance, equaling the number of cycles per seconds of electrical flow. USA and Canada power is supplied at 60Hz. International power is supplied in 50Hz
Jet	Device that ejects water at an elevated pressure
kW (Kilowatt)	Measure of electrical power (example 1000W = 1kW) defined by the following equation: Watt = Volt x Amp
kWhr (Kilowatt Hour)	Measures rate of power usage over one hour. Power companies charge a certain rate per kWhr (example \$0.15/kWhr)

NEC (National Electric Code) (USA) Universal set of standards governing proper electrical installation

Neutral When measure using a multi-meter will measure 0 to earth ground

NFPA (National Fire Protection Association) (USA) Develops national safety standards for fire protection related to all types of material

Owner's Manual Booklet supplied with each unit containing information about installation, operation, and care of the unit

Pump Electro-mechanical device to move water, consisting of a wet end and a motor

RCD (Residual Circuit Device) Device that disconnects a circuit wherever it detects that flow of current is not balanced between the phase ("hot") conductor and the neutral conductor. Similar to a GFCI in the USA. RCD breakers are used outside the US and Canada

Suction Fitting Located at the bottom of a hydro massage tub, used to return water back into the pump. Must be installed before use of a hydro massage bathtub and correctly working at all times

TUV Independent testing laboratory for Germany and European standards

UL (Underwriters Laboratory) (USA) Nationally recognized testing laboratory that develops standards for safety for various products

120@60Hz VAC (USA) Most common residential voltage. VAC delivered to customers using three conductors with the following color code and voltage:

Line (L) = 110-120 VAC (Black or "Hot")

Neutral (N) = (White)

Ground (G) = (Green)

220@60Hz VAC (USA) Required voltage for large ampere equipment such as residential electric ovens, electric water heaters, and hottubs. Some large appliances require the use 110VAC for control or other peripheries in this case a neutral is required

Line (L1) = 110-120 VAC (Black or “Hot 1”)
Line (L2) = 110-120 VAC (Red or White or “Hot 2”)
Ground (G) = (Green or Bare wire)

230 @50Hz VAC (International) Most common residential voltage in Europe and other countries outside of the US and Canada. VAC is delivered to customers using three conductors with the following color code and voltage:

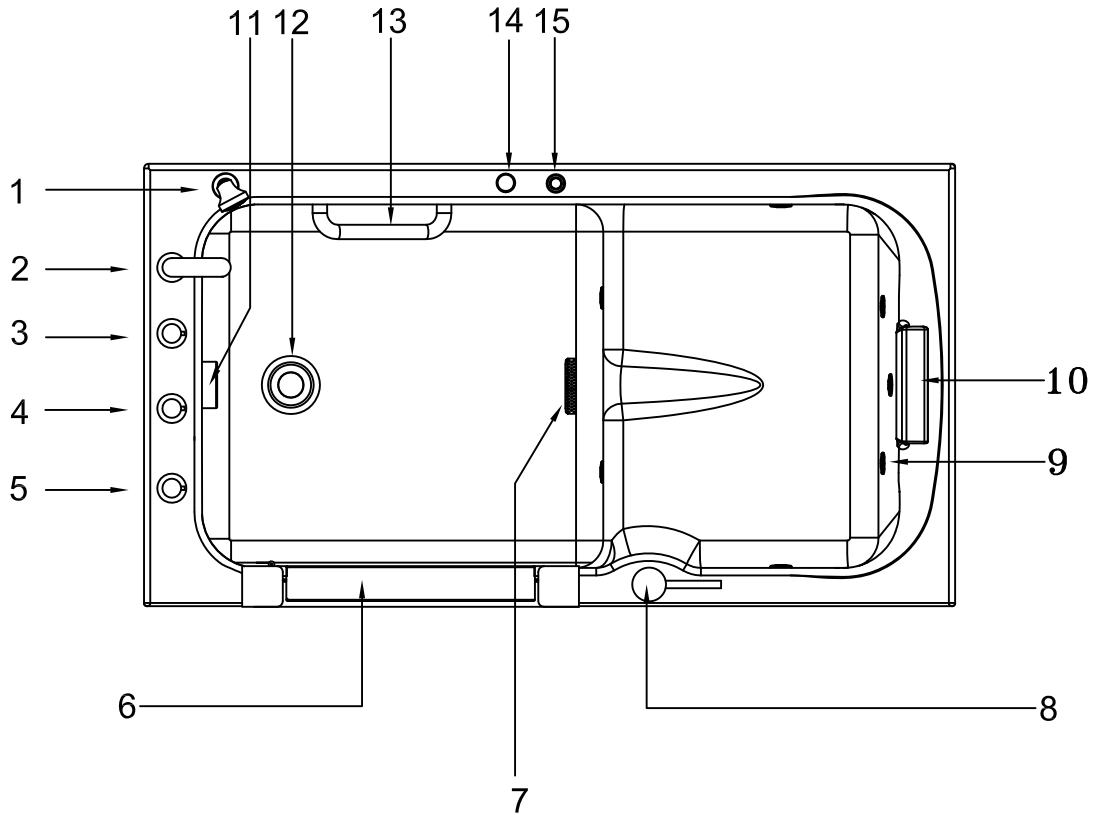
Line (L) = 230 VAC (Brown)
Neutral (N) = (Blue)
Ground (G) = (Yellow/Green)

VAC Voltage for Alternating Current

VDC Voltage for Direct Current

Wire Gage Actual diameter of bare wire only, measured in American Wire Gage (AWG) units ranging from 30 to 00 (AWG). The larger the gage number, the smaller the wire diameter. International wire size units are measured in square millimeters

FEATURES



Form of function:

- 1. Shower Head
- 2. Tub Spout
- 3. Diverter
- 4. ON/OFF valve
- 5. Thermostatic valve
- 6. Door
- 7. Suction
- 8. Lock

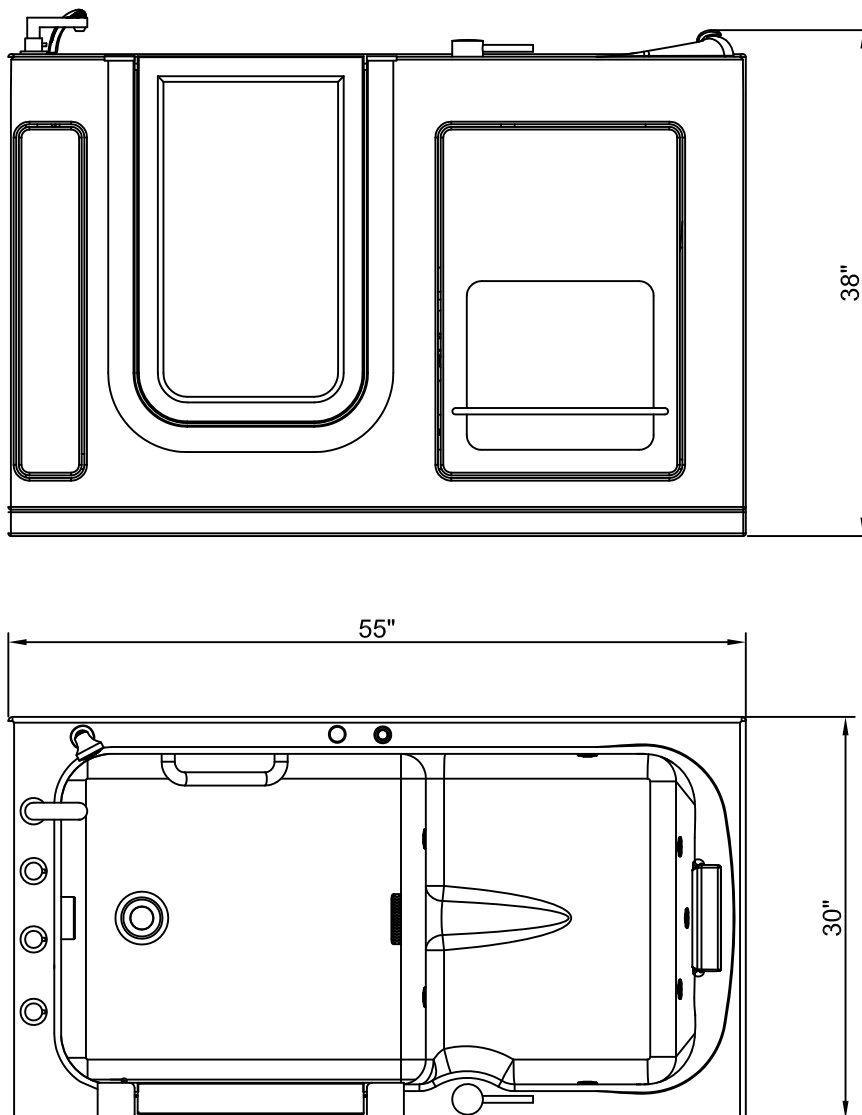
- 9. Whirlpool Jets
- 10. Pillow
- 11. Overflow
- 12. Drain
- 13. Grab Handle
- 14. Air Control Knob
- 15. Jet on/off Button

Item	Description
Faucet	Used to fill water into the tub (controlled by the diverter)
Diverter	Used to select between the tub faucet and shower wand
Shower Wand	Shower function (control by diverter)
Cold/hot water valves	Feeds cold and hot water to diverter
Door	Entry point for the user
Suction	Return for the jet pump
Lock	To control the door open/close, turn the lock clockwise to close the door, turn the lock counter clockwise to open the door
Jets	Water Comes out from the Jets by running the jet pump
Masage Jet Switch	Used to turn on and off the jet pump
Grab Handle	To Keep the user from sliding or slipping
Overflow drain	Prevents the tub from over filling

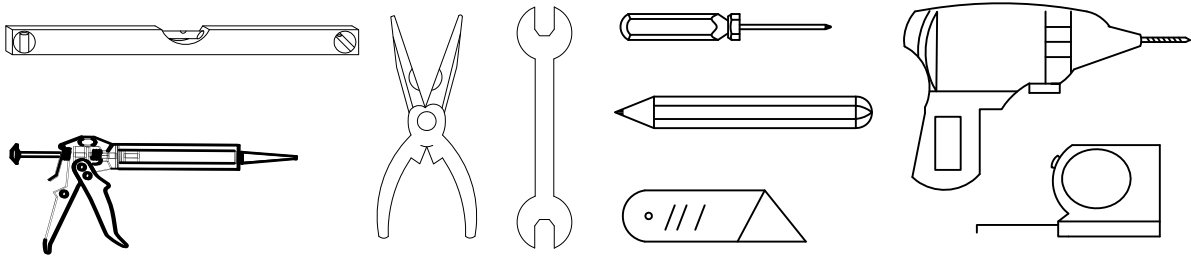
Installation Guide

Please read and follow the installation instructions and guidelines in this section. Failure to follow the recommended instructions and installation techniques may lead to possible damage to the unit or the surrounding area and can affect warranty claims.

ATTENTION: This unit requires assembly. A minimum of two people are required for assembly, as several of the sections can be large and unstable until assembled.



You will need the following tools:



- Drill with screwdriver attachments
- Caulk gun
- Level (3 foot or longer is recommended)
- Tape measure
- Phillips head screw driver
- Bathroom rated silicone sealant

Items required but not supplied

- Supply line connection fittings standard male 3/8" compression threads
- 1.5" PVC elbows
- 1.5 PVC pipe
- 1.5" to 2" reducer if the floor drain is 2" pipe

Plumbing Requirements:

- Water Pressure: 40-60 psi for both hot and cold supply the higher is better with a max pressure of 80 psi
- For hose connections male 3/8" compression fittings threads

Electrical Requirements

- Installation by a Licensed Electrician
- 15 Amp service, 110-120 VAC @ 60Hz
- GFCI breaker required

Installation

Install your unit according to the directions in this section in the order presented.

Step 1 Remove Access Panel for installation

A small access panel is located under the faucets use a flat head screw driver at the bottom on the panel to remove.

Located under the door handle is a large access panel, left up on the shelf bar to remove not tools are needed.

Optional Side panel (Feature varies by model)

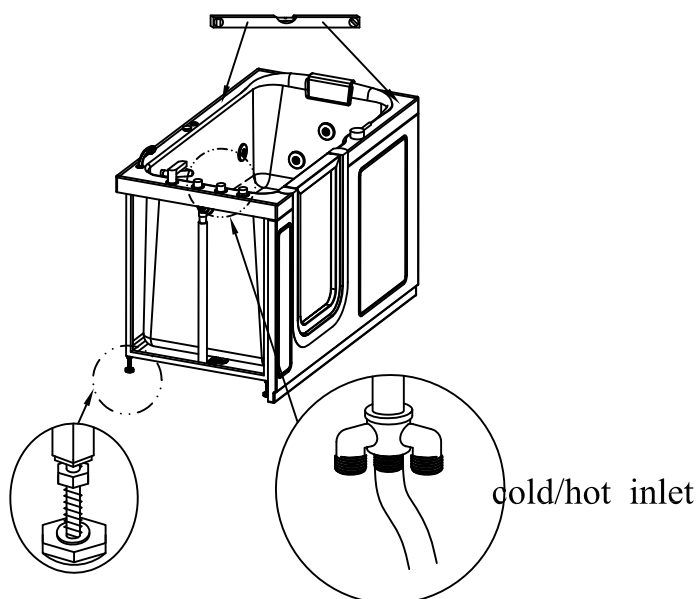
Units that are intended to be installed in a corner or free standing may have an optional side panel installed.

Remove the panel with the use of a flat head and Phillips screw driver. Use the flat head screw driver to remove the decorative cover, then using the Phillips screw driver remove the screws holding the panel in place.

Note the direction and location of each panel removed.

Step 2 Level the whirlpool bath for proper drainage

The walk-in bath tub is constructed with several leveling feet. Each foot has a locking nut. Use an adjustable wrench and level to complete this next step.



1. Loosen all of the locking nuts so that the leveling feet are free and easy to move.
2. Place the walk-in bath tub into the exact final installation location or a flat surface.
3. Place the level across the top of the walk-in bath tub (side to side) and level the walk-in bath tub by adjusting the leveling feet.

NOTE: You may need to remove the whirlpool bath in order to adjust the leveling feet, but always recheck the level with the unit in the final installation location.

4. Place the level across the top of the base (front to back) and level the base by adjusting the leveling feet.

WARNING: Failure to apply proper pitch or grade for drainage can cause leaking and/or flooding of the area surrounding the unit.

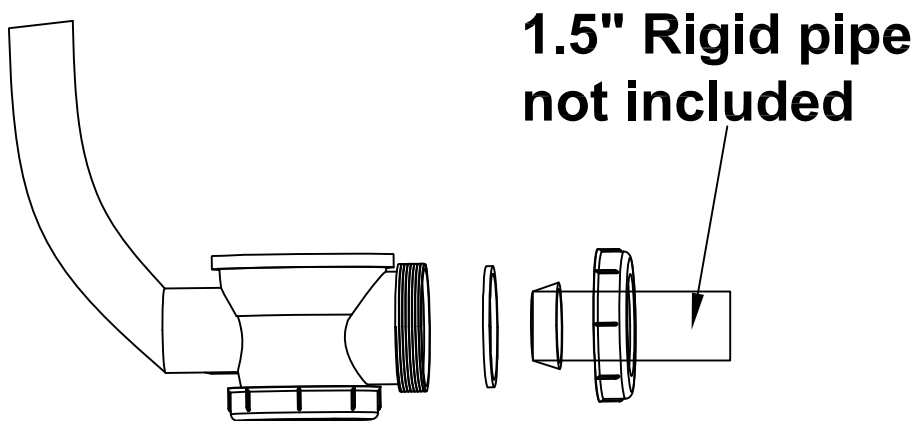
5. After making all the leveling adjustments ensure that all leveling feet (including center foot) are in contact with the floor. To ensure the unit is supported, stand in the walk-in bath tub in several places looking for any movement and adjust as needed.
6. After ensuring all leveling feet are in contact with the floor, tighten the locking nut on each leveling foot ensuring that all leveling feet are secure.
7. Once all the leveling feet are secure, place the walk-in bath tub back into the final installation location and verify all the leveling adjustments remain as before. Adjust as needed.

Step 3 Drain connection

The walk-in bath tub comes equipped with a factory installed drain and overflow.

Please see the Drain diagram.

DRAIN



Please see the diagram of the installation of the pipe adaptor.

IMPORTANT: The location of the pipe adaptor cannot be rotated as the drain is sealed to the bottom of the walk in tub. Additional fittings and piping are required to connect the tub drain with the floor drain.

Step 4 Water supply connections

The input for the “hot” and “cold” water supplies are located on Thermostatic faucet - each location is labeled with a red or blue sticker.

Two flexible connection hoses have been provided to make the supply connections. The hoses use 3/8” compression fittings for connection.

We recommend you install disconnect valves on your supply connections for the supply “hot” and “cold” to aid in any needed future service of the unit.

Using the flexible line make the supply “hot” and “cold” connections

Step 5 Electrical Connection

The unit **MUST** be connected to a GFCI protected circuit.

The unit comes equipped with a 3 foot pig tail with flying leads.

Connect these leads a junction box that is connected to GFCI protected circuit.

Step 6 Install the walk-in tub skirt

Replace all of the removed access panels

Operation

Before operating this unit ensure you have read and understand all of the warnings and safety statements in this manual. If you do not understand any of these warnings or statements, please contact your dealer or the manufacturer for an explanation.

WARNING: Never let children use this unit unsupervised.

This section describes the components of your unit and how to operate them.

Door operation

WARNING: The door must be fully closed and secure before filling the tub otherwise leaking may occur causing flooding or damage to the location.

- The door lock handle is located on the top of the unit.
- To open the rotate the handle counter clockwise to release the door
- To close and lock the door rotate the handle clockwise to secure

Diverter valve

The diverter valve is used to control the flow of water to the following devices:

- The overhead shower
- The body jets
- The shower wand

To operate the diverter valve rotate to the device you wish to use you will feel a click for each location.

ON/OFF Valve

The valve will turn the water ON or OFF for the Walk in Tub. You can also adjust the water flow between full ON and the OFF position.

Turn the valve to the ON position to send water to your selected device. Return the valve to the OFF position to stop the flow of water.

Thermostatic faucet

The unit is equipped with a thermostatic faucet for setting the mix between hot and cold water. The temperature markings are for reference only as the unit does not elevate the water temperature beyond the temperature of your hot water heater.

Functions

Filling the Tub

WARNING: The door must be fully closed and secure before filling the tub otherwise leaking may occur causing flooding or damage to your location.

1. Close the floor drain by pressing closed.
2. Ensure the tub drain is closed.
3. Rotate the Diverter valve to the tub fill position
4. Rotate the On/Off valve water will begin to flow.
5. Set the thermostatic faucet to your desired temperature
6. The tub is equipped with an overflow drain to prevent overfilling the tub.
7. Turn Off the water flow when the desired water level is reached.

Draining the Tub

The tub is drained by gravity the large drain open will drain the tub quickly.

You have 2 options to drain the tub:

1. Rotate the Overflow cover counter clockwise to open the drain.
2. Using the auxiliary Drain Chain lift up the drain cover.

Shower wand

The tub is equipped with a hand held shower wand to aid in the bathing and cleaning of the unit.

1. Ensure the tub drain is closed.
2. Rotate the Diverter valve to the Shower wand position location
3. Rotate the On/Off valve water will begin to flow.
4. Set the thermostatic faucet to your desired temperature
5. Turn Off the water flow when complete.

Massage Jet operation

WARNING: The use of the massage jets will create a lot of water movement please ensure that user is prepared for the force of the water action.

Set the thermostatic faucet to your preferred temperature and your unit will operate at this same temperature with each use unless you change the setting.

To operate the faucet, press the “release” button and turn it in the direction of your desired temperature.

Tub Faucet

1. Rotate the diverter valve to the Tub faucet position.
2. Turn the ON/OFF valve to the “ON” position.
3. Set the thermostatic valve.
4. When finished, rotate the ON/OFF valve back to the “OFF” position.

Shower wand

1. Rotate the diverter valve to the shower wand position.
2. Turn the ON/OFF valve to the “ON” position.
3. Set the thermostatic valve.
4. When finished, rotate the ON/OFF valve back to the “OFF” position

IMPORTANT: The tub must be filled until the water line is above the top jets otherwise water will spray outside of the tub.

WARNING: The jet pump will not operate unless the tub is filled with water to least above the suction covers located at the bottom of the tub. This is a safety feature running the jet pump with out water will damage the pump and void the warranty.

Fill the tub until the water line is above the top jets. See the “Filling the Tub” section to learn more on the filling of the tub.

Press the Jet pump button located on the side of the tub. Water will begin to flow from the jets.

Press the jet pump button again to turn Off the jets.

Care and Maintenance

As with any other luxury item, maintenance and care are critical to the long lasting quality and enjoyment of your walk-in tub. The proper care and maintenance outlined in this section are necessary to ensure the longevity of the unit. Damage caused by not following the care and maintenance guidelines in this section is not covered under the manufacturer's warranty.

The unit is constructed from high quality acrylic and with proper care, the unit will maintain its nice look and finish.

IMPORTANT: Never use an abrasive cleaner such as Comet or Ajax to clean the acrylic surface. These cleaners will scratch the surface and dull the finish. In addition, do not use any of the following products to clean the acrylic surface:

- Acetone
- MEK
- Mineral spirits
- any other solvent based cleaner

You can clean the acrylic surface with a mild non-abrasive cleaner such as Soft Scrub or other cleaning products formulated for acrylic surfaces.

You can buff and polish the acrylic surface using any good polishing compound such as Maguire's #10 Mirror glaze, toothpaste, or automotive polishing paste. Using these types of products will help maintain the shine and luster of the acrylic surface.

If you happen to discover any small minor surface scratches in the acrylic you can use 600# grit wet sand paper to lightly buff out any scratches, and then use a surface polish to restore the shine and luster.

For deep scratches or chips where material has been removed, purchase an acrylic repair kit, which is available through hardware stores and home centers. Read and follow all of the instruction contained in the kit.

Based on your water chemistry it may become necessary to clean the shower wand due to hard water buildup of calcium, lime, or rust.

To clean shower wand :

Soak the head of the shower wand in a mild solution of 50/50 water and vinegar or CLR.

To clean the jets:

Rotate counter clockwise to remove the jet face and internal nozzle clean by soaking in a mild solution of 50/50 vinegar or CLR.

Troubleshooting

Symptoms	Possible Causes	Solutions
No power to unit	<ol style="list-style-type: none"> 1. Pump not plugged in 2. GFCI Breaker tripped 3. No power to GFCI 	<ol style="list-style-type: none"> 1. Verify and check all power connections 2. Unit MUST be connected to a GFCI Breaker 3. Verify power to GFCI outlet
No water from shower wand	<ol style="list-style-type: none"> 1. Incorrect diverter position 2. Incorrect plumbing 	<ol style="list-style-type: none"> 1. Verify you have the diverter setting on the Showerhead location 2. Verify all plumbing connection 3. Verify all water supply valves are open
Bath tub Fill not working	No water from the bath tub fill spout	<ol style="list-style-type: none"> 1. Divert MUST be located on the Showerhead location. 2. Verify all plumbing connection 3. Verify all water supply valves are open
Whirlpool jets not working	<ol style="list-style-type: none"> 1. Not enough water in the tub 2. No power to the jet pump 3. Air button tubing broken or not connected 	<ol style="list-style-type: none"> 1. Water level must be above the suction cover in order for the whirlpool jets to operate. 2. Verify all power connections and voltage to the pump 3. Check the air tube between the button and pump
Door seal leaking	<ol style="list-style-type: none"> 1. Door not closed and locked 2. Damage to door seal 	<ol style="list-style-type: none"> 1. Verify door is closed and locked 2. Contact dealer or manufacture

Warranty

PLEASE READ THESE WARRANTY TERMS AND CONDITIONS CAREFULLY BEFORE USING YOUR ASTON GLOBAL BATHROOM PRODUCT. BY USING THE PRODUCT, YOU ARE CONSENTING TO BE BOUND BY THE FOLLOWING WARRANTY TERMS AND CONDITIONS.

Aston Global Inc. Limited Lifetime Warranty Walk in Tub

Aston Global Inc. ("Aston Global") extends the following non-transferable limited warranty (the "Warranty") for its bathroom products ("Product" or "Products") solely to the original purchaser (the "Owner" or "Customer") of the Product from Aston Global or an authorized reseller. Proof of purchase is required to exercise this Warranty. The Warranty begins on the date of purchase either from the Aston Global warehouse location or an authorized reseller's location.

Limited lifetime warranty for door seal only. This limited lifetime warranty only applies to the walk in tub door seal only including but not limited to the rubber seal against failure due to materials or workmanship for the life of the product. The warranty will remain valid as long as the door alignment is not changed by incorrect installation, improper use or applying pressure due to the user's weight while entering or exiting the tub. The door is not a handle and not designed to support the full weight of the user operating the door in this manner will void the warranty. The Limited lifetime warranty does not apply to jets, fittings, tubing, clamps, thermostatic valve, diverter valve, shower wand and shower wand hose, typical wear items due to daily use such as o-rings, washers and gaskets.

3 year limited parts-only warranty. This warranty applies to all plumbing components, including jets, tubing, fittings, shower wand, shower wand hose and supplied connection hoses. Only the plumbing fixture components such as faucets, diverter valves and Thermostatic valves will be replaced, not the entire fixture items. Included are valve cartridge, check valves and knobs. Aston Global warrants the listed items to be free from manufacturing and material defects for the period of the warranty stated. Typical wear items due to daily use such as o-rings, washers and gaskets are not covered by this 3 year limited parts warranty.

If a part is determined to be covered by the above Warranty, Aston Global will ship the replacement part to Customer by either ground shipping or US postal service. Increased costs for expedited delivery, if requested by Customer, are the responsibility of Customer.

Parts not currently in stock may require up to a 6 week delivery time after placement of order.

Limitations, Exceptions and Disclaimers

All Products are for indoor use only; installation outdoors or any other non-standard bathroom location will void the Warranty.

All Products are intended for single-family residential use only. Use of a Product or Products in any non-residential, non single-family setting, including but not limited to Rental, Commercial or Institutional Properties (as defined below) will void the Warranty except upon the written approval of Aston Global Inc for use in these institutions.

- Rental Property: any property rented for profit.
- Commercial Property: hotel/motel units, apartment buildings, multi-family dwellings, health clubs/fitness centers, nail salons, beauty/spa centers, time shares, bed and breakfast inns, private clubs or lodges, and the like.

- Institutional Properties: hospitals, nursing homes, assisted living centers or communities, and the like.

The Warranty does not cover neglect, misuse or abuse, non-authorized modification, poor installation, accidents, normal wear and tear, Acts of God, excessive heat or other causes beyond the control of Aston Global.

The Warranty does not cover reimbursement of any labor costs incurred in the removal, disassembly, reassembly, or installation of the Product(s), including replacement Products issued under the Warranty.

Aston Global will not be liable for any injuries to any person sustained during the delivery, installation or repair of its Products.

Aston Global will not be liable for and will not reimburse any damages to property resulting from improper installation or use of the Products, including but not limited to flooring, subfloor, tile, walls, sheet rock, concrete board, paint, plumbing fixtures and ceilings.

The Customer accepts any and all responsibility for repair or replacement of any component on the Product.

Limitations

THIS LIMITED WARRANTY TAKES THE PLACE OF ALL OTHER WARRANTIES, EXPRESS OR IMPLIED, IN FACT OR AT LAW, INCLUDING BUT NOT LIMITED TO IMPLIED WARRANTIES OF MERCHANTABILITY AND FITNESS FOR A PARTICULAR PURPOSE. NO DEALER, DISTRIBUTOR, SERVICE COMPANY OR OTHER PARTY IS AUTHORIZED TO CHANGE, MODIFY OR EXTEND THE TERMS OF THIS WARRANTY IN ANY MANNER WHATSOEVER.

Disclaimers

Aston Global and its representatives shall not be liable for any injury, loss, cost or other damages, whether incidental or consequential, arising out of any defect covered by this Limited Warranty including and without limitation, loss of use of the Product and cost for removal of defective Product, even if Aston Global has been advised of the possibility of such damage. The liability of Aston Global under this Warranty, if any, shall not exceed the original amount paid for the Product covered by the Warranty. Coverage under this Warranty shall commence as of the original date of purchase and the duration of such coverage shall not extend for any reason whatsoever beyond the stated time period. The Customer is required to provide adequate access to the Product for any repair or inspection. Aston Global shall not be liable for expenses or damage which may include but are limited to water damage, removal of any and all common building product such as tile, flooring, wood, sheet rock, plumbing fixtures, concrete board, vanities, bathtubs and toilets or any other custom items.

Legal

This Warranty gives you specific legal rights. You may also have other rights which vary from state to state. Some states do not allow limitations of implied warranties, so some limitations may not apply to you.

Aston Global offers free phone support for the life of the Product to the original Owner, which is non-transferable.



Customer Service
877-424-9699

Aston Global Inc
10480 Brockwood Road
Dallas, TX 75238

If further assistance is needed, or you
have a question, please visit our web
site at:

www.astonbath.com