

CLASSIC SERIES T208HW



FEATURES

Heavy-duty construction

Large-capacity stainless steel drum

Butterfly™ drying system

Soft Drum™ technology

LCD display

Quiet operation—65 dB(A)

Auto program

Remaining time and program end indicator

Stacked or side by side installation

Stack kit included

HIDDEN HELPERS™ ACCESSORIES

Retractable ironing board system

Single and double retractable shelves

Pull-out utility basket

Platform

Accessories available through an authorized Asko dealer. For local dealer information, visit the where to buy section of our website, askona.com.



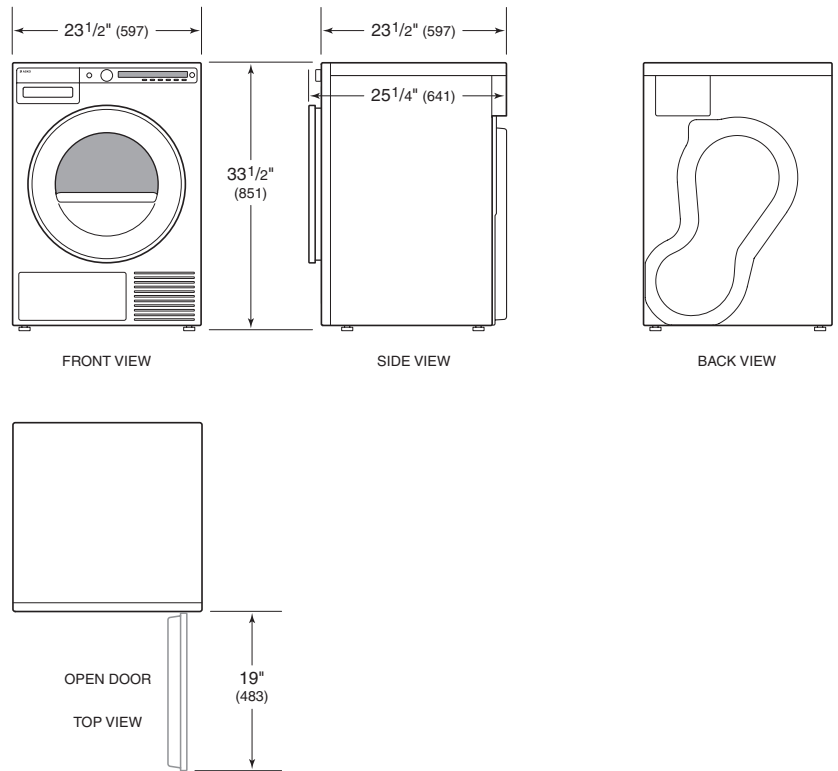
PROGRAMS

- Auto Extra Dry
- Auto Dry
- Auto Normal Dry
- Auto Iron Dry
- Synthetic
- Bedding
- Silk/Wool
- Quick Pro
- Time
- Airing

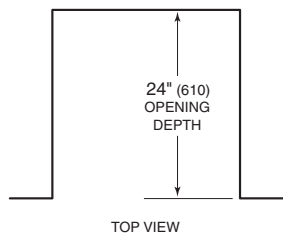
PRODUCT SPECIFICATIONS

| | |
|--------------------|--------------------------------|
| White | T208HW |
| Dimensions | 23 1/2"W x 33 1/2"H x 23 1/2"D |
| Door Clearance | 19" |
| Door Swing | Right-Hinge |
| Weight | 126 lb |
| Drum Capacity | 4.1 cu ft |
| Electrical Supply | 240/208 VAC, 60 Hz |
| Electrical Service | 30 amp circuit |
| Receptacle | NEMA 14-30R grounding-type |
| Power Cord | 4' |

DIMENSIONS

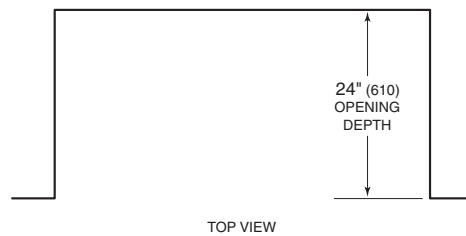


INSTALLATION

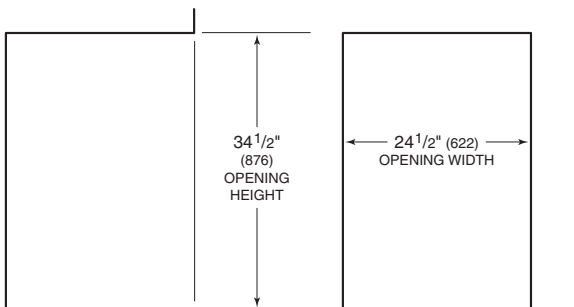


TOP VIEW

INSTALLATION WITH WASHER

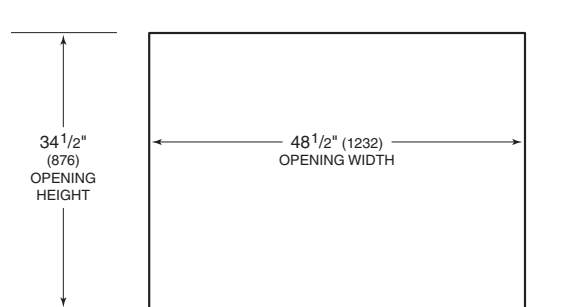


TOP VIEW



SIDE VIEW

FRONT VIEW



FRONT VIEW

NOTE: Dimensions provide minimum reveals.