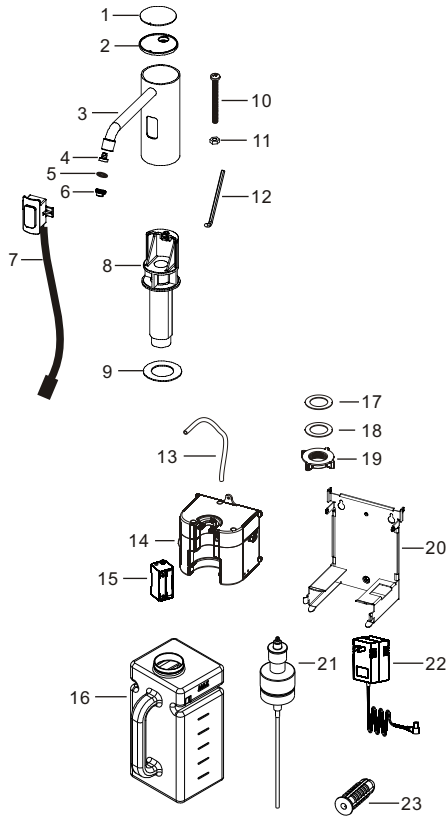


FOR MODEL No's: 0335-S & 0335-B INSTALL & OPERATE INSTRUCTIONS

1. SPECIFICATIONS:

Automatic Sensor Detection Range {inches (mm)}	4-3/4 ± 1-1/2 (121 ± 38)
Battery Type Required	Alkaline (1.5V) AA size, Qty 4 (batteries not included)
Battery Life (estimated)	20,000 cycles or 1 year
Dispensing Volume/Weight {fl oz (ml) / oz (gm)}	0.02 ~ 0.026 (0.6 ~ 0.8) / 0.33 ~ 0.4 (2.4 ~ 2.9)
Dimensions Spout (W x H x D) {inch (mm)}	1-1/2 x 3-53/64 x 5-23/64 (38.1 x 97.1 x 136.1)
Dimensions Pump (W x H x D) {inch (mm)}	4-5/8 x 12-1/4 x 5-1/16 (117.4 x 310.4 x 129.2)
Operation Mode	Automatic from Sensor Trigger
Sensing Delay Time (msec)	500 ~ 1k
Room Temperature {°F (°C)}	41 ~ 104 (5 ~ 40)
Supply Reservoir Type {fl oz (ml)}	Reusable, Replaceable 50.7 (1500)
Soap Acidity/ Alkalinity Range (pH)	5.5 ~ 8.5
Soap Viscosity {cP (mPa·s)}	1-100
Spout Finishes Model Number suffix Codes	B = Bright ; S = Satin
Unit Net Wt (empty) & Shipping Wt {lb(kg)}	2.49 & 3.21 (1.13 & 1.46)

2. ITEM LIST:

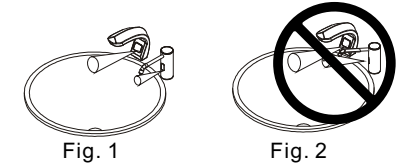
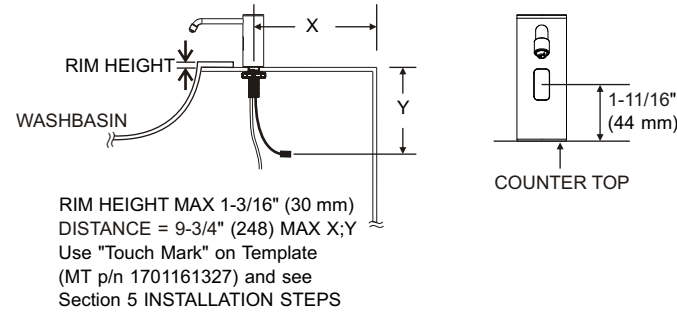


No.	Description	Qty.
1	ASI Logo Plate (Items 1-B or 1-S, for Finish)	1
2	Top cover	1
3	Spout Assembly (Items 3-B or 3-S for Finish)	1
4	Elbow connector	1
5	O-ring	1
6	Nozzle Tip with Net Outlet	1
7	Sensor Assembly	1
8	Mounting shaft	1
9	Rubber washer (for vanity top)	1
10	Screw	1
11	Hex nut	1
12	L key	1
13	Soap rubber tube	1
14	Control box assembly	1
15	Battery box (batteries not included)	1
16	Soap tank	1
17	Rubber washer (for vanity bottom)	1
18	Nylon washer	1
19	Basin Clamping Nut	1
20	Base plate	1
21	Foam soap pump	1
22	AC Adapter (sold separately, part# 72-ACA)	1
23	Plastic Anchor	3
24	Mounting Screw	3

3. BEFORE INSTALLATION (See also Installation Mounting Template 1701161327) READ THIS INSTRUCTION SHEET COMPLETELY BEFORE STARTING INSTALL and RETAIN for future reference:

1. Provide horizontal and flat, clean and smooth mounting surface for Spout base plate. (Item 3)
2. Make sure there is enough room around spout to adjust position for final assembly and make sure there is adequate space to place pump-control-tank module under vanity within reach of Sensor Assembly Cable and Soap Supply Tube. See Fig. 2 in Section 5.
3. Ensure there are no obstructions in front of unit in sensor zone.
4. Check operation of unit while holding in place by hand **BEFORE** permanent installation.

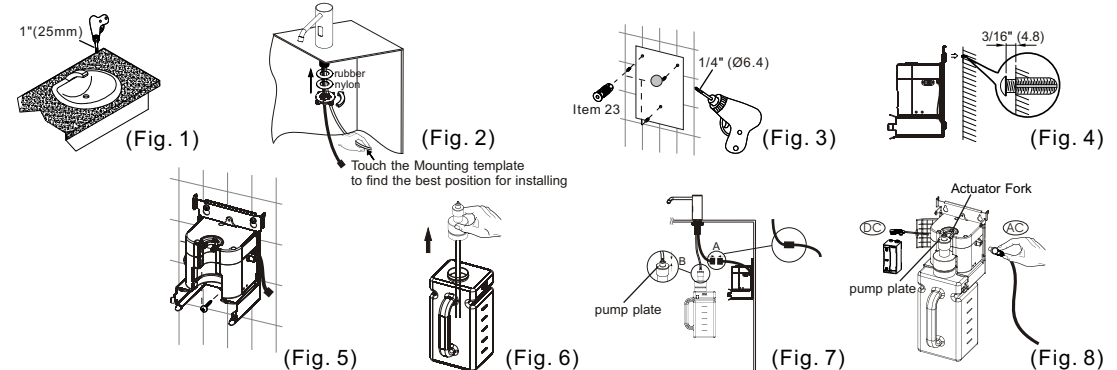
4. RECOMMENDED INSTALLATION, SPOUT:



Install the spout with the sensor facing forward, (Fig. 1) and/or ensure there is no interference in the path of the sensor. When installing the spout near a sensor activated faucet, ensure the path of the sensor on each unit does not intersect each other (Fig. 2).

5. INSTALLATION STEPS, Pump-Control-Tank Module

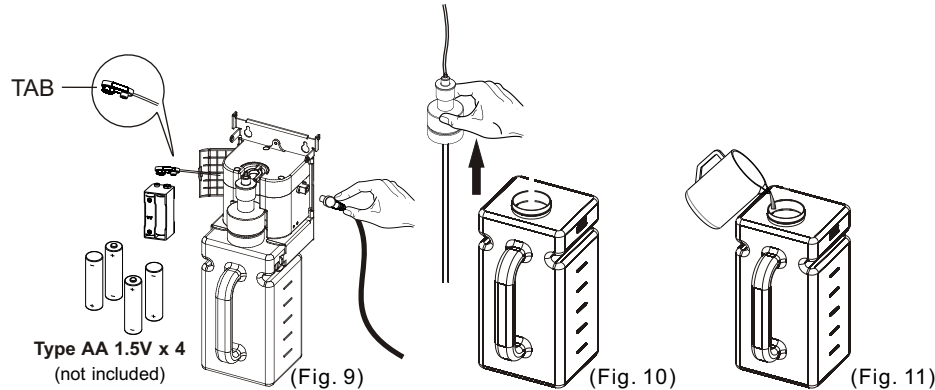
1. Drill a 1" diameter (Ø25mm) hole in the counter top after checking for appropriate clearances under the vanity (see Fig. 1 and Fig. 2).
2. Put the soap dispenser with rubber washer (item 9) through the hole in the Counter Top (Fig. 2). Place the rubber washer & nylon washer (items 17 & 18) on the thread on the shaft under the vanity. Use the Basin Nut (Item 19) to fasten the soap dispenser to the basin.
3. Tape the installation mounting template (1701161327) at the appropriate location on the mounting surface.
4. Drill three (3) 1/4" diameter (Ø6.4 mm) holes at marked locations on mounting template.
5. Insert three (3) plastic anchors (supplied) into drilled holes (Fig. 3); remove template.
6. Insert two (2) screws (supplied) into top plastic anchors and leave 3/16" (4.8 mm) space from the wall under head (Fig. 3 & Fig. 4) for hanging dispenser.
7. Hang the dispenser on the two (2) screws through the keyhole slots at backplate top.
8. Pull the tank and pump assembly forward to remove and retain (Fig. 6). Remove Soap Pump to fill or re-fill (see also Fig. 10)
9. Lock dispenser to wall with remaining one (1) screw (supplied) through the hole at backplate bottom. Tighten all screws (Fig. 5).
10. Connect the wire of the soap dispenser to the wire of the control box assembly. Connect the tube of the soap dispenser to the connector on the soap pump (Fig. 7). Ensure the hose barb connector pump plate is fully engaged on the pump O-ring post.
11. Push the soap tank into the track. Make sure the soap pump plate is under the Actuator Fork before reinserting the soap tank, so the pump will cycle properly. Plug-in an AC adapter or battery box to supply power. (Fig. 8)



6. OPERATION INSTRUCTIONS

A. Service Instructions

1. Open cover on control box assembly, remove battery box and unplug cable. Install four (4) new Alkaline Type AA 1.5V batteries(not included) with correct polarity (note the +/- indication) to obtain 6V DC \pm 10% at the plug (Fig. 9) into battery box. Alternatively, plug AC adapter (sold separately, part# 72-ACA) into connector provided on side of control box assembly (Fig. 9). DO NOT use batteries & AC adapter simultaneously. Malfunction/Damage will occur.
2. Reinstall battery box into control box assembly .
3. Take the soap tank out of the dispenser. Twist and pull to remove the soap pump to refill the soap (Fig. 10).
4. Do not exceed the MAX level indicated on the soap tank. Place the soap pump and the soap tank back into the dispenser (Fig. 11).
5. Trigger the sensor with hands or a towel to check proper soap dispensing cycle.

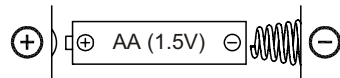


B. User's Instructions

1. Place hand below the dispenser spout within the sensing range. The dispenser will automatically release the preset amount of Foam soap from the nozzle spout.
2. Obtain additional soap by withdrawing hand and then again placing hand below the dispenser spout within the sensing range.

7. INSTALLATION STEPS CHECK

1. Check to ensure that dispenser is firmly attached to mounting surface.
2. Check to ensure that correct soap matching the specifications in Section 1 (on opposite side of this sheet) is filled into reservoir.
3. Check to ensure that soap container cover is closed and valve is properly seated on neck connection, that soap tube is properly connected to actuator plate-tube connection and that actuator plate is under the actuator fork.
4. Check to ensure that soap container is clean (no spill-over) and not leaking.
5. Check to ensure that four (4) new Alkaline Type AA batteries (not included) are installed with correct polarity (note the +/- indication, Fig. 9, and below, typical) **OR** AC adapter (sold separately, part# 72-ACA) is plugged into jack and has power. NEVER install both an AC adapter and batteries simultaneously.
6. Check to ensure that the battery box plug is properly engaged with the cable and the compartment door is closed **OR** that the battery box connector is left NOT engaged and the AC adapter plug is fully inserted into the RH side jack.
7. Check to ensure that the LED will illuminate constant red for two seconds and then check that triggering the sensor produces pumping action by the dispenser.



Caution : Batteries installed with incorrect polarity may cause malfunction.

8. SENSING RANGE

Sensing is automatically controlled to set the appropriate distance for the triggering zone. This is based upon mounting height above the counter and the ambient and reflected lighting conditions. There are no user adjustable controls for this feature. It is important to observe the guidelines in Section 4 (on reverse side of these instructions) and install unit to avoid false or inadvertent triggering from near-field obstructions and environmental conditions. Orientation of spout to avoid "seeing" faucet running water and the arm or shirt cuff of a user will provide a more satisfactory experience for the user.

9. IMPORTANT NOTICE

1. Ensure no bright source is aimed or reflected at the sensor.
2. Use fresh new liquid soap only and clean the soap container properly before each re-fill. Deposits of old soap will lead to malfunction and jamming.
3. Do not dilute liquid soap unless concentrate **DO NOT** use soap containing abrasive. Observe indicated viscosity factor of liquid soap.
4. Do not immerse the soap dispenser in water or clean it under running water. This will lead to short circuit.
5. Should the dispenser be out of order and batteries have been replaced, do not attempt any repair work. Call your dealer for professional assistance.

10. CLEANING AND MAINTENANCE

DO NOT use steel wool or cleansing agents containing alcohol, acid, abrasives, or the like. Use of any cleaning or maintenance products containing these substances could damage the finish of the soap dispenser. For surface cleaning, use ONLY mild soap and water on a wet cloth, then wipe dry with a clean cloth or towel. When cleaning bathroom tiles or counters, protect the soap dispenser from any splattering of harsh cleansers.

11. TROUBLESHOOTING

Problem Symptom	Solution Diagnostic
Unit does not respond at all or has delayed response	<ul style="list-style-type: none"> • Check all connections • Clean any dirt/smudges from sensor • Remove any obstructions near or in front of sensor • Replace batteries • If using AC adapter, make sure it is plugged into outlet completely and that adapter is supplying correct power (see sections 1, 6, 7).
Unit activates, but no soap is dispensed	<ul style="list-style-type: none"> • Check soap qualities, properties and level in reservoir • Check spout nozzle, soap supply tube, and valve pump for clogs
LED indicator blinking red	<ul style="list-style-type: none"> • Replace batteries soon.
LED indicator blinking green	<ul style="list-style-type: none"> • Refill soap.
LED indicator steady green	<ul style="list-style-type: none"> • Wrong type of soap used (liquid soap used in foam pump).
Low volume soap dispensed	<ul style="list-style-type: none"> • Remove soap container and wash out spout nozzle, and valve pump and replace with fresh new soap
Soap leaks at bottom of housing	<ul style="list-style-type: none"> • Check if valve pump is not properly seated on connector neck of reservoir or reservoir is damaged/punctured or top plate connector or soap tube is damaged or not connected properly, or valve pump body is damaged.