

AR016-D8

Premium 16 Gauge 304 Stainless Steel Single Bowl Undermount Sink

Model: AR016-D8

Dimensions

- Overall Size: 16 1/16" x 14 1/8"
- Bowl Size: 14-1/8" round x 8" D
- Drain Opening: 3 1/2"

Optional Accessories

- Sink Strainer

Features

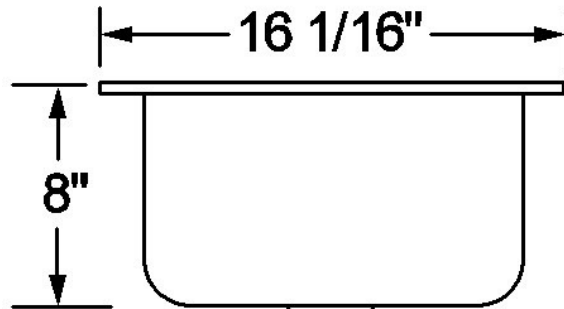
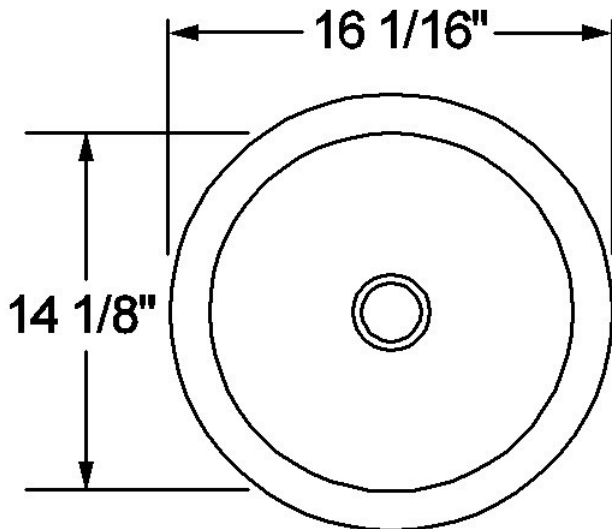
- Heavy 16 gauge 304 stainless steel
- Proprietary V-Therm Shield™
 - Provides superior sound deadening and thermal retention.
- High luster brush satin finish
- Stain and corrosion resistant



Sink Strainer
Optional



Complies with ASME A112.19.3-2000



Product Specification

The undermount sink shall be 16 1/16" in length and 14 1/8" in width. Sink shall be made of 16 gauge stainless steel. Sink shall have brushed finished rim. Sink shall be a round single bowl. Sink shall be an Artisan model AR016-D8.