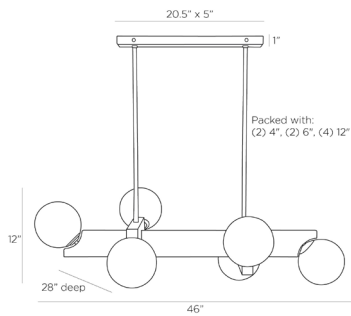


ARTERIOS

TALLOW CHANDELIER



DRC02
 H: 17 IN, W: 46 IN, D: 28 IN
 English Bronze
 Contract Suitable As Is

The graphic Tallow chandelier is an attention-getter, forged in an English bronze industrial-style steel beam, with offset frosted glass globes that float around the linear center. The bold chandelier, in English bronze finished steel, features a dual pipe suspension and a linear canopy. Damp-rated, although limited covered outdoor conditions may affect finish.

APPEARANCE

Material Glass, Steel
 Finish Frosted
 Top Coat/Sealant true

DIMENSIONS

Chandelier H: 12 IN, W: 46 IN, D: 28 IN
 Minimum Hanging Height 17 IN
 Maximum Hanging Height 47 IN
 Canopy H: 1 IN, W: 20.5 IN, D: 5 IN

WIRING

Rating UL,EU,SA
 Cord Damp
 Socket 10 FT, Black/White, SVT
 Photographed Bulb 6, Type A - E26
 Medium Clear Tubular Bulb
 Maximum Watt 60
 Voltage 110-120 V

CERTIFICATIONS

Certifications Mexico
 Australia, European Union, United Arab Emirates, United States, Canada

COMPLIANCY

UL/ETL Yes
 CB Yes
 RoHS true

SHIPPING

Shipping Requirements TruckShip
 Product Weight 30 LBS
 Gross Weight 1 40.9 LBS
 Shipping Box 1 H: 41.75 IN, L: 28 IN, W: 12.6 IN

REPLACEMENT PARTS

Replacement Part 1 PIPE-487
 Replacement Part 1 Dim (1) 4", (1) 6", (1) 12"
 Replacement Part 2 CANOPY-633
 Replacement Part 2 Dim 1" x 20" x 4"

CONTRACT

Contract Suitable true