

ASSEMBLY INSTRUCTIONS

ITEM #89022 |Luciano Linear Chandelier

ITEM DESCRIPTION

MATERIAL TYPE: STEEL, LINEN-COTTON FINISH : ANTIQUE BRASS, PURE WHITE
 SOCKET TYPE: E12 BAKELITE SOCKET QTY:5 TOP COAT/SEALANT:
 BULB TYPE: TYPE B BULB WATTAGE: 60W or/CFL 16W or/LED 13W
 ITEM NET WEIGHT: TOP COAT/SEALANT:

UL COMPLAINT

INSTALLATION ENVIRONMENT: SUITABLE FOR DAMP LOCATIONS








NOTE:

*YOUR PRODUCT(S) MAY BE PACKED IN MORE THAN ONE CARTON
 *THIS ITEM MAY REQUIRE PERIODIC TIGHTENING

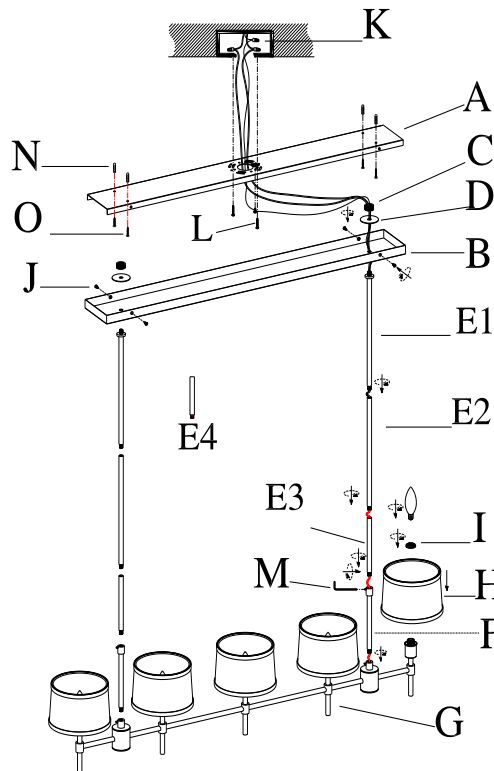
PARTS

A	MOUNTING PLATE	1 PC
B	CANOPY	1 PC
C	SET RING	2 PCS
D	METAL WASHER	2 PCS
E	RODS	8 PCS
F	PIPE	2 PCS
G	MAIN BODY	1 PC
H	SHADE	5 PCS
I	SOCKET RING	5 PCS
J	CANOPY SCREW	4 PCS

INCLUDED ASSEMBLY HARDWARE

K Plastic wire connectors 	L mounting screws 	M allen wrench 
N anchor 	O strengthened screw 	

PRODUCT ASSEMBLY



ASSEMBLY INSTRUCTIONS

- REMOVE ALL PACKING CONTENTS FROM THE CARTON(S) CAREFULLY.
- REMOVE ALL PARTS FROM THE PACKAGE(S) CAREFULLY.
- PLEASE BE SURE YOU HAVE ALL PARTS INDICATED BEFORE YOU BEGIN ASSEMBLY.
- SHUT OFF THE MAIN ELECTRICAL SUPPLY FROM THE MAIN FUSE BOX/CIRCUIT BREAKER.
- REMOVE THE MOUNTING PLATE(A) FROM THE CANOPY(B) BY LOOSE 4PCS CANOPY SCREWS(J).
- SCREW THE PIPE(F) ONTO THE MAIN BODY (G), AND TIGHTEN THE HEXANGULAR SCREW IN THE SIDE DESIRE HOLE BY ALLEN WRENCH(M).
- THREAD THE ROD(E3) TO THE PIPE(E), REPEAT THE SAME OPERATION ON THE ROD (D1) AND (D2)
IF THE CEILING IS HIGH ENOUGH, PLS ASSEMBLE THE ROD(E4) IF NEED.
- PASS THOROUGH THE TOP TOP THREADINGS OF THE ROD(E1) THROUGH THE CANOPY(B), AND TIGHTEN IT BY USING METAL WASHER(D) AND SET RING(C). BE SURE PASS THROUGH THE CORD AS DRAWING SHOW. REPEAT THE ABOVER OPERATIONS(6) AND (7) ON ANOTHER SIDE.
- UNSCREW THE SOCKET RING(I) OFF THE SOCKET. PLACE THE SHADE(H) ON THE SOCKET AND SECURE WITH SOCKET RING(I) TILL TIGHT. REPEAT THE SAME OPERATION ON THE REMAINING 4PCS SHADE.
- CAREFULLY INSPECT THE PENDANT'S FIXTURE WIRES. THE NEUTRAL FIXTURE WIRE HAS VERY FINE RIDGES MOLDED INTO ITS PLASTIC COVERING. THE HOT FIXTURE WIRE HAS A SMOOTH COVERING. THE BARE SILVER WIRE IS THE GROUNDED WIRE.
- ATTACH THE GROUND WIRE FROM THE FIXTURE TO THE GROUND JUNCTION BOX WIRE FROM THE OUTLET (USUALLY GREEN) OR BARE WIRE). FASTEN EACH TOGETHER WITH A PLASTIC WIRE CONNECTOR (K) AND WRAP THE CONNECTION WITH ELECTRICAL TAPE. IF YOUR OUTLET BOX DOES NOT HAVE A GROUND WIRE, INSERT THE GREEN GROUND SCREW INTO THE MOUNTING PLATE (A) FACING DOWN, AND WRAP THE FIXTURE'S BARE GROUND WIRE AROUND THE GROUND SCREW. IT IS IMPERATIVE THAT THE OUTLET BOX IN YOUR HOME BE PROPERLY GROUNDED.
- CONNECT THE NEUTRAL FIXTURE WIRE TO THE NEUTRAL JUNCTION BOX WIRE (USUALLY WHITE). FASTEN EACH TOGETHER WITH A WIRE CONNECTOR (K) AND WRAP THE CONNECTION WITH ELECTRICAL TAPE. BE SURE NO STRANDS ARE EXPOSED.
- CONNECT THE HOT FIXTURE WIRE TO THE HOT JUNCTION BOX WIRE (USUALLY BLACK). FASTEN EACH TOGETHER WITH A PLASTIC WIRE CONNECTOR (K) AND WRAP THE CONNECTION WITH ELECTRICAL TAPE. BE SURE NO WIRE STRANDS ARE EXPOSED. DO NOT REVERSE THE HOT AND NEUTRAL CONNECTIONS OR SAFETY WILL BE COMPROMISED.
- GENTLY TRUCK THE WIRE CONNECTIONS NEATLY INTO THE CEILING JUNCTION BOX.
- ATTACH THE MOUNTING PLATE (A) WITH NIPPLE TO THE CEILING OUTLET BOX USING THE ENCLOSED MOUNTING SCREWS (L) AND TIGHTEN SCREWS WITH A SCREWDRIVER.
- IF ATTACH TO CEMENT CEILING, USE ANCHOR(N) FIRST THEN SCREW STRENGTHENED SCREWS(O) INTO THE ANCHOR.
- IF ATTACH TO WOOD CEILING, THREAD STRENGTHENED SCREW(O) DIRECTLY INTO CEILING
- PUSH MOUNTING PLATE(A) IN CANOPY (B) AND THREAD THE CANOPY SCREWS(J) TO SECURE IT TILL TIGHT.
- INSERT 5 TYPE B 60W BULBS (OR SUITABLE CFL 16W/LED 13W BULBS, NOT INCLUDED) IN THE SOCKETS.
DO NOT EXCEED SPECIFIED WATTAGE.

CARE & MAINTENANCE

FOR CUSTOMER SERVICE QUESTION CALL 1-800-338-2150

DISCLAIMERS

WE RECOMMEND THE INSTALLATION OF THIS ELECTRICAL LIGHT FIXTURE TO BE DONE BY A LICENSED ELECTRICIAN.

ARTERIOS HOME: 972.488.9800

ARTERIOS CONTRACT: 972.488.9800 EXT.321

ARTERIOS