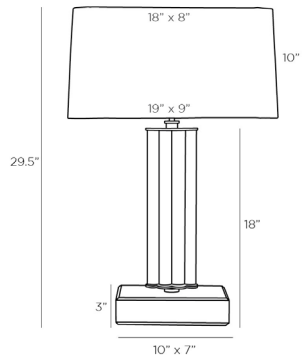


# ARTERIOS

## ECKART LAMP

JAY JEFFERS



DJ49003-154

H: 29.5 IN, W: 19 IN, D: 9 IN

Clear Crystal, Antique Brass, Ebony Wood  
Contract Suitable As Is

There is strength in simplicity. The clear crystal rods are capped in antique brass and grouped together to form a columnar lamp with an ebony oak base. The lamp is topped with an off-white linen rectangular shade with matching lining.

### APPEARANCE

|                    |   |
|--------------------|---|
| Material           | Off-White<br>Cotton, Crystal, Iron, Linen, Oak Wood |
| Material Type      |   |
| Finish             | Antique Brass, Clear, Ebony, Off-White              |
| Top Coat/Sealant   | true  |
| Finial Description | Matching metal sphere                               |
| Finial Dimension   | 1"  |

### DIMENSIONS

|            |  |
|------------|--|
| Shade      | Top: 8 IN, Top: 18 IN, D: 9 IN, W: 19 IN,<br>Side: 10 IN |
| Body       | H: 18 IN   |
| Base       | H: 3 IN, W: 10 IN, D: 7 IN                               |
| Foot Print | W: 10 IN, D: 7 IN  |

### WIRING

|              |   |
|--------------|---|
| Rating       | 3C,AE,AU,EU,SA,UK,UL<br>Indoor Only             |
| Tilt Test    | 10 Degrees - AU                                 |
| Cord         | 8 FT, Back of Lamp Base, SPT-2,<br>Taupe Fabric |
| Socket       | 2, Black, Type A - E26                          |
| Switch       | On Line, On/Off Rotary                          |
| Maximum Watt | 100   |
| Voltage      | 110-120 V                                       |

### CERTIFICATIONS

|                |  |
|----------------|--|
| Certifications | Mexico<br>Australia, United Arab Emirates,<br>United Kingdom, United States,<br>Canada |
|----------------|--|

### COMPLIANCY

|        |      |
|--------|------|
| UL/ETL | Yes  |
| CB     | Yes  |
| RoHS   | true |

### SHIPPING

|                |                                 |
|----------------|---------------------------------|
| Product Weight | 18.4 LBS                        |
| Gross Weight 1 | 15.4 LBS                        |
| Gross Weight 2 | 5 LBS                           |
| Shipping Box 1 | H: 9.8 IN, L: 28 IN, W: 13.6 IN |
| Shipping Box 2 | H: 12 IN, L: 21 IN, W: 11 IN    |
| Shipping Box 3 | H: 0                            |

### ADDITIONAL INFO

|             |              |
|-------------|--------------|
| Shade Shape | Rectangle    |
| Shade Trim  | Rolled Edges |
| Shade Type  | Hardback     |

### REPLACEMENT PARTS

|                    |            |
|--------------------|------------|
| Replacement Part 1 | DJ49003FIN |
|--------------------|------------|

### CONTRACT

|                   |      |
|-------------------|------|
| Contract Suitable | true |
|-------------------|------|