

The NEW Arrow Revolution stand-alone touchpad lock combines the functional elements of a cylindrical lockset with the latest technological designed for electronic aesthetic. Dealers will benefit by providing an up to date technological solution that is also quick and easy to install.

Users benefit from a simple interaction with the lock through a voiceguided touch keypad, making day-to-day use and programming easy. The Revolution is recommended for healthcare facilities, offices, retail environments, multi-family, hospitality, government facilities, as well as K-12 school environments. The Revolution provides a traffic control solution for areas requiring restricted access. If necessary, both users and user groups can be easily locked out by the administrator. This feature provides a quick lockout option in case of a security concern.



## Certification:

All Arrow Revolution Stand-alone Touchpad Locks are U.L. and c.U.L. listed for use on 3 hour, A label or lesser doors.

- Federal Specification FF-H-106C
- ANSI A117.1 Accessibility Code
- California State Reference Code for levers returning to within 1/2" (12.7mm) of door surface
- Certified ANSI/BHMA A156.2, Series 4000, Grade 2

## Features:


### Electronic Elements:

- Stand-alone touchpad access locking device
- Interactive voice-guided programming
- Tri-lingual, English/Spanish/French
- 4 AA batteries
- Optional hardwire input for 9VDC external power
- Request to enter (REX) input allows remote access capability
- 9VDC battery connections for emergency access
- Silent mode option
- Visual verification of pin code programming
- Feature access through keypad programming, 4-12 digit user pin codes
- Two operational modes – EZ Mode (9 users) or Advanced Mode (1000 users)
- Lockout Mode
- Passage Mode
- Auto Re-Lock

## ADA/Americans with Disabilities Act:

### Acceptable Door Hardware: Section 4.13.9

Handles, pulls, latches and other operating devices on accessible doors shall have a shape that is easy to grasp with one hand and does not require grasping, tight pinching or twisting of the wrist to operate. Lever operated mechanisms, push-type mechanisms and "U" shaped handles are acceptable designs.

 Look for the universal symbol next to Arrow products that comply with ADA accessibility requirements.

### Mechanical Components:

- UL listed for use on fire doors
- ADA compliant levers
- Install lock and latch with only 5 screws
- Optional Key Override – Uses standard Arrow cylinders available in AR and CS keyways
- Also available in Small Format Interchangeable Core Prep
- Weather resistant
- Field Reversible
- Door Prep: Standard 161 Prep with one additional 1/2" hole
- Standard three (3) year warranty

### Finish:

- Satin Chrome 26D

### Functions:

- V1-50 Non-Key Override
- V1-51 Key Override

# Revolution Stand-Alone Touchpad Lock

Features (Continued):



**OverDrive™ will allow a locked lever to rotate freely without retracting the latch, improving the life and performance of Arrow locksets.**

**OverDrive™**—Freewheeling lever action occurs when latch retraction mechanism disengages from lever handle when handle is locked. Built-in stops in the rose insert prevent lever from traveling beyond approximately 57 degrees.

**Backset**—2-3/4" (69.85mm) standard. Also available in 2-3/8" backset.

**Latch**—Stainless Steel with 1/2" (12.7mm) throw standard. Latch housing is steel, zinc dichromate finish for corrosion resistance. 1" (25.4mm) bore in edge of door is required.

**Latch Front**—Stainless steel. 2-1/4" (57.15mm) x 1-1/8" (28.57mm), 1/8" (3.175mm) in 2" (50.8mm).

**Exposed Trim**—Levers are pressure cast zinc. Streamline rose scalp of brass or bronze complements other series of lever locks.

**Rose Inserts**—Contain coil spring which is a permanent assembly within rose.

**Strikes**—Stainless steel. ANSI A156.115.

**Door Thickness**—1-3/8" (34.92mm) and 1-3/4" (44.45mm).

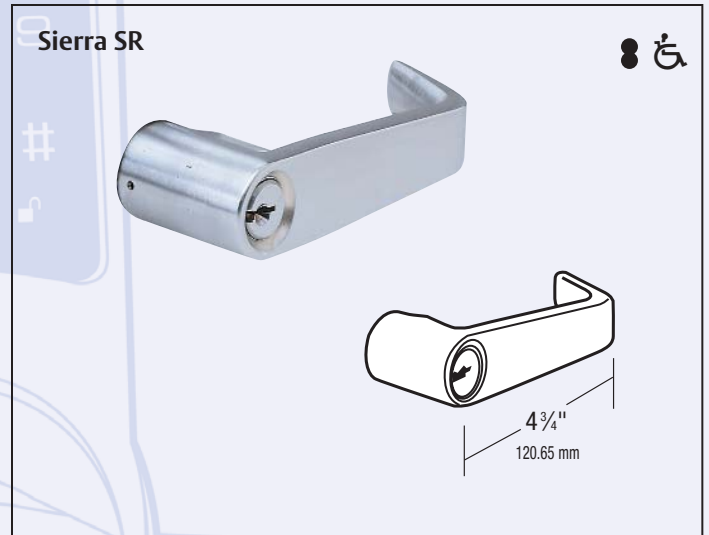
**Handing**—Non-handed. Levers operate bi-directionally.

**Finishes**—US26D.

**Packaging**—1 per box, 3 per case.

**Warranty**—Standard 3 year warranty.

Designs:



Finishes



BHMA	U.S. Equivalent	Arrow Equivalent	Finish
626	US26D	26D	Satin Chromium Plated

Revolution Stand-Alone Touchpad Lock

## Suggested Specification:

All locksets shall be Revolution stand-alone touchpad locksets as supplied by Arrow Lock company.

Locksets shall meet ANSI/BHMA requirements for Series 4000, Grade 2, and shall be U.L. listed for 2 hour, A label openings. In addition, locksets shall comply with ANSI A117.1 for barrier-free accessibility, and the California State Reference Code (formerly Title 19, California State Fire Marshall Standard).

Lockset shall be non-handed. A single lock chassis shall accommodate both 1-3/8" to 1-3/4" doors. Locksets shall be thru-bolted within standard door preparation and shall have anti-rotation support plates and no exposed screws. Chassis mounting screws may be accessed only when lever and rose are removed.

Exposed lock trim shall consist of solid cast levers, with no plastic

inserts and wrought brass or bronze roses. Inside and outside sub-rose assemblies shall contain independent springs to prevent lever sag. Levers shall operate independently. Lever shall be a minimum of 4" in length and have a return that comes to within 1/2" of the door surface.

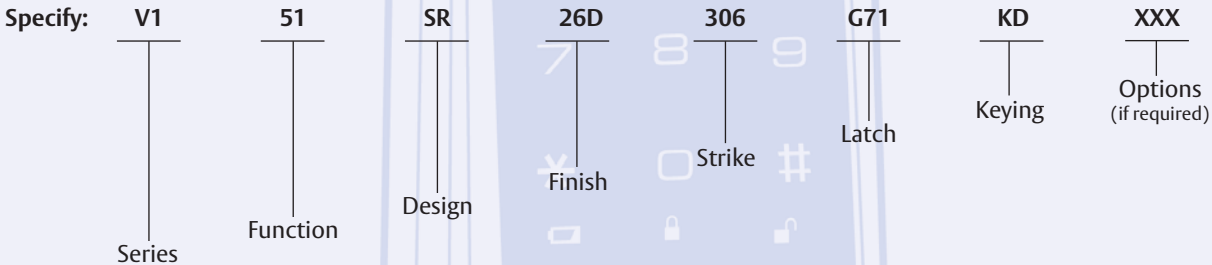
Cylinders shall be brass. A single lockset shall accommodate 5 or 6 pin conventional cylinders with all levels of master keying.

All products shall be of one manufacturer.

All locksets shall carry a three year warranty.

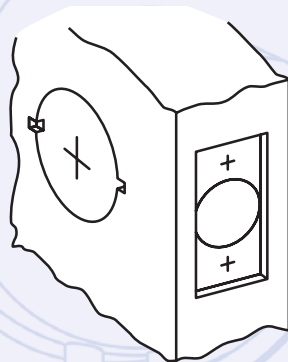
## How To Specify:

**Example:** To order a Revolution stand-alone touchpad lockset with a Sierra design lever, satin chrome finish, with an ASA strike and 2-3/4" backset, keyed different:



## Installation:

161 prep for retrofit and secure installation.



# Revolution Stand-Alone Touchpad Lock