

Parts Included:

Wire Connector



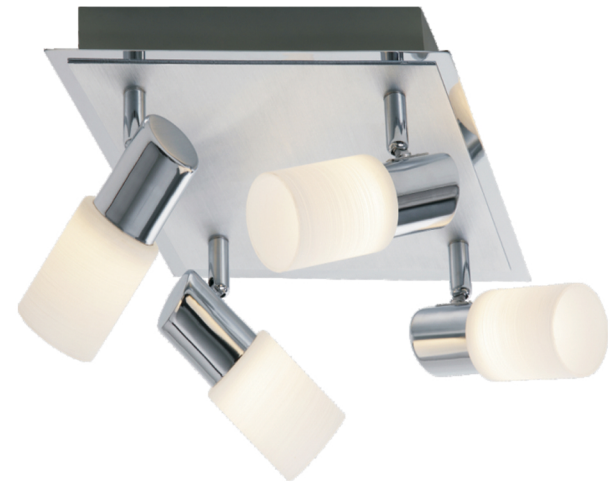
Mounting Bracket



Mounting Screw



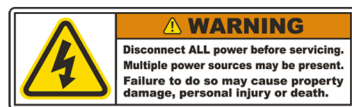
Outlet Box Screw



CSA / UL Safety Requirements

CSA/UL requires that these IMPORTANT SAFETY INSTRUCTION be listed:

- Before starting installation of this fixture or removal of a previous fixture, disconnect the power by turning off the circuit breaker or by removing the fuse at the fuse box.

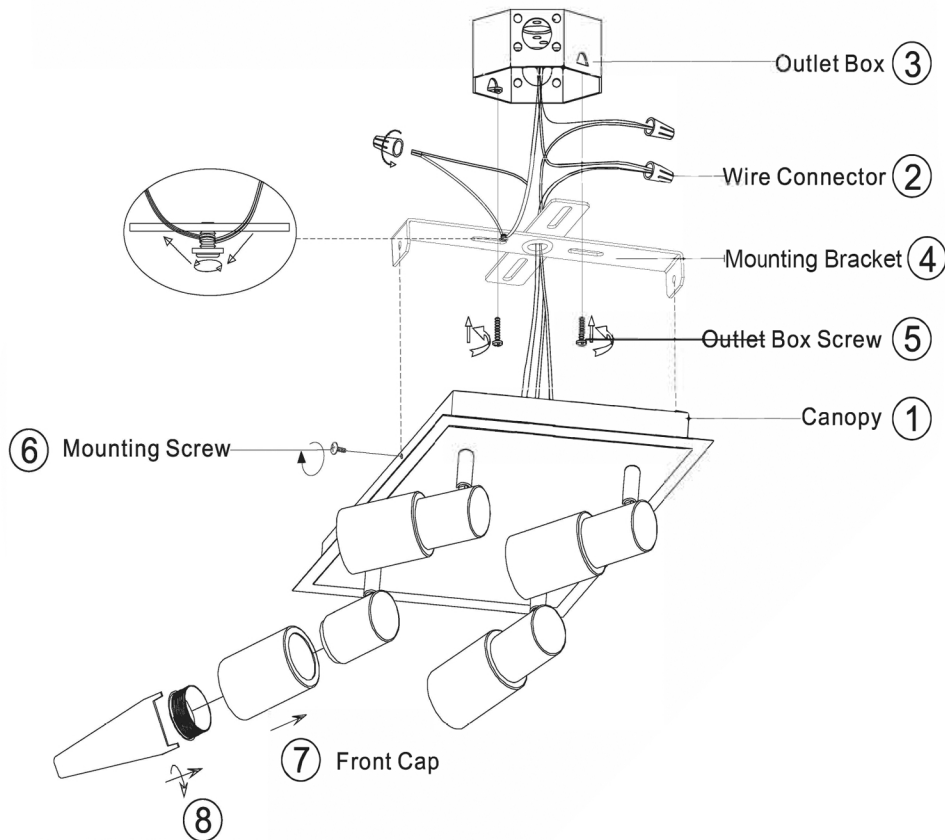


- Consult a qualified electrician if you have any electrical questions or need to replace the driver.

Care Instructions

Arnsberg suggests using only a micro fiber cleaning cloth to clean this fixture. If required, a slightly damp cleaning cloth may be used to spot clean. Do not use common household cleaners on this fixture, as the final finish may be damaged as a result. Enjoy your new Arnsberg fixture.

Mounting Instructions:



Assembly Instructions:

1. Mount the mounting bracket (#4) to the outlet box (#3), using the outlet box screws (#5).
2. Connect the ground wire from the fixture to the ground wire from the outlet box (#3). Connect the white wire from the fixture to the white wire (neutral wire) from the outlet box (#3). Connect the black wire from the fixture to the black wire (live wire) of the outlet box (#3). Cover the connections using the wire connectors (#2). Wrap the wire connectors with electrical tape for a more secure connection. Position the wires back inside the outlet box (#3). Note: If you have electrical questions, consult your local licensed electrician.
3. Place the canopy (#1) over the mounting bracket (#4). Screw the mounting screws (#6) through the holes of the canopy (#1) into the mounting bracket (#4) to secure the canopy (#1).
4. Installation is complete. Turn on the power at the circuit breaker of the fuse box. Turn the light switch on to activate the fixture. This fixture is equipped with the quattro dimming system.

Quattro Dimming System:

This fixture is equipped with an integral dimming system. Only an On / Off switch is required to regulate the light level of the fixture. Toggle the switch once, and it will go to full brightness, the second toggle will set it at 50%, the third toggle at 20%, then off.