

### Parts Included:

#### Wire Connector



#### Allen wrench



#### Outlet Box Screw(#6-32)



#### Outlet Box Screw(#8-32)



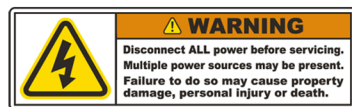
#### Flat Washer



### CSA / UL Safety Requirements

CSA/UL requires that these IMPORTANT SAFETY INSTRUCTION be listed:

- Before starting installation of this fixture or removal of a previous fixture, disconnect the power by turning off the circuit breaker or by removing the fuse at the fuse box.



- Consult a qualified electrician if you have any electrical questions or need to replace the driver.

### Care Instructions

Arnsberg suggests using only a micro fiber cleaning cloth to clean this fixture. If required, a slightly damp cleaning cloth may be used to spot clean. Do not use common household cleaners on this fixture, as the final finish may be damaged as a result. Enjoy your new Arnsberg fixture.

# Arnsberg

customerservice@arnsberg.com

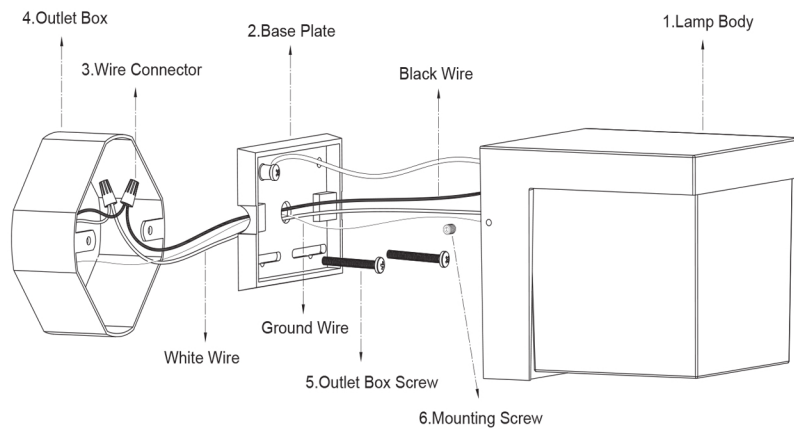
www.arnsberg.com

## ASSEMBLY INSTRUCTIONS

# YANGTZE

# 228260101

### Mounting Instructions:



### Assembly Instructions:

1. Open the Base Plate(#2). Connect the ground wire from the fixture to the ground screw in the Outlet Box(#4). Connect the white wire from the fixture to the white wire(neutral wire) from the Outlet Box(#4). Connect the black wire from the fixture to the black wire(live wire) from the Outlet Box(#4). Cover the connections using the Wire Connectors(#3). Wrap the wire connections with electrical tape for a more secure connection. Position the wires back inside the Outlet Box(#4). Note: If you have electrical questions, consult your local licensed electrician.
2. Mount the Base Plate(#2) to the Outlet Box(#4) using the two Outlet Box Screws(#5).
3. Please fix the Lamp Body(#1) to the Base Plate(#2) using the two Mounting Screws(#6).
4. Installation is complete. Turn on the power at the circuit breaker or fuse box. Turn the light switch on to activate the fixture.