

ARIEL

Walk-In Bathtubs Installation Guide



Table of Contents

GENERAL INFORMATION.....	Page 1
SAFETY INSTRUCTIONS.....	Page 1
ROUGH / DRAWING DIAGRAMS.....	Page 2
GETTING STARTED (1) (2) (3).....	Page 3
INSTALLATION.....	Page 4-5
OPERATION GUIDE.....	Page 5
WARRANTY.....	Page 6
APPROVAL.....	Page 7-11
FIXTURES / HARDWARE (optional).....	Page 12

GENERAL INFORMATION

SAVE THIS MANUAL: RETAIN FOR CONSUMER USE

Read these instructions completely before installing the product: If you have any questions call: (800) 304-3598

You must follow all instruction in this manual:

Failure to do so will result in your assumption of liability that may occur.

Failure to comply with all instructions can result in product and personal injury.

RESPONSIBILITY OF THE INTALLER

The installer must inspect and water test the product prior to installation to ensure the unit is free of defect or damage. In the event of a problem, the unit must not be installed. If the crate or product has been damaged please call immediately: (800) 304-3598

This product is designed to be installed by a licensed tradesperson, licensed plumbers and electricians should be employed to insure proper installation. Installers assume all liability for the correct installation procedures.

Only accessories authorized by the manufacturer should be used with this product.

SAFTY INSTRUCTIONS

IMPORTANT SAFETY INSTRUCTIONS

1. When using this product, basic precautions should always be followed. Read and follow all instructions pertaining to risk of fire, electric shock, or injury to persons.
2. Use this unit only for its intended purposes or as described in this manual. Use only attachments recommended by the manufacturer.
3. Risk of hyperthermia and possible drowning: Water temperature in excess of 100°F (38°C) may be injurious to your health. Check and adjust temperature before use.

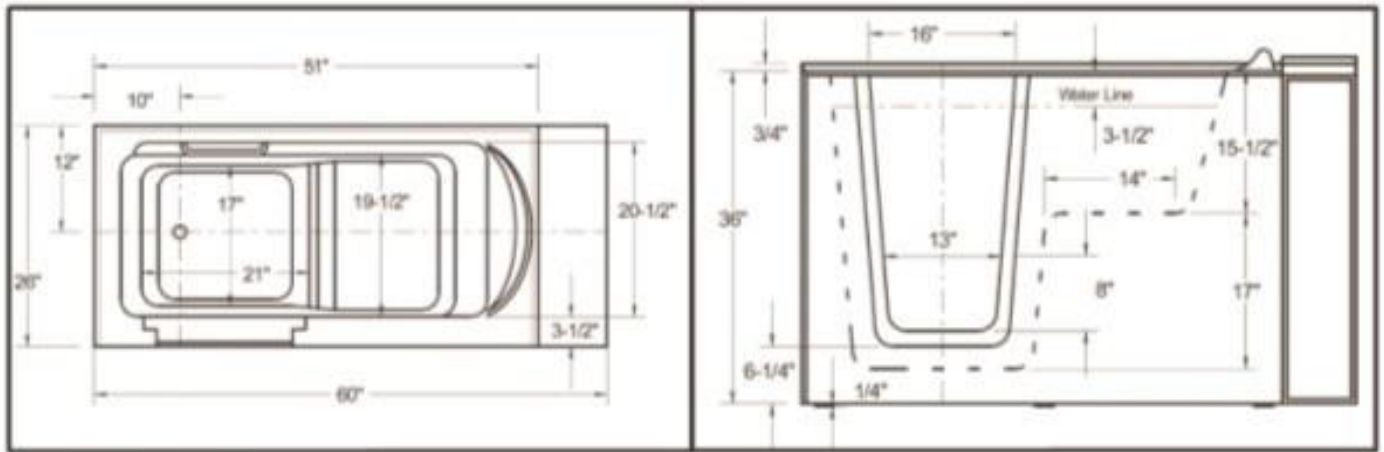
READ AND FOLLOW ALL INSTRUCTIONS

1. Danger: To reduce the risk of injury, do not permit children or persons with infirmities to use this product unless they are closely supervised at all times.
 2. To avoid injury, exercise caution when entering or exiting the tub.
 3. Never drop or insert any objects into any openings.
 4. Risk of electrical shock; connect only to a separate circuit protected by a ground fault circuit interrupter (GFCI).
 5. Warning: Risk of electric shock, do not permit electric appliances (such as a hair dryer, lamp, telephone, radio or television) within 5-feet (1.5M) of this hydro massage bathtub.
 6. This unit must be connected to a circuit interrupter (GFCI) .Such a circuit is provided by the installer and should be tested on a routine basis. To test the GFCI push the test button, the GFCI should interrupt power. Push the RESET button, power should be restored. If the GFCI fails to operate in this manner, there is a ground current flowing, indicating the possibility of an electrical shock. Do not use this unit. Disconnect the unit and have the problem corrected before using.
 7. Traction enhanced-textured tub button must remain clean to minimize slippage.
 8. Risk of electrical shock, all pumps and heaters must be connected to a ground fault circuit interrupter (GFCI) protected outlets.
 9. Avoid use of alcohol, drugs, or medication while using your tub.
 10. Consult your physician before using the whirlpool/air system if you are pregnant and/or have heart conditions.
 11. All units must be water tested before installation.
-

Drawings for the tubs

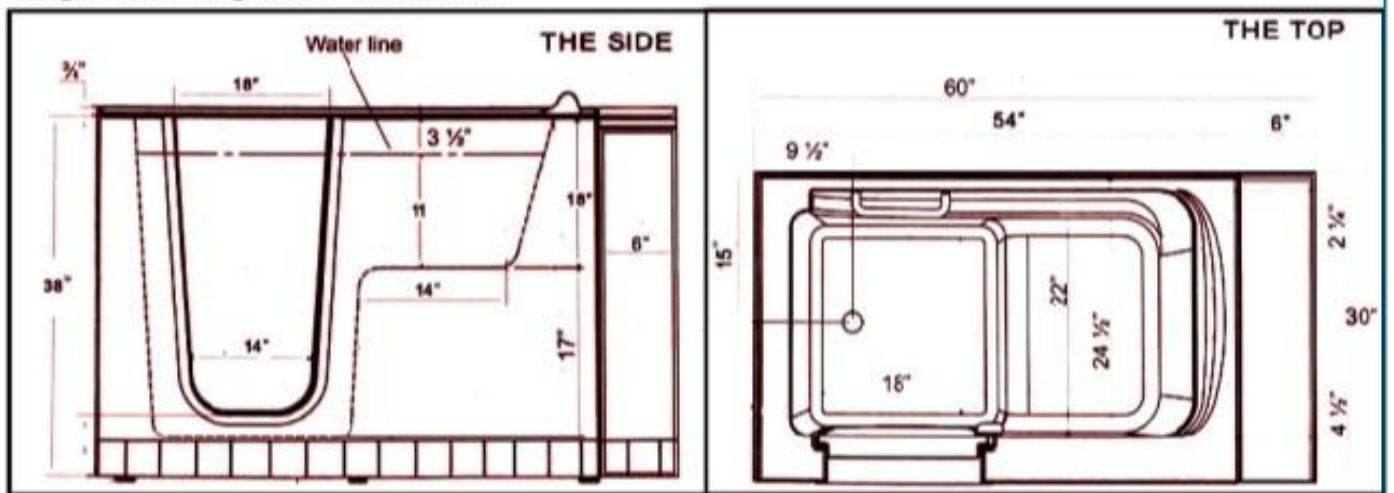
Ariel-265138 (W 660mm x L 1300mm x H 960mm)

Note: Refer to above measurements for actual dimensions
Diagram below is generic measurements



Ariel-305439 (W 760mm x L 1370mm x H 990mm)

Note: Refer to above measurements for actual dimensions
Diagram below is generic measurements



GETTING STARTED (1)

UNPACKING THE UNIT

1. Inspect the carton, if carton damage is noted: take a picture if possible, notify the deliverer, write "DAMAGED" on the Proof of Delivery (P.O.D), and call: (800) 304-3598
2. NEVER LIFT THE TUB BY THE PLUMBING. Doing so can result in leaks, for which the installer is responsible.
3. Immediately inspect the unit for damage even if there is no carton damage. Once the unit is accepted surface damages will be assumed to be installation related if not reported within 72 hours of delivery. Installers are responsible for damage that occurs once the unit is placed in its niche.
4. Inspect the plumbing for any loose fittings.
5. Remove all packaging material except for the protective plastic. This has been placed on the tub at the factory to eliminate abrasions from handling. This should only be removed at final clean up.

GETTING STARTED (2)

TESTING YOUR SAFETY TUB BEFORE INSTALLATION

1. All Tubs 100% water tested at the factory and certified to be free of leaks. Transportation and mishandling may cause leaks. It is necessary to test the bath while there is access to all sides of the bath.
2. This unit should be both static and operationally tested with water. It is best to test the unit outside by filling with a garden hose.
 - A. Place the tub on a completely flat surface in an area where it may be drained after testing.
 - B. Seal the drain (can be sealed with tape for test) and fill the tub three inches above the jets or to a normal level if it's a soaking tub.
 - C. Allow the water to stand in tub for 10 minutes and then inspect all plumbing and seals for leaks.
 - D. Insure all jets are open and working (every hydro jet is adjustable for both flow rate and direction of flow, depending on the jet, the water flow is adjusted by either turning the outside ring or the nozzle clockwise and counter clockwise).

GETTING STARTED (3)

NOTE: If the pumps do not operate:

- A. Check the breaker to insure power is on and the cable connecting the controls to the pump is attached.
- B. If an optional heater is present, check the indicator light on the heater to insure that power is present.

Do not run any pumps or heaters unless the tub is filled with water to proper usage level, 4-inches (10cm) above the highest jet fixture. Damage due to dry-running pumps (running pumps without proper water level height) is not covered under any stated warranty.

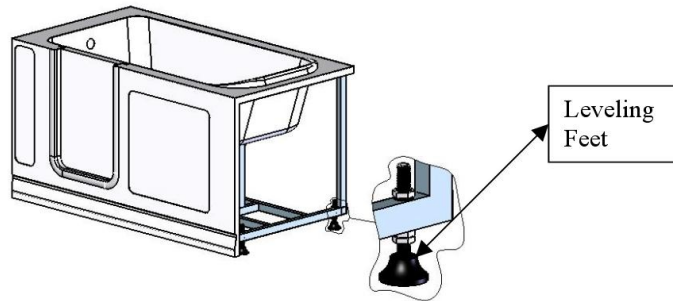
Failure to perform these tests before installation will make the installer liable for future repair costs.

INSTALLATION

INSTALLATION PREPERATION

1 Check the floor area where the tub is to be installed.

- A Clean the area of any debris or trash.
- B Use a 5 or 6-foot level and determine if the floor is level. If the floor is not level, adjust all 4 leveling feet to perfectly level the tub. Note: it is important that ALL leveling feet are completely touching the floor and level for the door system to work properly.



2 Check to insure the drain rough has been placed at the proper location. See spec sheets attached for you unit.

3 Insure that the proper electrical service has been installed at the pump location. See electrical requirements below.

ELECTRICAL REQUIREMENTS

Equipment utilized on these baths requires individual dedicated service for each feature unless otherwise stated on the actual product.

Each electrical service must be a dedicated 20 amp, 110-125 volts alternating current service that is GFCI protected.

1. Hydro Jet Massage Systems require one 15 amp, 110 volt service that is GFCI protected.
2. Hydro Air-Massage Systems require one 15 amp, 110 volt service that is GFCI protected.
3. Dual Massage Systems require two dedicated electrical circuits: 20 amps, 110 volt, GFCI for the pump and blower.
 - IN-LINE HEATER WILL ALWAYS REQUIRE ITS OWN DEDICATED 20 AMP, 110 VOLT GFCI PROTECTED CIRCUIT.

ELECTRICAL INSTALLATION

All electrical connections must be carried out by a certified electrician in accordance with the local electrical requirements and codes.

INSTALLATION PROCEDURES

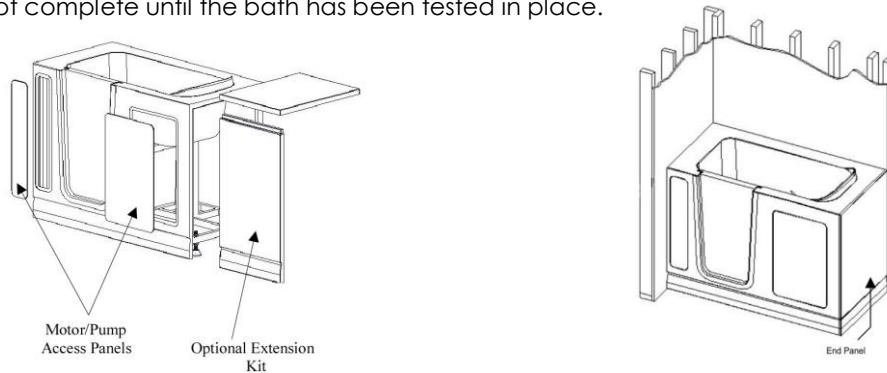
WARNING: When installing jet massage baths, air massage baths, or dual massage baths, basic precautions should be followed, including the following:

Danger: Risk of electrical shock. Connect only to a separate circuit protected by a ground fault circuit interrupter (GFCI) Installation must provide access for servicing pump/ motor (all Tubs come with an access panel for the pump/motor and faucet).

1. Install tub waste according to instructions provided with fitting.
2. Install faucet. If spout and supply lines are to be installed on deck of tub, mark the locations and drill pilot holes from the side of product. Using proper size hole-saw, drill spout, hand shower and supply lines from side of the product.
3. Standard installation – After framing is complete, set product in place to check fit and make certain that the tub can be properly leveled. (Caution: if walk in bathtub is not resting on ALL leveling feet, water will not drain properly and may cause the door to leak).

Warning: Never allow the weight of the tub to be supported by wood support stringers and do not use file flange on the 60x32 to screw or nail in place, as this will result in product failure and void the warranty.

4. Verify the product is completely level by checking tub surface and ensure ALL leveling feet are touching the ground.
5. Electrical connection is made by simply plugging pump cord (shipped with cord and plug) into specified dedicated 120V, 20A, GFCI outlet.
6. After plumbing and electrical connections have been made the tub should be cleaned of dirt and debris.
7. Installation is not complete until the bath has been tested in place.



OPERATION GUIDE

OPERATION GUIDE

- A. When the bathtub is full of water. Turns on the water pump and the air pump, there will be the picture display on the display on the display screen.
- B. When the water pump is working, put the heater button to turn on the heater, working condition is determined by the pressure button and the temperature setting. There is a heater picture on the display screen when heater is working.
- C. Setting temperature: Temperature can be set when the heater key is on. Temperature picture display window will flash when the temperature is set. Temperature display feature can be adjusted from 20°C (68°F) to 50°C (122°F), usually 40° (104°F) is suitable.
- D. Strength of the air pump setting: The strength of the air pump can be set when put the strength of the air pump up/down key. The strength of the air pump can be adjusted 0 to 15. Put the strength of the air pump cycle change key when the air pump is working and then the strength of the air pump will be changed from small to big and then from big to small by cycle.

Warning!

- A. Make sure the power wires are complying to the installation diagram before turn the electrical system on.
- B. Do not turn on the Air pump, Water pump, and Heater without water.
- C. Make sure the power supply has adequate load capacity and a ground wire.
- D. Turn off power when working with any wiring connections.

RUN CONDITON

- A. Power: AC110V, 50/60 Hz
- B. Water pump: AC110V, 6.0-7.0 Amps
- C. Air pump: AC110V, 4.0-5.0 Amps
- D. Heater: AC110V, 12-14 Amps, 1500w

WARRANTY

Limited Warranty Coverage

All items manufactured by Ariel Walk-In Bathtub are warranted in accordance with the following warranty.

This warranty is extended to the first purchaser does not extend to products previously used as display models or products that have been modified or repaired by anyone else but Ariel Walk-In Bathtub unless approved by Ariel. Ariel Walk-In Bathtub comes with a 3 year warranty on walk-in bathtub and components only.

Warranty Limitations

In the event of a defect in the material or workmanship of a product, defective product(s) will be repaired or replaced by Ariel Walk-In Bathtub. Ariel Walk-In Bathtub shall not be liable for the expense of removing defective products, installing replacement products, or the expense of adjoining components such as tile, marble, wall panels, ceilings etc. No liability shall exit for incidental or consequential damages caused in whole or part by any defect in Ariel Walk-In Bathtub products. No warranty, expressed or implied, including any warranty of merchantability or fitness for a particular purpose, shall apply after the warranty period described above. This warranty does not cover defects or damage caused by the common carrier or installer from, without limitation, any of the following: careless handling, lifting whirlpools by the piping, modification of the product for any reason, improper installation (including installation not in accordance with instructions provided with the unit).

ZERTIFIKAT ◆ CERTIFICATE ◆ 認証証書 ◆ CERTIFICADO ◆ CERTIFICAT



Product Service

EC-Attestation of Conformity

No. E8 05 10 48732 006

Holder of Certificate: **Changzhou Sanding Electro motors & Appliances Co., Ltd.**
 Industrial Park, Luoyang Town
 213104 Changzhou, Jiangsu
 PEOPLE'S REPUBLIC OF CHINA

Name of Object: **Household equipment Controller**

Model(s): **DXD-A**

Description of Object:
 Rated voltage: 220-240V AC
 Rated frequency: 50Hz
 Rated power input: 15W
 Protection class: I

Tested according to:
 EN 55014-1/A2:2002
 EN 55014-2/A1:2001
 EN 61000-3-2:2000
 EN 61000-3-3/A1:2001

This EC-Attestation of Conformity is issued according to the Directive 89/336/EEC relating to electromagnetic compatibility on a voluntary basis. It confirms that the listed equipment complies with the principal protection requirements of the EMC directive and applies only to the sample and its technical documentation submitted to TÜV Product Service GmbH for testing and certification. See also notes overleaf.

Test report no.: 48888505801

Date, 2005-10-25

Lei Geng



CE After preparation of the necessary technical documentation as well as the conformity declaration the required CE marking can be affixed on the product. Other relevant directives have to be observed.

Page 1 of 1

ZERTIFIKAT ◆ CERTIFICATE ◆ 認証証書 ◆ CERTIFICADO ◆ CERTIFICAT



Product Service

EC-Attestation of Conformity

No. N8 06 06 48732 011

Holder of Certificate: Changzhou Sanding Electro motors & Appliances Co., Ltd.

Industrial Park, Luoyang Town
213104 Changzhou, Jiangsu
PEOPLE'S REPUBLIC OF CHINA

Product: Whirlpool baths
Heater

Model(s): SDP-1500, SDP-3000

Parameters:

Rated voltage:	220-240V~
Rated frequency:	50Hz
Rated power input:	1700W(SDP-1500) 3400W(SDP-3000)
Degree of protection:	IP 00

Remark:
This heater is intended to be incorporated in a whirlpool bath to warm the water. Protection against access to live parts & protection against moisture has to be maintained by the built-in appliances.

Model differences:
SDP-1500: basic model, equipped with only one heating element.
SDP-3000: similar with basic model, equipped with two heating elements connected in parallel.

Tested according to: EN 60335-2-60/A1:2005

This EC-Attestation of Conformity is issued on a voluntary basis according to the Low Voltage Directive 73/23/EEC relating to electrical equipment designed for use within certain voltage limits. It confirms that the listed equipment complies with the principal protection requirements of the directive. It refers only to the particular sample submitted for testing and certification. See also notes overleaf.

Test report no.: 484000600903



Date, 2006-06-13



After preparation of the necessary technical documentation as well as the conformity declaration the required CE marking can be affixed on the product. Other relevant directives have to be observed.

Page 1 of 1

(Handwritten signature)



UL-CCIC Company Limited

98 Hengshan Road,
Suzhou New District,
Suzhou 215009, China
Tel: 0512 6808 6400
Fax: 0512 6808 4099
www.UL-CCIC.com

NOTICE OF AUTHORIZATION TO APPLY THE UL MARK

2007-04-06

Changzhou Sanding Electro-Motors & Appliances Co Ltd
Luoyang Industrial Park
Changzhou, Jiangsu 213104
China

Fax number: 865198522389
E-mail: 0519-8522369

Reference: File E239204 Project 06CA52478 P.O. Number QIN XIAO YONG Mr
Product: USR/CNR- MOTOR model DXD-20, DXD-30, DXD-40, DXD-315, DXD-320, DXD-330, DXD-340, DXD-310 and DXD-312

Dear MR. Qin Yiao Yong,

Any information and documentation involving UL Mark services are provided on behalf of Underwriters Laboratories Inc. (UL) or any authorized licensee of UL.

UL's investigation of your product has been completed under the above project number and the subject product was determined to comply with the applicable requirements.

This letter temporarily supplements the UL Follow-Up Services Procedure and serves as authorization to apply the UL Recognized Marking and/or Recognized Component Mark only at the factory under UL's Follow-Up Service Program to the subject product, which is constructed as described below:

Similar to the subject model, which was submitted to UL for this investigation. The UL Records covering the product will be in the Follow-Up Services Procedure, File E239204, Volume 1.

This authorization applies only to the address on this letter.

This authorization is effective from the date of this Notice and only for products at the indicated manufacturing locations. Records in the Follow-Up Services Procedure covering the product are now being prepared and will be sent to the indicated manufacturing locations in the near future. Please note that Follow-Up Services Procedures are sent to the manufacturers only unless the Applicant specifically requests this document.

Products that bear the UL Mark shall be identical to those that were evaluated by UL and found to comply with UL's requirements. If changes in construction are discovered, appropriate action will be taken for products not in conformance with UL's requirements and continued use of the UL Mark may be withdrawn.

Sincerely,
Witman Li

Witman Li
Engineer
Department: 3015CGUB
Tel: 8602083486999-66191
Fax: +86-20-8348 6777-66191
E-mail: witman.li@cn.ul.com

Reviewed by:
Arthur Meng

Arthur Meng
Section Manager
Department: 3015CSUZ
E-mail: Arthur.meng@cn.ul.com

An independent organization working for a safer world with integrity, precision and knowledge.



333 Pfingsten Road
Northbrook, Illinois 60062-2096
United States Country Code(1)
(847) 272-8800
FAX No. (847) 272-8129
<http://www.ul.com>



File E239204 Vol 1 Issued 2004-01-14

FOLLOW-UP SERVICE PROCEDURE
(TYPE R)

COMPONENT - MOTORS
(PRGY2, PRGY8)

Manufacturer: CHANGZHOU SANDING ELECTRO-MOTORS &
(909331-001) APPLIANCES CO LTD
LUOYANG INDUSTRIAL PARK
CHANGZHOU
JIANGSU 213104 CHINA

Applicant: SAME AS MANUFACTURER
(909331-001)

Recognized Company: SAME AS MANUFACTURER
(909331-001)

This Procedure authorizes the above Manufacturer to use the marking specified by Underwriters Laboratories Inc. only on products covered by this Procedure, in accordance with the applicable Follow-Up Service Agreement.

The prescribed Mark or Marking shall be used only at the above manufacturing location on such products which comply with this Procedure and any other applicable requirements.

The Procedure contains information for the use of the above named Manufacturer and representatives of Underwriters Laboratories Inc. and is not to be used for any other purpose. It is lent to the Manufacturer with the understanding that it is not to be copied, either wholly or in part, and that it will be returned to Underwriters Laboratories Inc. upon request.

This PROCEDURE, and any subsequent revisions, is the property of UNDERWRITERS LABORATORIES INC. and is not transferable.

UNDERWRITERS LABORATORIES INC.

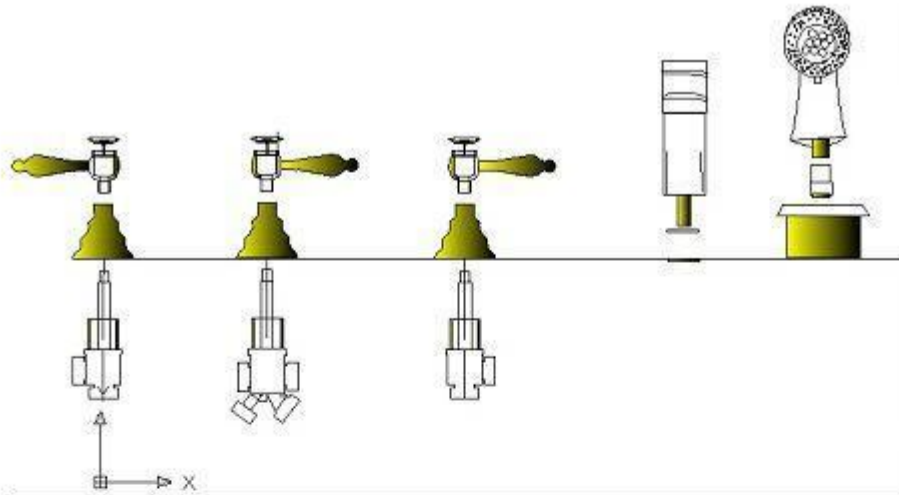
A.W. Schaefer
Vice President and General Manager
US and Canadian Operations

N

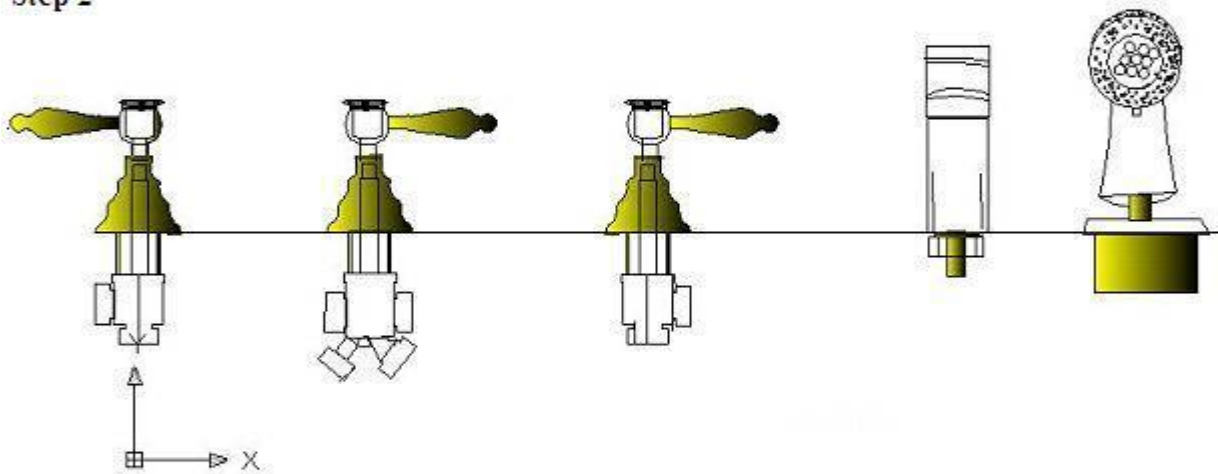
A not-for-profit organization
dedicated to public safety and
committed to quality service

+

Step 1



Step 2



Step 3

