



Arctic King™ Room Air Conditioners

An Excellent Choice in Cooling, Comfort and Convenience



Window
Through-the-Wall
Slider/Casement
Portable



Cool Comfort, Lasting Value

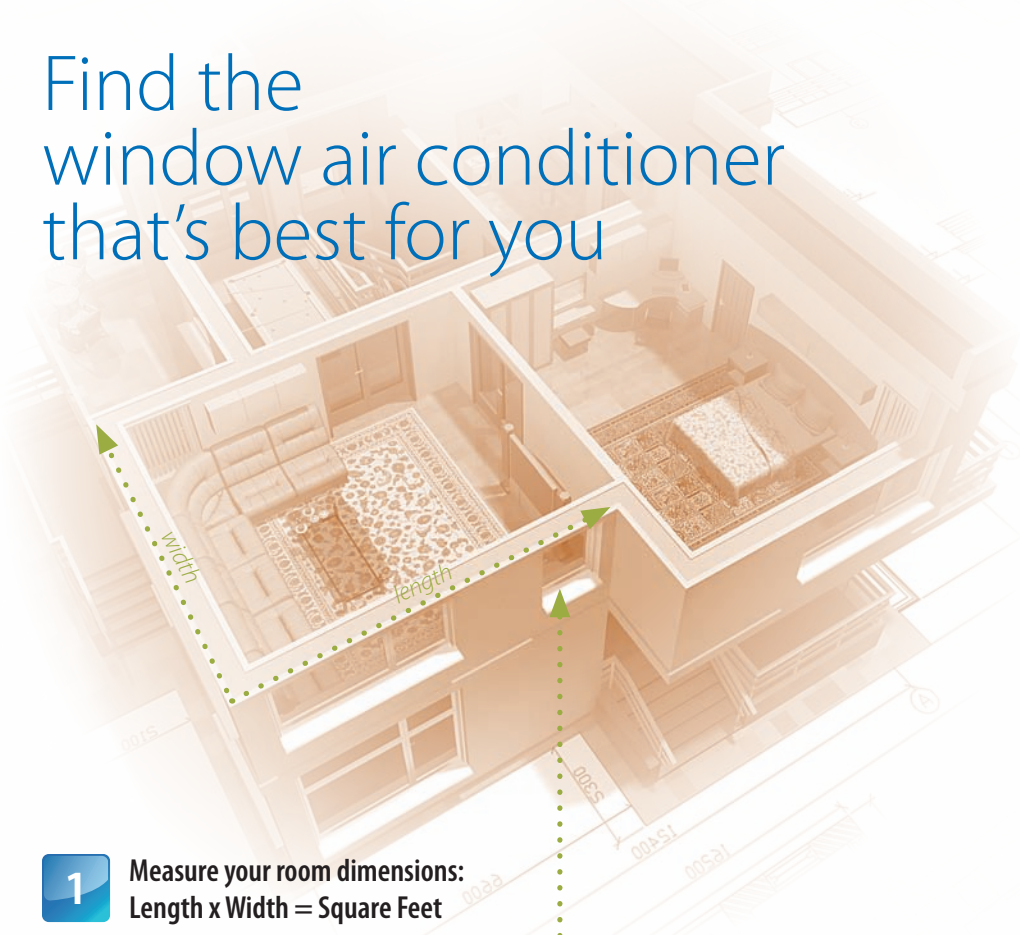
For more than 25 years, Midea has been developing air conditioning systems focused on comfort, quality, efficiency and reliability — all with affordable pricing.

Our state-of-art Arctic King air conditioners include high-efficiency room and window air conditioners, through-the-wall units, slider/casement units and portable air conditioners. Each offers all the features that you'd expect from a top-rate cooling system — with great pricing and exceptional warranties.

With a strong focus on customer satisfaction and environmental responsibility, we are committed to bringing the highest quality products to consumers seeking home cooling solutions that provide lasting value.



Find the window air conditioner that's best for you



- 1 Measure your room dimensions: Length x Width = Square Feet
- 2 Verify the size of your window opening.
- 3 Check the plug type and electrical requirements.
- 4 Choose recommended BTU size from the chart below:

Area to be cooled (square feet)	Capacity needed (BTUs per hour)
100 – 150	5,000
150 – 250	6,000
250 – 300	7,000
300 – 350	8,000
350 – 400	9,000
400 – 450	10,000
450 – 550	12,000
550 – 700	14,000
700 – 1,000	18,000
1,000 – 1,200	21,000
1,200 – 1,400	23,000
1,400 – 1,500	24,000
1,500 – 2,000	30,000
2,000 – 2,500	34,000

BTU Size

Too Large — An air conditioner will not properly remove the humidity from the air if it has a higher BTU rating than the room size requires. This will make the unit cycle off too quickly.

Too Small — An air conditioner will not adequately cool the room if it has a lower BTU rating than the room size requires. This will cause the unit to run continuously.

The figures in the chart to the left are estimates based on average room conditions in a moderate climate.

Some exceptions are:

- Kitchens — Add 4,000 BTU cooling capacity to the recommended size.
- High Ceilings/Unusual Floor Plans — Increase BTU recommendation by 10%.
- Warmer Climates — May require 10-20% additional BTUs per room over amount suggested in chart.

Features with your comfort and convenience in mind



Auto Restart

If a power failure occurs, the unit will automatically return to normal operation when power resumes.



Slide-Out Chassis

The two-piece design makes installation easy and safe. First mount the lightweight cabinet and then slide the chassis into position.



Washable, Slide-Out Filter

allows for easy cleaning, ensuring maximum operating efficiency.



Electronic Touch Controls

Temperature, fan speed and timer operation is easily adjusted with the touch of a button. Easy-to-read digital display shows set temperature (available on most models).



Heat/Cool Models

An electric heat option is available on some models to keep you warm on those chilly days.



Expandable Side Panels

Side panels expand to fit your window perfectly.



Remote Control

With our intelligent LCD remote control, you can choose your comfort settings one time and relax. The memory-enabled technology allows the unit to operate precisely as you originally specified.

Environmental Stewardship



Look for the Energy Star® Seal

All Midea air conditioning products are engineered to be energy efficient, with many models earning the Energy Star® seal, recognized as the international rating standard for energy-efficient consumer products.

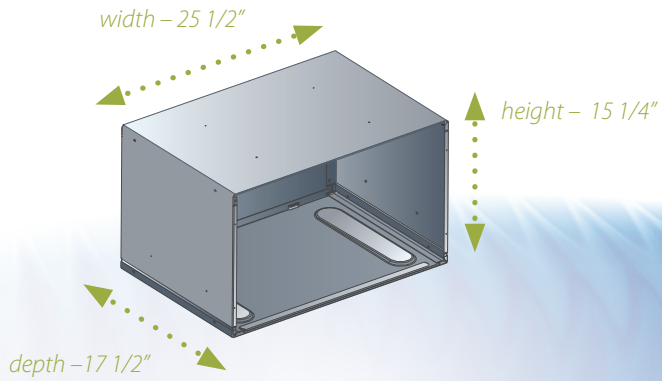


R-410A Refrigerant

R-410A has replaced R-22 as the preferred refrigerant for use in room air conditioners as it does not contribute to ozone depletion.



Through-the-Wall Room Air Conditioners



8,000 – 14,000 BTUs

- Through-the-wall installation
- Electronic controls with remote control
 - 24 hour on/off timer
 - Energy saver mode
 - 3 fan speeds
 - Sleep mode
- Filter check indicator
- Auto restart function
- Full range air direction control
- Trim frame kit included for all sleeve sizes



Wall Sleeve (sold separately)

All metal construction for durability. Folds flat to maximize shipping and minimize warehouse requirements.



Available on some models



WALL OPENING HEIGHT - 16"

WALL OPENING WIDTH - 25 1/2" to 27"





Slider/Casement

Room Air Conditioners

10,000 – 12,000 BTUs

- Fresh air
- Electronic controls with remote control
 - 24 hour on/off timer
 - Energy saver mode
 - 3 fan speeds
 - Sleep mode
- Filter check indicator
- Auto restart function
- Full range air direction control



MINIMUM WINDOW HEIGHT – 21 1/4"



WINDOW WIDTH – 15 1/2" to 16 1/4" >>>

	WINDOW											HEAT/COOL WINDOW	
Model	MWK-05CRNT-BJ7	MWK-05CRNT-BJ7	MWK-06CRNT-BJ7	MWK-08CRNT-BJ8	MWK-10CRNT-BJ8	MWK-12CRNT-BJ8	MWJ1-12CRNT-BJ8	MWK-15CRNT-BJ7	MWK-18CRNT-MJ7	MWK-25CRNT-MJ4	MWK-28CRNT-MJ5	MWJ1-08ERN1-BJ8	MWJ1-12ERN1-MJ8

Performance													
Energy Star	–	●	●	●	●	●	●	●	●	●	–	–	–
Cooling Area (Sq Ft)	100-150	100-150	150-200	300-350	450-500	450-550	450-550	550-700	700-1000	1400-1500	1500-2000	300-350	450-550
Cooling (Btu/H)	5000	5200	6000	8000	10000	12000	12000	15000	18500 / 18200	25000 / 24700	28500 / 28000	8000	12000 / 11600
Heating (Btu/H)	–	–	–	–	–	–	–	–	–	–	–	3500	11000 / 8500
Dehum (Pints/hour)	0.8	1.1	1.3	1.7	2.7	3.2	1.7	3.8	5.5	8.0	9.5	1.7	3.5
Room Air Delivery	124	141	146	217	290	265	282	418	447	541	541	282	282
Energy Efficiency Rating (EER)	9.7	10.7	10.7	10.8	10.8	10.8	10.8	10.7	10.7	9.4	8.5	9.8	9.8

Electrical Requirements													
Voltage	115V	115V	115V	115V	115V	115V	115V	115V	230 / 208V	230 / 208V	230 / 208V	115V	230 / 208V
Amps (Cooling)	4.8	4.5	5.4	7.0	8.8	10.2	10.2	12	7.7 / 8.3	12.0 / 12.8	14.8 / 16.0	7.4	5.5
Amps (Heating)	–	–	–	–	–	–	–	–	–	–	–	10.0	15.5
Watts (Cooling)	515	485	560	740	930	1110	1110	1410	1730 / 1700	2660 / 2630	3365 / 3300	815	1225
Watts (Heating)	–	–	–	–	–	–	–	–	–	–	–	1026	3224 / 2491
NEMA Plug Type	LCDI 5-15P 15A	LCDI 5-15P 15A	LCDI 5-15P 15A	LCDI 5-15P 15A	LCDI 5-15P 15A	LCDI 5-15P 15A	LCDI 5-15P 15A	LCDI 5-15P 15A	LCDI 6-15P 15A	LCDI 6-20P 20A	LCDI 6-30P 30A	LCDI 5-15P 15A	LCDI 6-20P 20A
Receptacle (LCDI)	AWG18x3	AWG18x3	AWG18x3	AWG16x3C	AWG14x3	AWG14x3	AWG14x3	AWG14x3	AWG14x3	AWG12x3	AWG12x3	AWG14x3	AWG12x3C

Dimensions & Weight													
Unit Width (Inches)	16 1/4	16 1/4	16 1/4	19 1/8	19 11/16	19 11/16	22 5/8	23 5/8	23 5/8	26 9/16	26 9/16	22 5/8	22 5/8
Unit Depth (Inches)	13 3/4	15 3/4	15 3/4	15 3/4	20 15/16	20 15/16	23	25 1/2	25 1/2	26 5/8	26 5/8	23	23
Unit Height (Inches)	12 5/16	12 5/16	12 5/16	12 5/8	14 3/4	14 3/4	16 1/8	17 3/16	17 3/16	18 1/2	18 1/2	16 1/8	16 1/8
Packing Width (Inches)	17 15/16	17 15/16	17 15/16	21 11/16	21 15/16	21 15/16	25	26	26	29 1/2	29 1/2	25	25
Packing Depth (Inches)	15 3/16	17 3/16	17 3/16	17 13/16	23 1/16	23 1/16	28 3/8	29 15/16	29 15/16	31 1/4	31 1/4	28 3/8	28 3/8
Packing Height (Inches)	14 5/8	14 9/16	14 9/16	14 7/16	16 3/4	16 3/4	16 15/16	19 11/16	19 11/16	20 1/2	20 1/2	16 15/16	16 15/16
Net/Gross Weight (Lbs)	34 / 40	39 / 44	39 / 44	48 / 55	61 / 68	65 / 73	84.9 / 92.2	100 / 112	109 / 122	123 / 138	138 / 152	72 / 80	81 / 89

Window Opening													
Width: Min / Max (Inches)	23 / 36	23 / 36	23 / 36	23 / 36	23 / 36	23 / 36	26 1/2 / 40 1/2	26 1/2 / 40 1/2	26 1/2 / 40 1/2	31 / 42	31 / 42	26 1/2 / 40 1/2	26 1/2 / 40 1/2
Height: Min (Inches)	13	13	13	14	14 1/4	14 1/4	24	18 1/2	18 1/2	19	19	24	24

Features													
Controls	Manual	Electrical	Electrical	Electrical	Electrical	Electrical	Electrical	Electrical	Electrical	Electrical	Electrical	Electrical	Electrical
Fan Speeds (Cool/Fan/Heat)	2 / 2 / –	3 / 3 / –	3 / 3 / –	3 / 3 / –	3 / 3 / –	3 / 3 / –	3 / 3 / –	3 / 3 / –	3 / 3 / –	3 / 3 / –	3 / 3 / –	3 / 3 / 3	3 / 3 / 3
Dry Mode	–	●	●	●	●	●	●	●	●	●	●	●	●
Auto Mode	–	●	●	●	●	●	●	●	●	●	●	●	●
Energy Saver	–	●	●	●	●	●	●	●	●	●	●	●	●
Sleep Mode	–	●	●	●	●	●	●	●	●	●	●	●	●
Auto Restart Function	–	●	●	●	●	●	●	●	●	●	●	●	●
Filter Check	–	●	●	●	●	●	●	●	●	●	●	●	●
		250 hours	250 hours	250 hours	250 hours	250 hours	250 hours	250 hours	250 hours	250 hours	250 hours	250 hours	250 hours
24 Hour On/Off Timer	–	●	●	●	●	●	●	●	●	●	●	●	●
C/F Shift Function	–	●	●	●	●	●	●	●	●	●	●	●	●
Digital Display on Unit	–	●	●	●	●	●	●	●	●	●	●	●	●
Air Direction Control	2 Directions	2 Directions	2 Directions	Full Range	Full Range	Full Range	Full Range	Full Range	Full Range	Full Range	Full Range	Full Range	Full Range
Filter Access	Slide-out	Slide-out	Slide-out	Tilt-out	Tilt-out	Tilt-out	Tilt-out	Tilt-out	Tilt-out	Tilt-out	Tilt-out	Tilt-out	Tilt-out
Slide-out Chassis	Fixed	Fixed	Fixed	Fixed	Fixed	Fixed	Slide-out	Slide-out	Slide-out	Slide-out	Slide-out	Slide-out	Slide-out
Rear Grill	–	–	–	–	–	–	●	●	●	●	●	●	●
FRESH AIR (air exchanger)	–	–	–	–	●	●	●	●	●	●	●	●	●

The above specifications are subject to change without notice.
Please refer to the sizing guide on page 2 for square footage/BTU recommendations (values suggested by "energy star" website).
© 2013 Midea America Corp.

		SLIDER/CASEMENT		THROUGH-THE-WALL					
MWK-18ERN1-M17	MWK-25ERN1-M14	MWL-10CRN1-B15	MWL-12CRN1-B15	MWW-08CRN1-B14	MWW-10CRN1-B14	MWW-12CRN1-MH4	MWW-12ERN1-MH0	MWW-14CRN1-MH5	MWW-14ERN1-MH5

-	●	-	-	●	●	●	-	-	-
700-1000	1400-1500	400-450	450-550	300-350	400-450	450-550	450-550	550-700	550-700
18500 / 18200	25000 / 24700	10000	12000	8000	10000	12000 / 11700	12000 / 11700 10600 / 8600	14000 / 13600	14000 / 13600 10600 / 8600
16000 / 13000	-	-	-	-	-	-	10600 / 8600	-	10600 / 8600
5.5	8.0	2.6	3.5	1.8	2.6	3.5	3.5	4.3	4.3
459	541	339	314	283	282	295	286	318	312
9.7	9.4	9.5	9.5	9.4	9.4	9.4	9.0	8.5	8.5

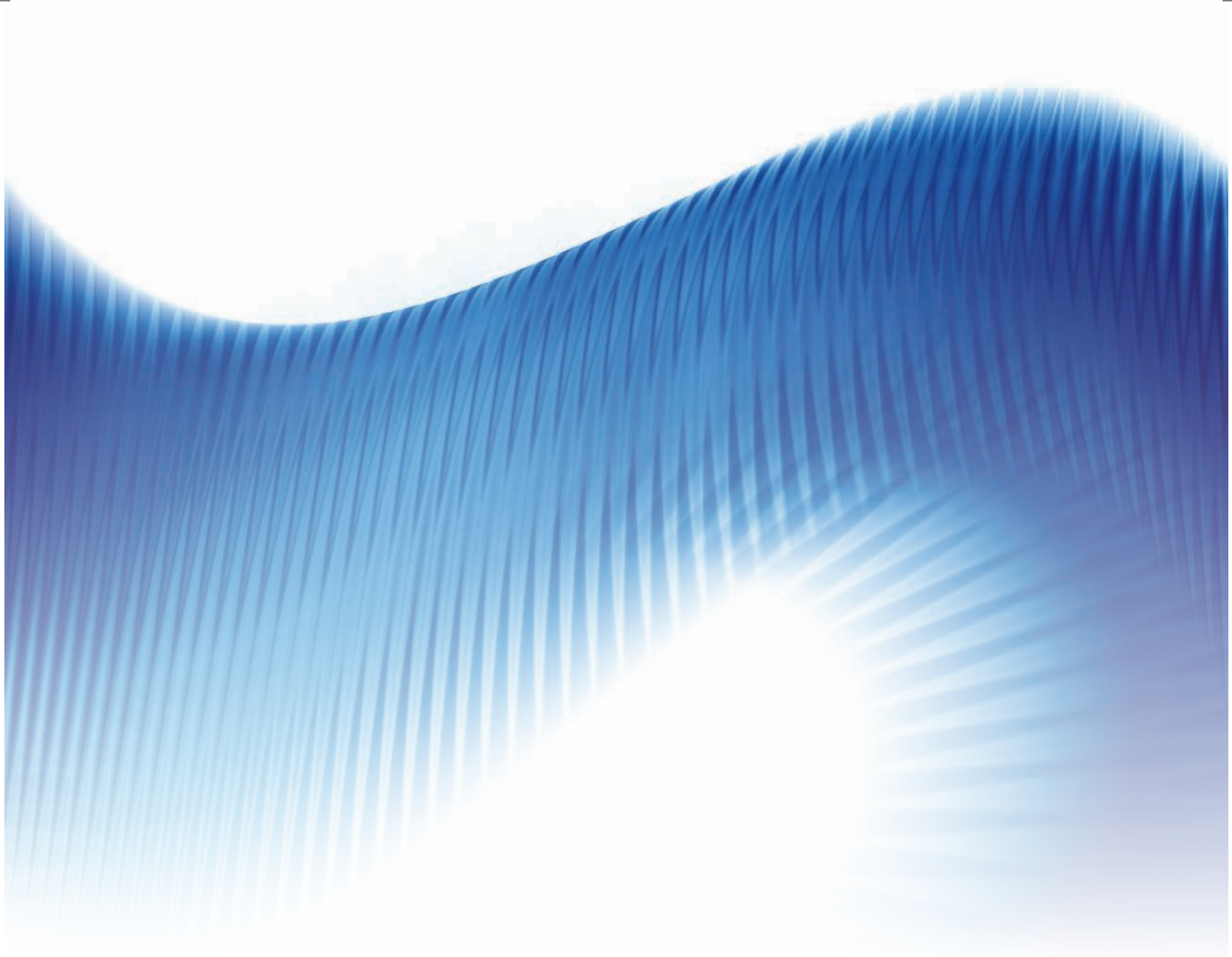
230 / 208V	230 / 208V	115V	115V	115V	115V	230 / 208V	230 / 208V	230 / 208V	230 / 208V
8.4 / 9.1	12.0 / 12.8	9.2	11.0	8.0	9.8	6.3 / 6.9	6.0 / 6.6	7.4 / 8.3	7.4 / 8.3
22.0 / 20.0	22.5 / 20.0	-	-	-	-	-	15.0 / 13.5	-	15.0 / 13.5
1900 / 1880	2660 / 2630	1060	1270	850	1064	1277 / 1245	1330 / 1300	1647/1600	1647/1600
4689 / 3810	4689 / 3810	-	-	-	-	-	3107 / 2521	-	3107 / 2521
LCDI 6-30P 20A	LCDI 6-30P 30A	LCDI 5-15P 15A	LCDI 5-15P 15A	LCDI 5-15P 15A	LCDI 5-15P 15A	LCDI 6-15P 15A	LCDI 6-20P 20A	LCDI 6-15P 15A	LCDI 6-20P 20A
AWG12x3	AWG12x3	AWG14x3	AWG14x3	AWG16x3C	AWG14x3	AWG14x3	AWG12x3C	AWG14x3C	AWG12x3C

23 5/8	26 9/16	14 9/16	14 9/16	24 1/16	24 1/16	24 1/16	24 1/16	24 1/16	24 1/16
25 1/2	26 5/8	23 11/16	23 11/16	20 1/4	20 1/4	20 1/4	20 1/4	20 1/4	20 1/4
17 3/16	18 1/2	20 1/2	20 1/2	14 1/2	14 1/2	14 1/2	14 1/2	14 1/2	14 1/2
26	29 1/2	18 1/2	18 1/2	27 15/16	27 15/16	27 15/16	27 15/16	27 15/16	27 15/16
29 15/16	31 1/4	26 9/16	26 9/16	26 9/16	26 9/16	26 9/16	26 9/16	26 9/16	26 9/16
19 11/16	20 1/2	23 1/16	23 1/16	16 9/16	16 9/16	16 9/16	16 9/16	16 9/16	16 9/16
111 / 125	128 / 143	69 / 81	76 / 89	59 / 69	61 / 69	65 / 77	73 / 83	68 / 79	74 / 84

26 1/2 / 40 1/2	31 / 42	15 1/2 / 16 1/4	15 1/2 / 16 1/4	-	-	-	-	-	-
18 1/2	19	21 1/4	21 1/4	-	-	-	-	-	-

Electrical	Electrical	Electrical	Electrical	Electrical	Electrical	Electrical	Electrical	Electrical	Electrical
3 / 3 / 3	3 / 3 / 3	3 / 3 / -	3 / 3 / -	3 / 3 / -	3 / 3 / -	3 / 3 / -	3 / 3 / 3	3 / 3 / -	3 / 3 / 3
●	●	●	●	●	●	●	●	●	●
●	●	●	●	●	●	●	●	●	●
●	●	●	●	●	●	●	●	-	-
●	●	●	●	●	●	●	●	●	●
●	●	●	●	●	●	●	●	●	●
●	●	●	●	●	●	●	●	●	●
250 hours	250 hours	250 hours	250 hours	250 hours	250 hours	250 hours	250 hours	250 hours	250 hours
●	●	●	●	●	●	●	●	●	●
●	●	●	●	●	●	●	●	●	●
●	●	●	●	●	●	●	●	●	●
Full Range	Full Range	Full Range	Full Range	Full Range	Full Range	Full Range	Full Range	Full Range	Full Range
Tilt-out	Tilt-out	Slide out	Slide out	Slide out	Slide out	Slide out	Slide out	Slide out	Slide out
Slide-out	Slide-out	Fixed	Fixed	Fixed	Fixed	Fixed	Fixed	Fixed	Fixed
●	●	●	●	●	●	●	●	●	●
●	●	●	●	-	-	-	-	-	-

An Excellent Choice in Cooling, Comfort and Convenience



Midea America Corp.
4 Campus Drive
Parsippany, NJ 07054
Tel: 973-539-5330
Fax: 973-539-5336
mideaamericacorp.com

Specifications and appearance are subject to change without notice.
© 2013 Midea America Corp.

