

Replacement Flag (Model 5285) Installation Instructions

Thank you for purchasing this premium mailbox accessory item. We know you'll be satisfied with the years of service it will provide. If you have any questions about how to mount or use this plaque, or if you need any replacement parts, please call us directly at (800) 464-7491 or contact us at www.architecturalmailboxes.com.

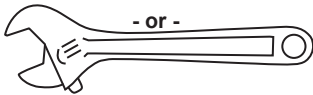
Assembly Instructions

Tools (not included)

Socket wrench



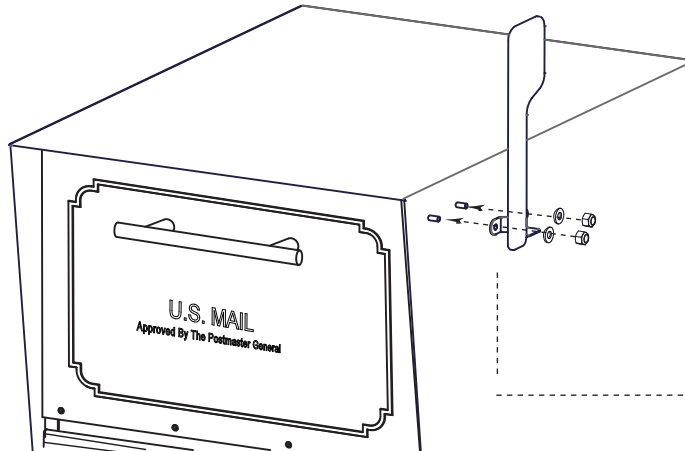
- or -



screwdriver



A For Architectural Mailboxes with built-in threaded studs



1

Attach the flag to the built-in studs and secure with the two nuts and washers. Tighten only until snug.







DO NOT overtighten nuts or it may damage the threaded studs.

flag x1
washers x2
nuts x2

Replacement Flag (Model 5285) Installation Instructions

Hardware (included)

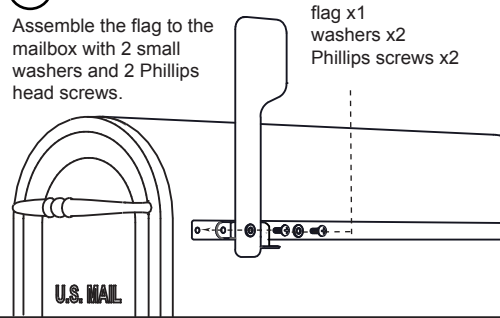
-  x 4 small washers
-  x 2 small hex nuts
-  x 2 Phillips head screws
-  x 1 flag adapter

NOTE: If you plan to install your mailbox in a masonry column, the flag can be mounted directly on the outside of the column with masonry hardware (not included).

B For Architectural Mailboxes with three flag mounting holes

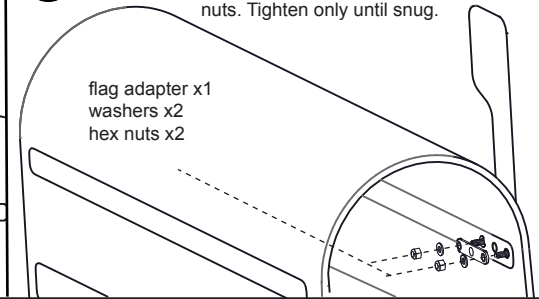
1

Assemble the flag to the mailbox with 2 small washers and 2 Phillips head screws.



2

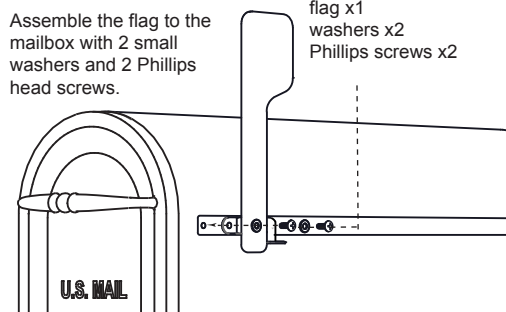
Secure through the inside of the mailbox with the flag adapter, 2 small washers and 2 small hex nuts. Tighten only until snug.



C For Architectural Mailboxes with two flag mounting holes

1

Assemble the flag to the mailbox with 2 small washers and 2 Phillips head screws.



2

Secure through the inside of the mailbox with 2 small washers and 2 small hex nuts. Tighten only until snug.

