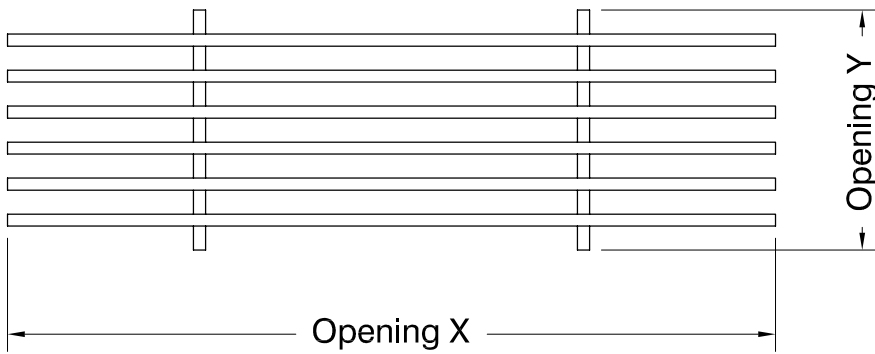
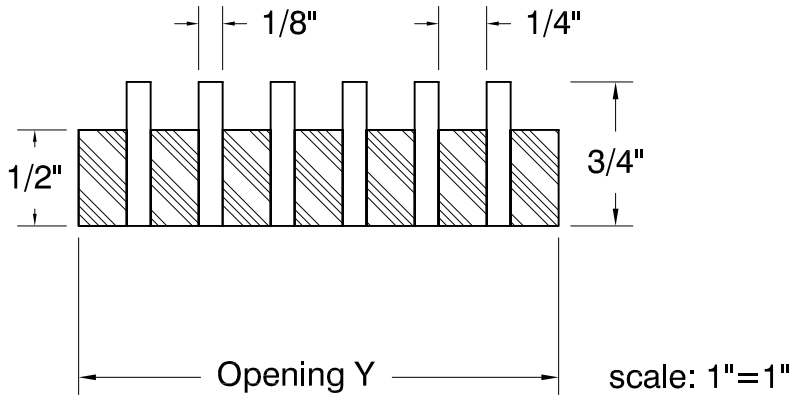
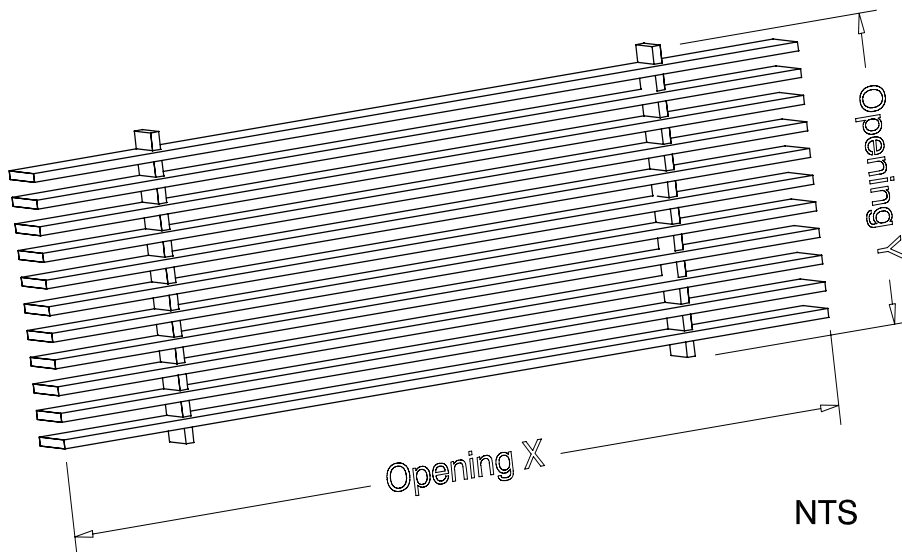


AG-10 CORE ONLY



NTS



REQUIREMENTS

MATERIAL: 90 % Reclaimed Aluminum

THICKNESS: 3/4" depth

FINISH:

MOUNTING: CORE ONLY

SIZES (Opening)

QTY	X	Y

DATE

APPROVED

-

JOB #

QUOTE #

NOTE:

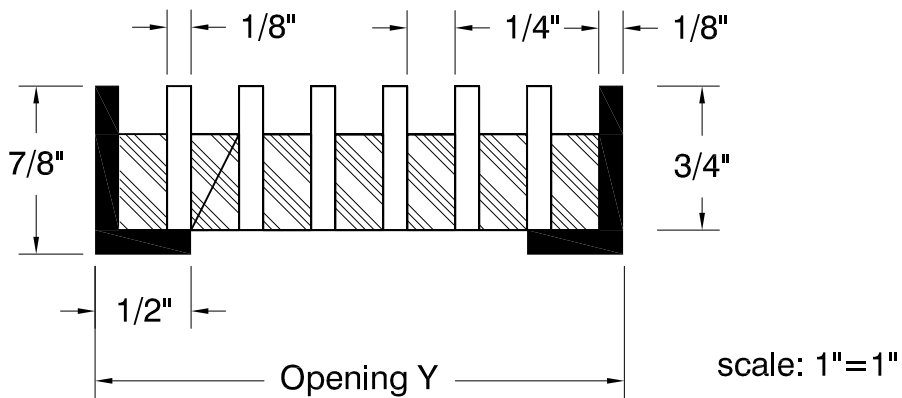


ARCHITECTURAL GRILLE

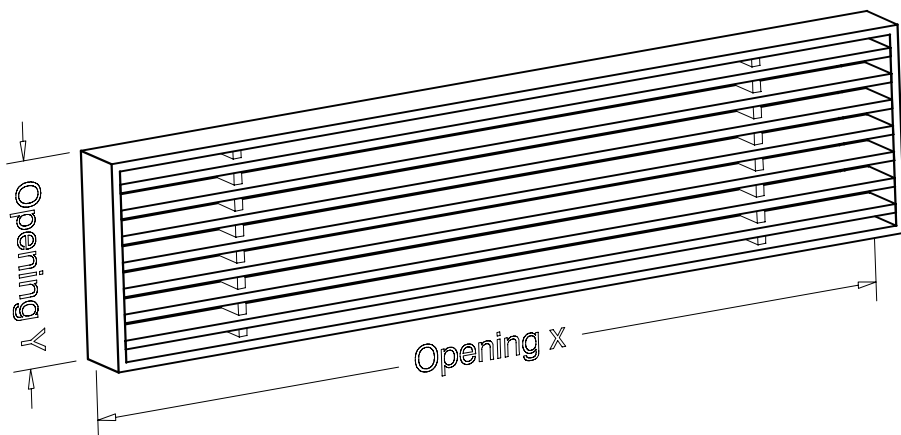
42 SECOND AVE
 BROOKLYN, NY 11215
 718-832-1200
 FAX: 718-832-1390

CUSTOMER:

AG-10 A-FRAME



NTS



NTS

REQUIREMENTS

MATERIAL: 90 % Reclaimed Aluminum

THICKNESS: 7/8" depth

FINISH:

MOUNTING: A-FRAME

SIZES (Opening)

QTY	X	Y

DATE APPROVED

-

JOB #

QUOTE #

NOTE:

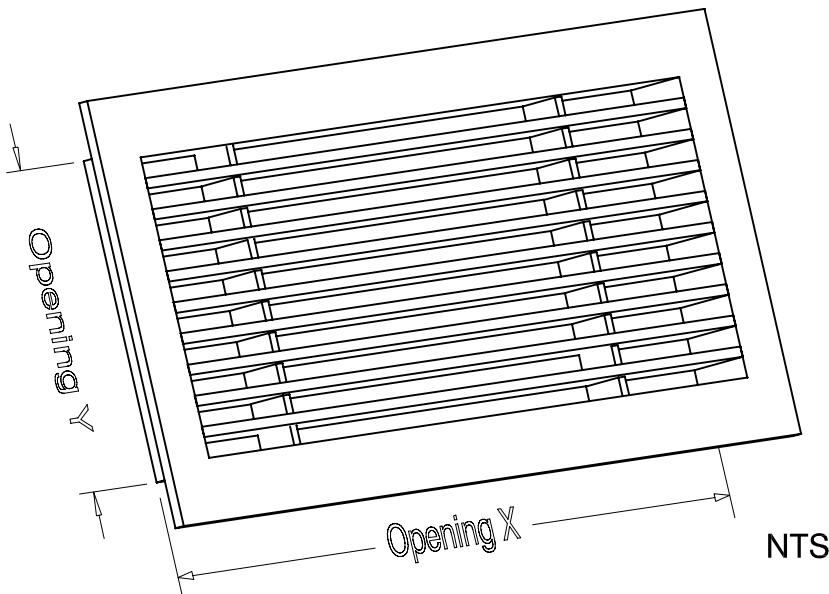
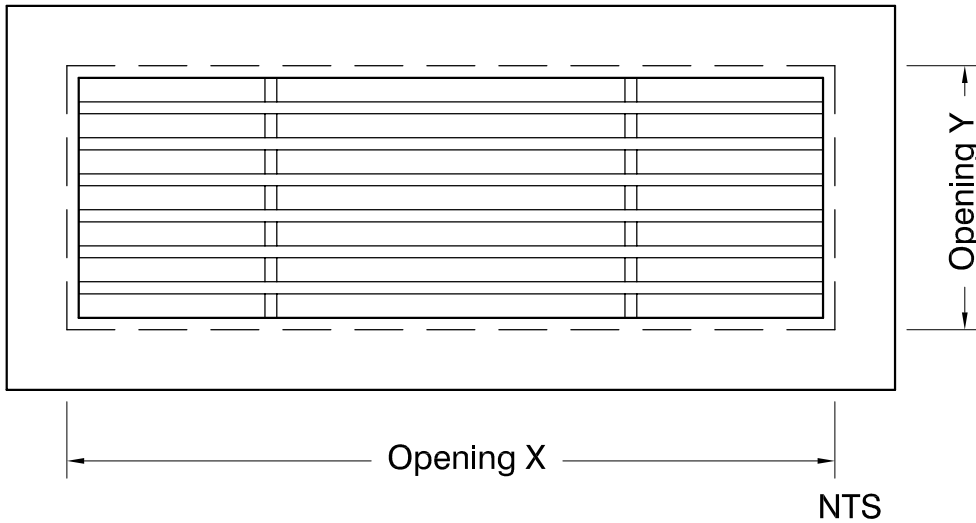
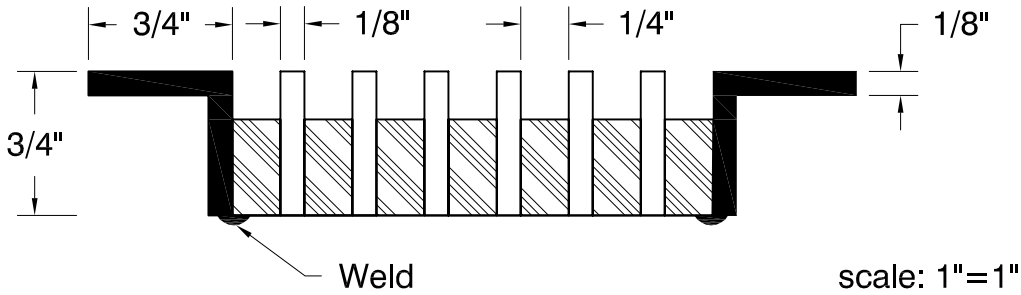


ARCHITECTURAL GRILLE

42 SECOND AVE
BROOKLYN, NY 11215
718-832-1200
FAX: 718-832-1390

CUSTOMER:

AG-10 B-FRAME



REQUIREMENTS

MATERIAL: 90 % Reclaimed Aluminum

THICKNESS: 3/4" depth

FINISH:

MOUNTING: B-FRAME

SIZES (Opening)

QTY	X	Y

DATE

APROVED

JOB #

QUOTE #

NOTE:

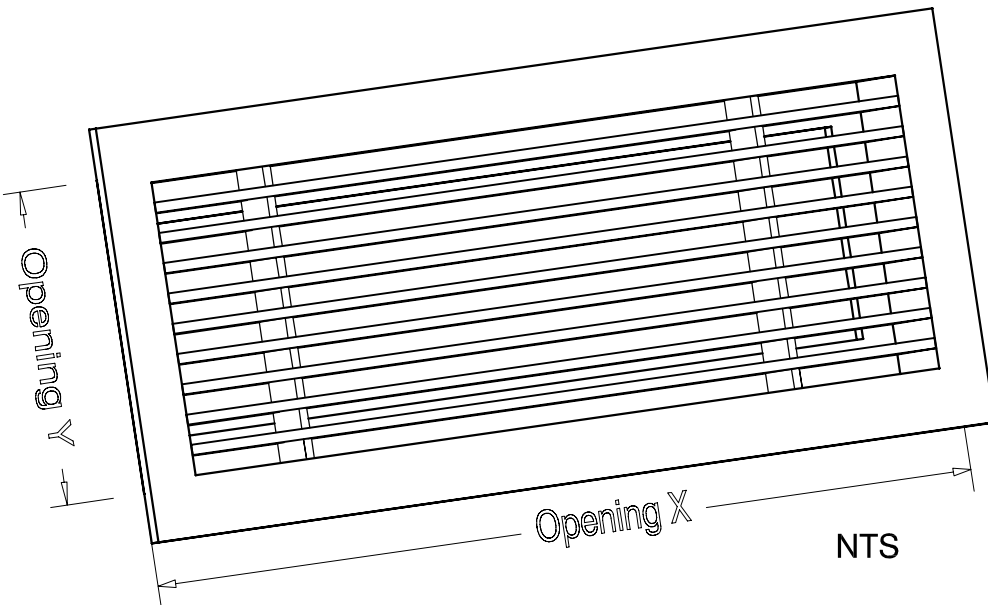
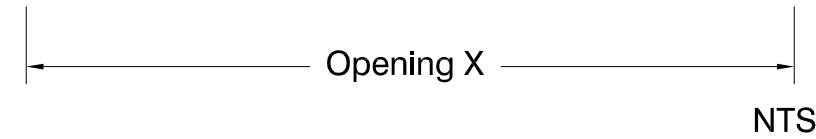
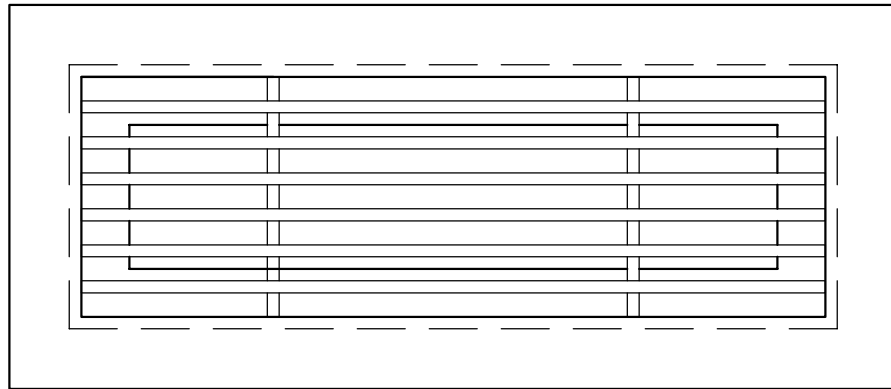
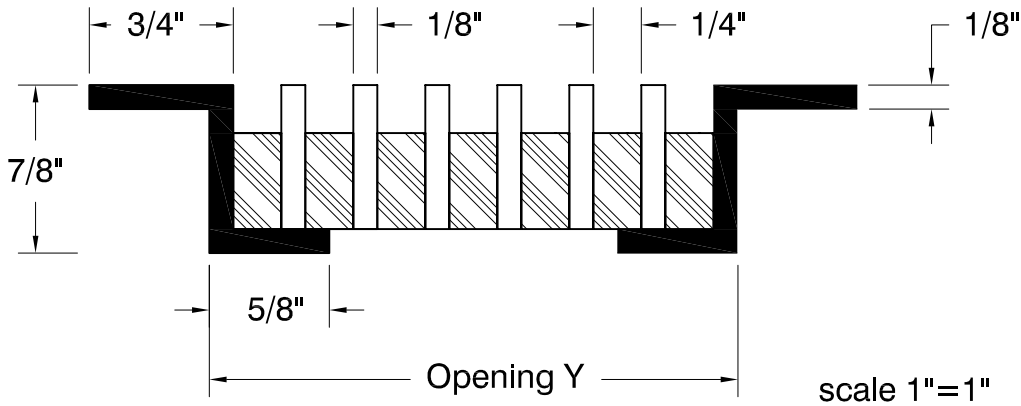


ARCHITECTURAL GRILLE

42 SECOND AVE
 BROOKLYN, NY 11215
 718-832-1200
 FAX: 718-832-1390

CUSTOMER:

AG-10 C-FRAME



REQUIREMENTS

MATERIAL: 90 % Reclaimed Aluminum

THICKNESS: 7/8" depth

FINISH:

MOUNTING: A-FRAME

SIZES (Opening)

QTY	X	Y

DATE APROVED

JOB #

QUOTE #

NOTE:



ARCHITECTURAL GRILLE

42 SECOND AVE
 BROOKLYN, NY 11215
 718-832-1200
 FAX: 718-832-1390

CUSTOMER:
