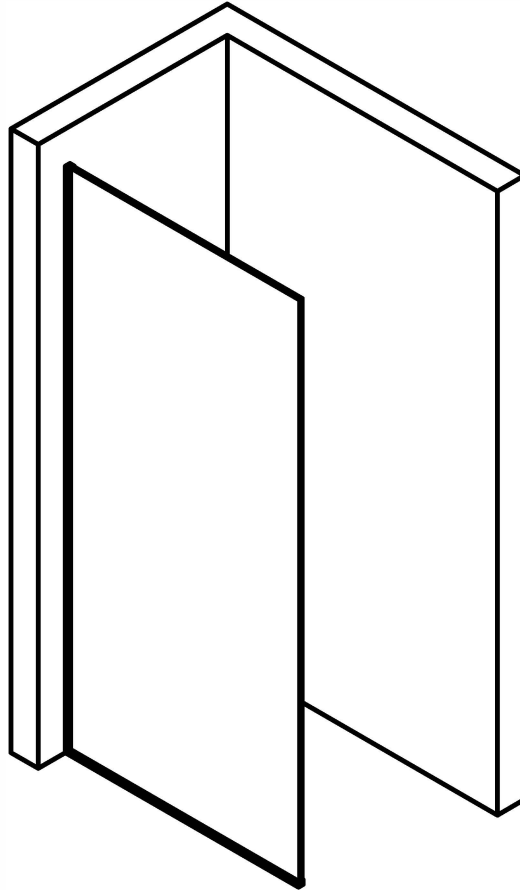


ANZZI®

Item: SD-AZFL06001**
ANZZI GLASS SHOWER DOOR
INSTALL & OPERATION MANUAL
V1.3



DON'T WAIT! REGISTER NOW!

Register your product within 90 days to ensure your product is recognized as an official purchase and is eligible for warranty coverage.

Mail in the completed registry card (Pg. 2) or register online at www.swcorp.com/register.



PRODUCT REGISTRATION*

IMPORTANT: YOUR WARRANTY WILL NOT BE RECOGNIZED UNLESS THIS CARD IS FULLY COMPLETED AND RETURNED OR ONLINE REGISTRATION IS COMPLETED.

To ensure that your warranty is registered and confirmed please do one of the following:

- 1. Register online at www.swcorp.com/register.** You will be asked to fill out the same information you would in the registration card. Registering online is fast, secure and ensures we receive your information.
- 2. Complete, cut-out and mail the registration card below.** By returning this registration card we confirm the date of purchase for your new product. This confirmation will allow us to process any warranty claims.

Mail the card to: 5701 NW 35 Avenue, Miami, FL 33142



CUT ALONG
DOTTED LINE.

Product Registration Card

Name..... Address

City.....State..... Zip.....

Phone Email.....

Date of Purchase

Installer's Name Phone

I have read the Owner's Manual carefully and understand and agree that any installation, operation or maintenance of the product must be done strictly in accordance with instructions and guidelines contained in the owner's manual and installation guide.

Signature..... Date.....

Need help? For technical support call **305-614-4070** or visit us at www.ANZZI.com

INSTALLATION GUIDE

- Please check the product for transit damage, missing parts immediately. Damage reported later cannot be accepted. Please handle the product with care. Avoiding any impact on all sides and edges of the glass.
- Consult your local plumbing codes prior to installation.
- To reduce the risk of breakage, keep corner protectors on glass while installing.
- If this unit is going to be installed in a new construction, please install all of the required plumbing and drainage before installing the shower. Use a competent and licensed (if required by local code) plumber for all plumbing installation.
- Please make sure that prior to beginning the installation, the surfaces are leveled and solid and will be able to support the total weight of the unit. Also make sure the walls are at right angles. Irregular installation surface level, radius corners or improper angle of side walls will result in serious problems for your installation. Please note that some adjustments and drilling might be necessary during the installation process.
- Please protect all primary surfaces of the product during installation. Never set your glass down directly onto a tile floor. Leave corner protectors in place until necessary to remove them. Always use a piece of wood or cardboard to protect the bottom edge and corners of the glass prior to and during installation.



WARNING

- Special care should be taken to avoid hidden pipes or electrical cables when drilling holes on walls .
- This product is heavy and may require two people to install.
- When cutting or drilling metal components or when handling glass, to reduce the risk of personal injury, protective eye wear, gloves, and closed-toe shoes are required.
- Failure to install this product according to installation instructions may result in personal injury, property damage, or product failure, and may void the warranty.

INSTALLATION GUIDE

WARNING

- Threshold must be level for proper installation.
- The installation of this unit requires that you drill down into the threshold. Contact the manufacturer of the base, or threshold material with any questions regarding the drilling of holes into their product.

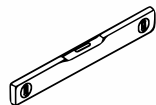
Tools Required



● This product is heavy and may require two people to install.



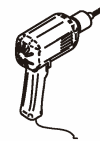
Philips
Screwdriver



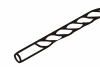
Level



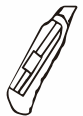
Tape
measure



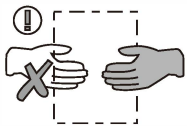
Drill



Ø5/16"
(8mm)
Drill bit



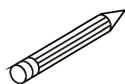
Knife



● Use cut-resistant, non-slip gloves to reduce the risk of personal injury and hold the glass firmly.



100%
Silicone
Sealant



Pencil



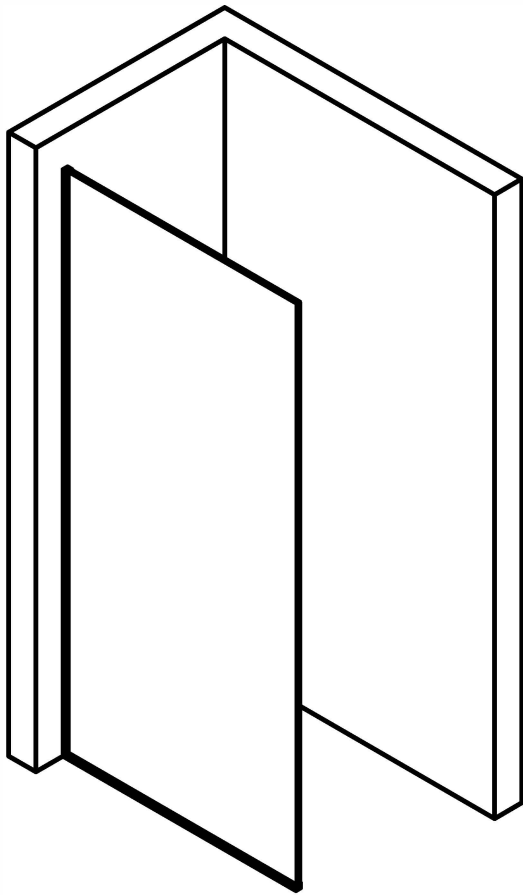
Rubber
mallet



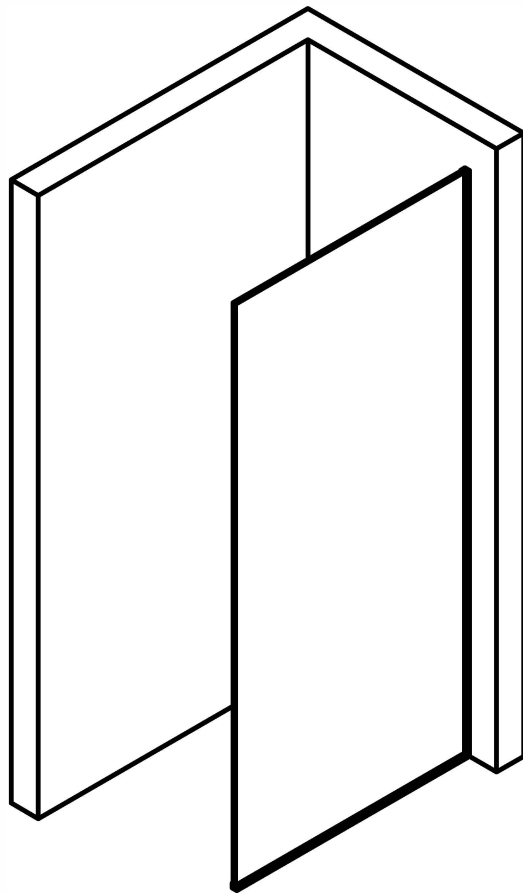
Safety
Glass



Stud finder

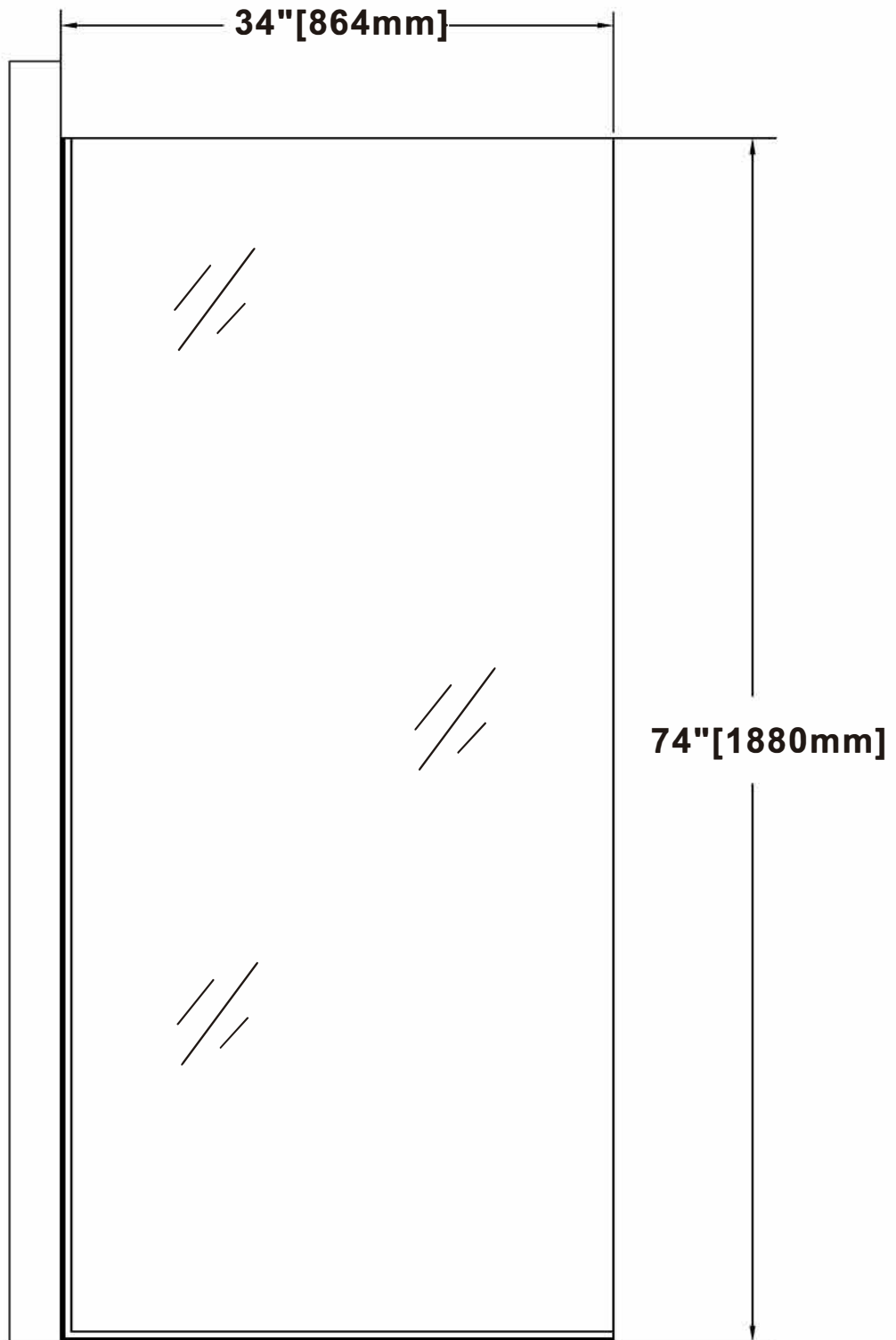


Left-hand door installation shown



Right-hand door installation shown

DIMENSIONS



PARTS



[01] Plastic anchor X6



[02] Screw ST5X40mm[1-9/16"] X6



[03] Vertical Rail X1



[04] Vertical Rail Seal Strip X1



[05] Fixed Panel X1

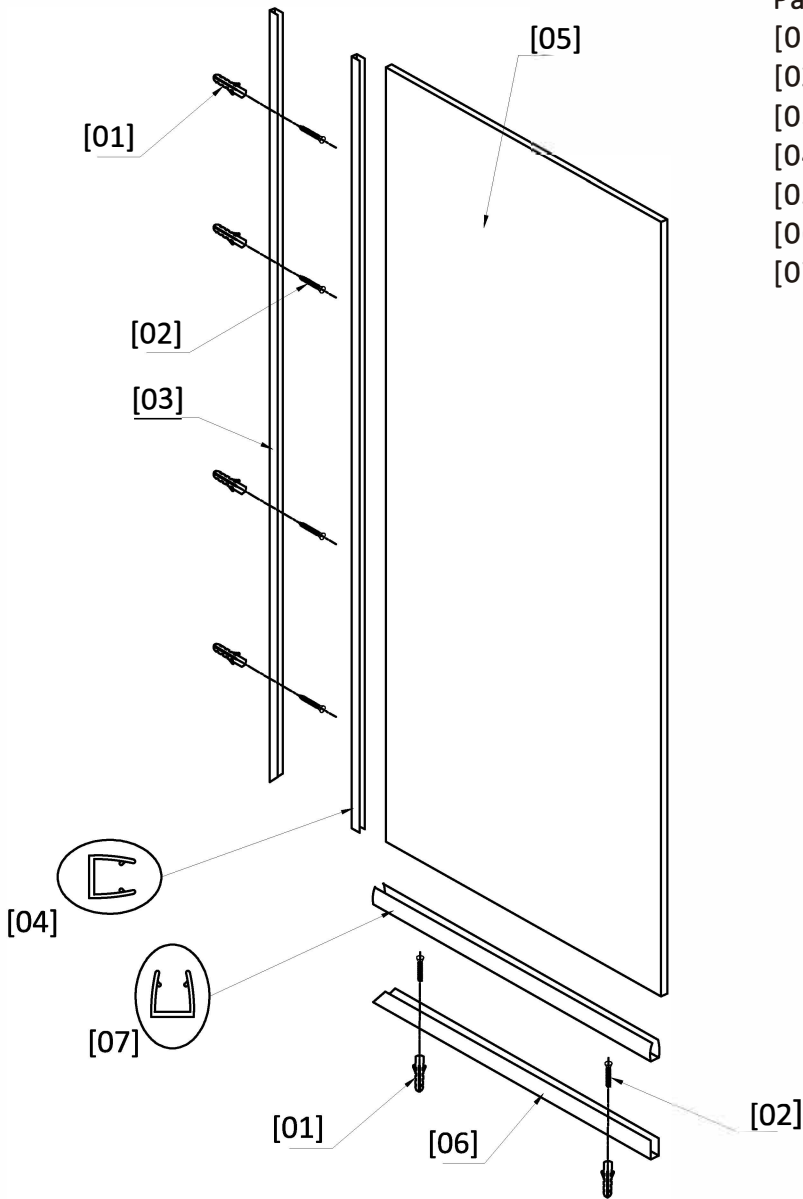


[06] Bottom Rail X1



[07] Bottom Rail Seal Strip X1

ASSEMBLY



Part	Discription	Qty.
[01]	Wall Plug	6
[02]	Screw ST5X40mm[1-9/16"]	6
[03]	Wall Jamb	1
[04]	Wall Jamb Seal	1
[05]	Fixed Panel	1
[06]	Bottom Rail	1
[07]	Bottom Rail Seal	1

GLASS THICKNESS: 10mm / 3/8"

NOTE: INSTALLATION MUST BE DONE BY A QUALIFIED, LICENSED PROFESSIONAL.

⚠ ATTENTION

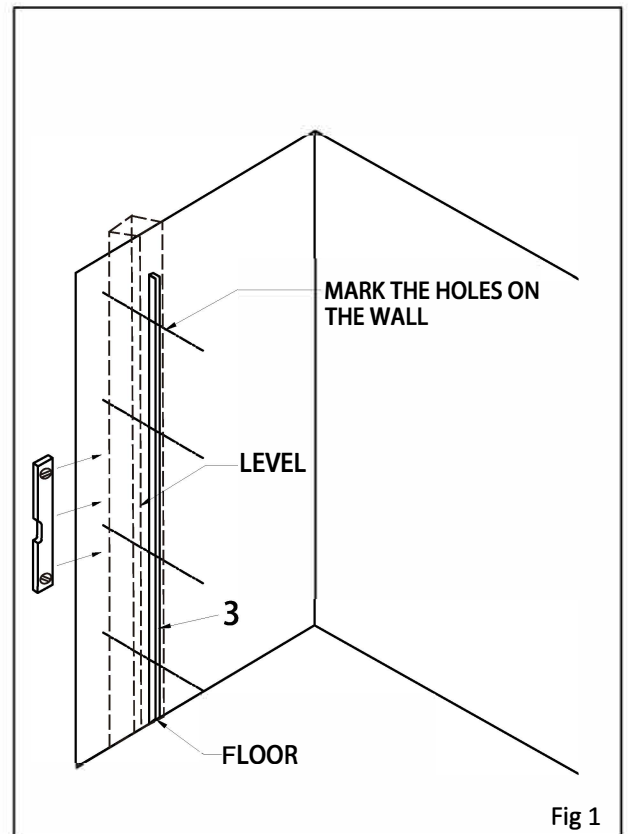
● To avoid personal injury or property damage, identify components and read all instructions before installing.

INSTALLATION STEPS

Step 1

● This shower door must be installed into a stud. Minimum threshold space is required. **IMPORTANT:** Using a stud finder, ensure that the wall on both side of the enclosure has a stud in the location shown. A stud in this location must be identified to support the support bar in order to proceed with the installation. If you do not have a stud in this area shown, find a qualified person for advise. (Fig 1)

1. Place the **Wall Jamb[03]** to the intended position. Make sure the **Wall Jamb[03]** is resting on the floor or base and is level. The end that should be resting on the floor has a 45° angle. Mark the center of the holes on the wall for the mounting screws.

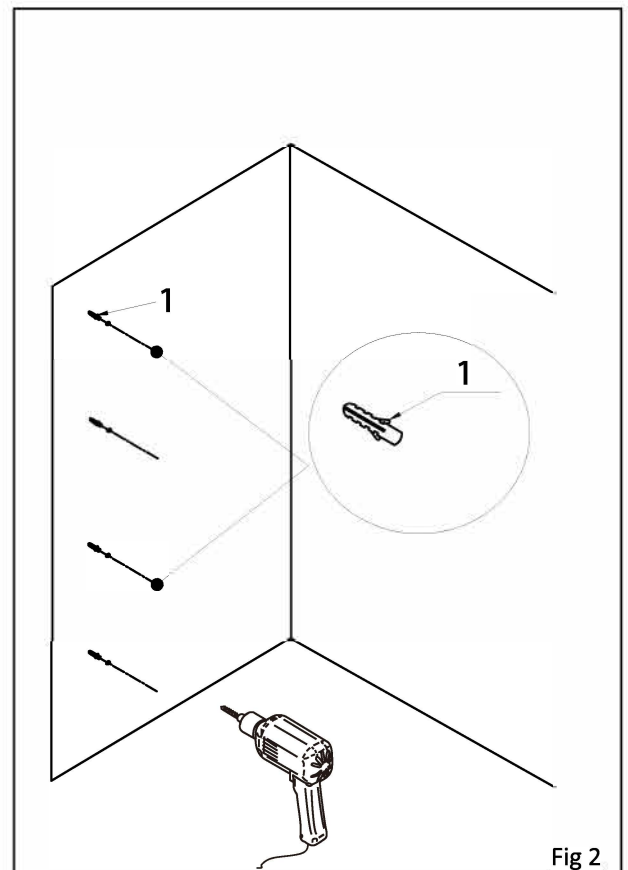


Step 2

1. Remove the **Wall Jamb[03]** and drill hole $\text{Ø}5/16\text{''} \times 1-9/16\text{''}$ (8X40mm) into the wall where marked. Place **Wall Plugs [01]** inside the holes.

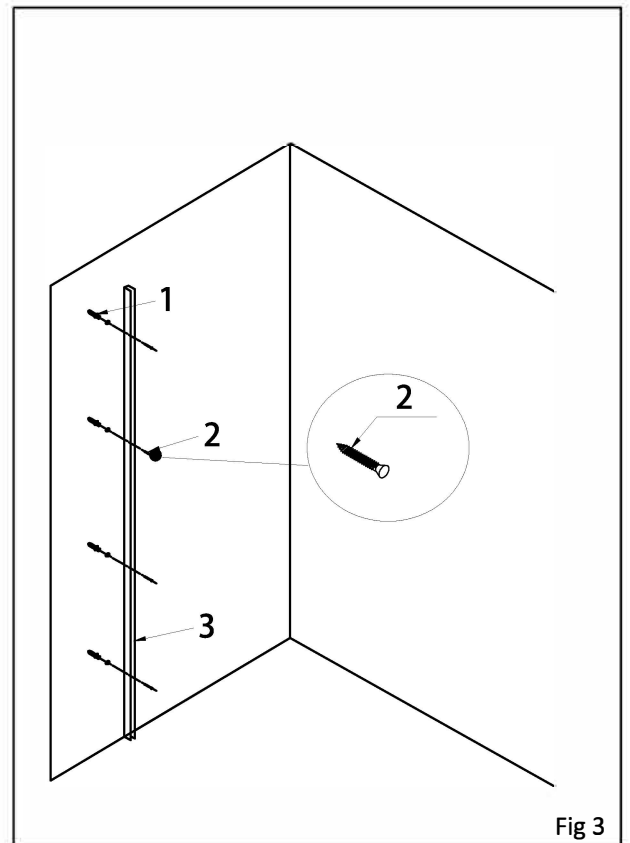
2. If needed, a rubber mallet can be used to insert **Wall Plugs[01]**.

3. To reduce risk of property damage, the use of metal hammers is not recommended. If needed, use drill to slightly enlarge the opening of the hole. **IMPORTANT: Wall Plugs [01] MUST be used.**



Step 3

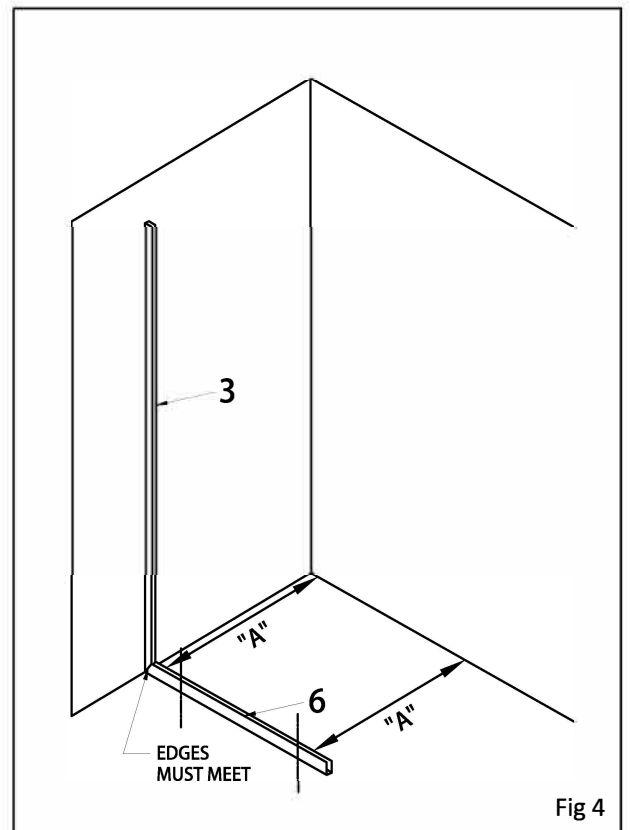
1. Replace the **Wall Jamb [03]**. Tighten the screws by the allen key.



Step 4

1. Position the **Bottom Rail [06]** on the floor, perpendicular to the **Wall Jamb [03]**. Both **Wall Jamb [03]** and **Bottom Rail [06]** have a 45° angle to ensure a perfect connection. Make sure their edges match. Measure the distance from each end of **Bottom Rail [06]** to the back wall to be sure the bottom rail is straight. They should be the same.

2. Using a pencil, mark location of all four screw holes for **Bottom Rail [06]** (Fig 4).



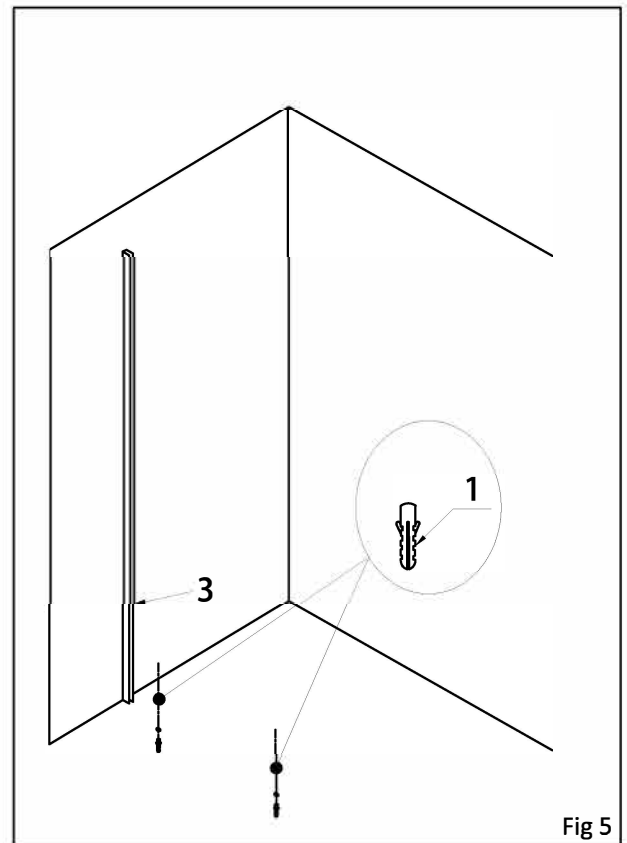
Step 5

1. Remove the **Bottom Rail [06]** and drill hole into the floor where marked. Place **Wall Plugs [01]** inside the holes.

2. If needed, a rubber mallet can be used to insert **Wall Plugs [01]**.

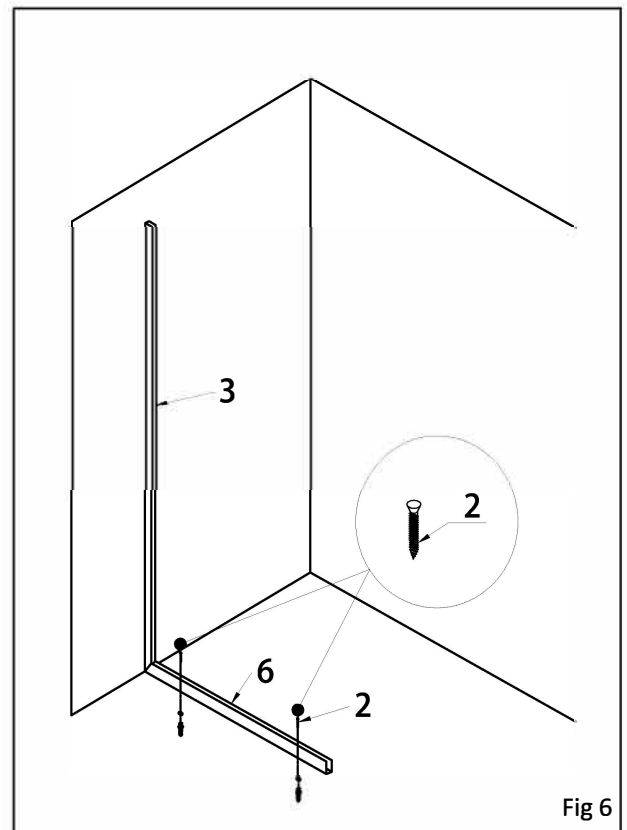
3. To reduce risk of property damage, the use of metal hammers is not recommended. If needed, use drill to slightly enlarge the opening of the hole.

IMPORTANT: Wall Plugs [01] MUST be used.



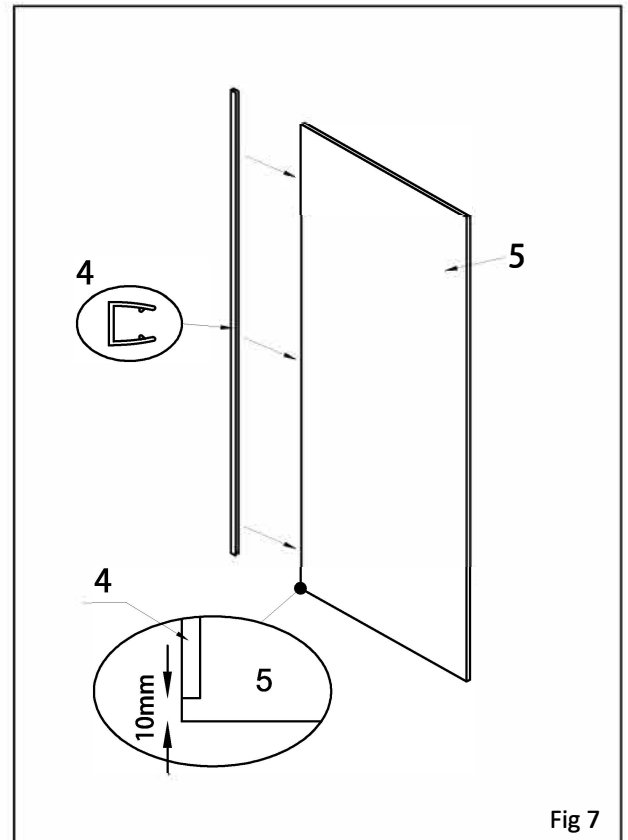
Step 6

1. Replace the **Bottom Rail [06]**. Tighten the screws by the allen key.



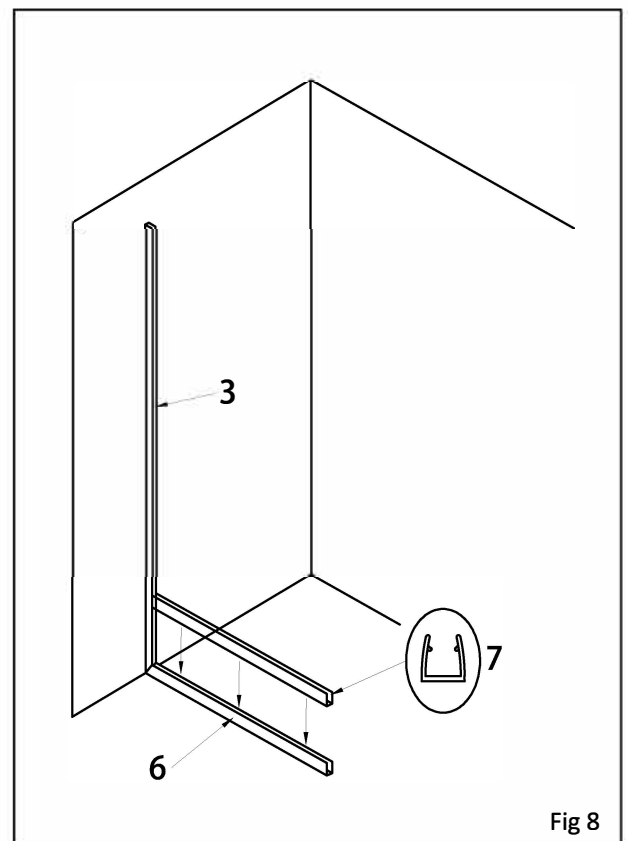
Step 7

1. Clean the **Fixed Panel [05]** with rubbing alcohol. Install the **Wall Jamb Seal [04]** to the **Fixed Panel [05]**. The top end of the **Wall Jamb Seal [04]** should meet the top of the glass. The bottom end should leave a gap of 10mm from the bottom of the glass.



Step 8

1. Install the **Bottom Rail Seal [07]** to the **Bottom Rail [06]**.



Step 9

1. Install the **Fixed Panel [05]** into the **Bottom Rail [06]** by placing the corner of the bottom of the fixed panel inside the outside edge of the **Bottom Rail [06]**. Then install the rest of the **Fixed Panel [05]** into the **Bottom Rail [06]**.

ATTENTION! The Tsunami Guard coated side of the glass panel should face into the shower while the uncoated side faces out of the shower. The Fixed Panel [5] has a sticker(s) indicating which side should face in and out.

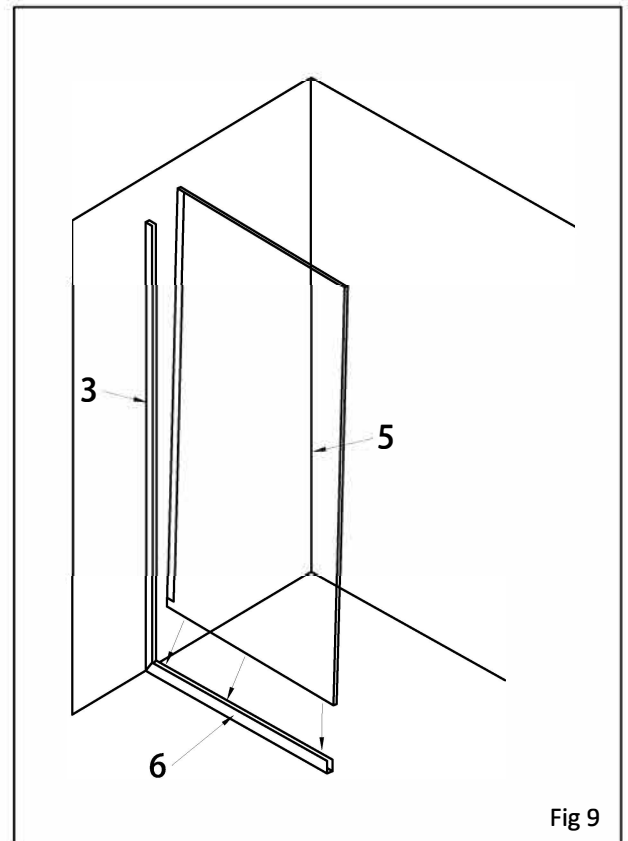


Fig 9

Step 10

1. Once the **Fixed Panel [05]** is sitting in the **Bottom Rail [06]**, you may still have to push the **Fixed Panel [05]** into the **Wall Jamb [03]** to complete installation. Make sure the **Fixed Panel [05]** is completely in the **Wall Jamb [03]**.

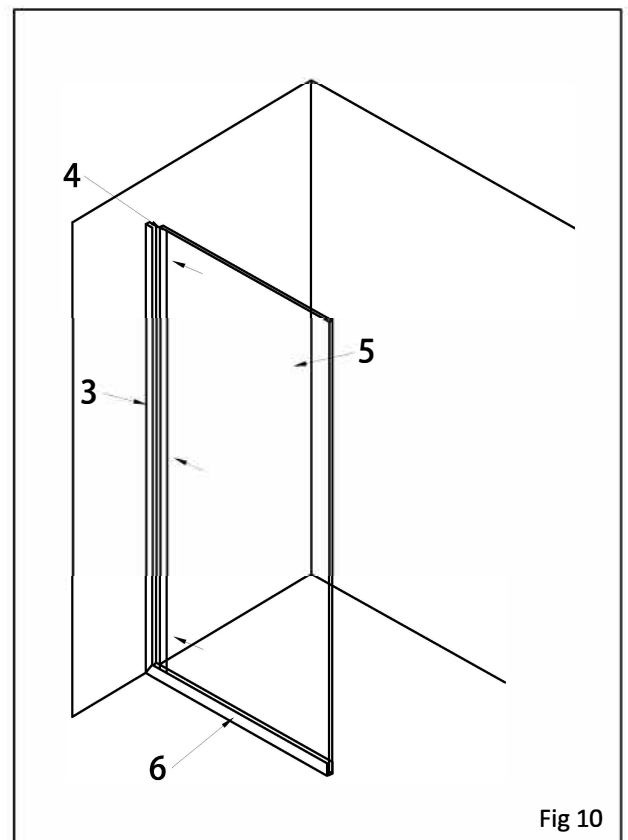
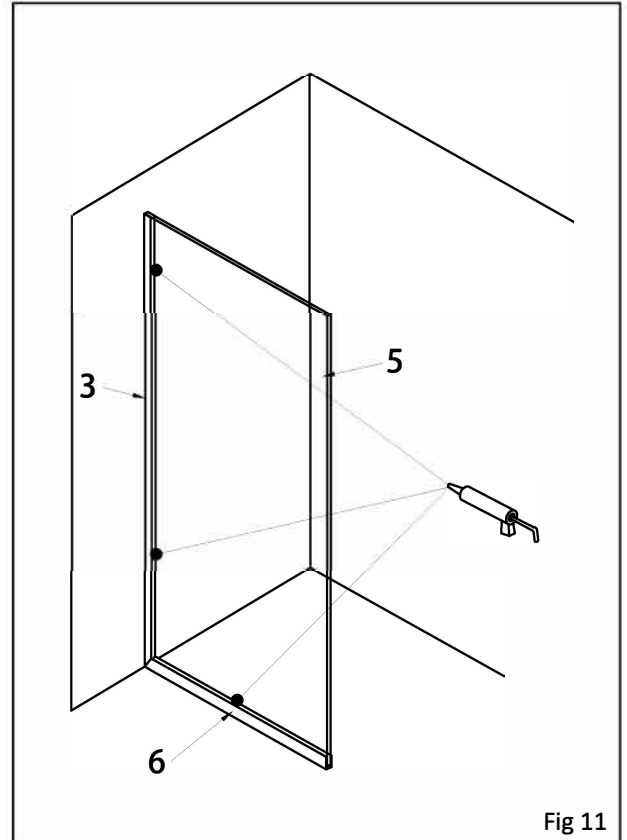


Fig 10

Step 11

1. Apply a good quality Silicone Sealant on the **Wall Jamb [03]** and **Bottom Rail [06]** along the bottom profile and wall profiles (Fig 11).



The sealant should be applied to the interior edge.



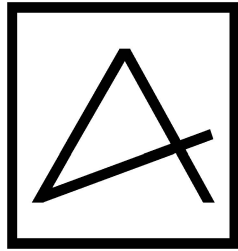
Allow 24 hours for silicone to dry before use.

Care & Maintenance

GLASS: To ensure long lasting life for your glass shower products: wipe them off after each use with a soft cloth. Rinse and wipe off the glass using either a soft cloth or a squeegee to prevent soap buildup and water spots (Hard water can etch the surface of the glass over time if left to dry). To prevent scratching the surface: never use abrasive cleaners or cleaning products that contain scouring agents. Never use bristle brushes or abrasive sponges that may scratch the surface.

HARDWARE: To ensure a long lasting finish: wipe off the metal parts after each use with a soft cloth. Do not use abrasive cleaners or cleaning products containing ammonia, bleach or acid. If accidentally used, rinse the surface as soon as possible to prevent damage to the finish (peeling or corrosion). After cleaning the polished finishes, rinse thoroughly and wipe dry with soft cloth. Clean stainless steel surfaces at least once a week. When applying stainless steel cleaner or polish to stainless steel hardware, work with (not across) the grain. Never use an abrasive sponge or cloth, steel wool or wired brush as these may permanently scratch the surfaces.

NOTE: To maximize the life of your door, it is important to regularly inspect the glass and all hardware for misalignment, proper attachment, and/or damage. Contact ANZZI with any questions or concerns.



ANZZI®