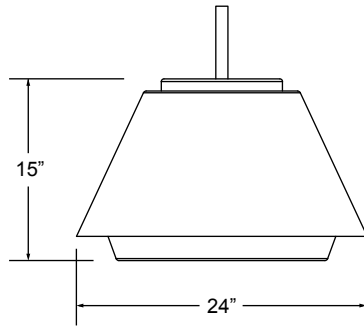


Project: \_\_\_\_\_

Fixture Type: \_\_\_\_\_ Quantity: \_\_\_\_\_

Customer: \_\_\_\_\_



### Specifications

**Material:**  
Shades are constructed of heavy duty spun aluminum.

**Lens:**  
Diffused acrylic lens is standard.

**Electrical:**  
Universal voltage 120-277 is standard. 0-10V, TRIAC and ELV dimming protocols are standard. (24w is 0-10v only) See page 2 table for LED module and driver specs, voltage and dimming protocols.

**Certifications:**  
UL Listed for dry locations.

**Finish:**  
A polyester powder coat high quality finish is electro-statically applied and baked at 430° for exceptional durability and color retention. Products undergo an intensive five-step cleansing and pretreatment process for maximum paint adhesion.

Canopy finish will match cord color.

**Modifications:**  
Consult factory for custom or modified luminaires.

## MDS24

LED

Weight: 6.0 lbs

### Catalog Logic

<b>MDS24</b>	<b>M010LD</b>	<b>27K</b>	<b>UNV</b>	<b>BLC-5W</b>	<b>EMG-LED5</b>	<b>56</b>	<b>41</b>	<b>56</b>
RLM Style	Light Source & Wattage	CCT	Voltage	Mounting	Accessories	Outer Shade Finish	Inner Shade Finish	Trim Finish

### Catalog Logic

1

2

3

4

5

6

7

8

**MDS24**

**UNV**

### 1 LIGHT SOURCE & WATTAGES

<b>M009LD</b>	(9w, 850 lumen, Cree module)
<b>M010LD</b>	(10w, 1250 lumen, Cree module)
<b>M016LD</b>	(16w, 2000 lumen, Cree module)
<b>M024LD</b>	(24w, 3000 lumen, Cree module)

### 2 COLOR TEMPERATURE (CCT)

<b>27K</b>	(2700K)
<b>30K</b>	(3000K)
<b>35K</b>	(3500K)
<b>40K</b>	(4000K)

### 3 VOLTAGE

<b>UNV</b>	(120 - 277)
------------	-------------

### 4 MOUNTING

#### Cable Mounts

**SSC-BLC-5W** (Stainless steel cable with 6-foot black cord and canopy)

**SSC-WHC-5W** (Stainless steel cable with 6-foot white cord and canopy)

#### Cord Mounts

**BLC-5W** (6' black cord with 3/4" x 5 3/8" canopy)

**WHC-5W** (6' white cord with 3/4" x 5 3/8" canopy)

#### Stem Mounts

1/4" (1/2" OD Stems with 45° Swivel Flat Canopy)

**1ST6 1ST12 1ST18 1ST24 1ST36 1ST48**

**1ST60 1ST72 1ST96**

1/4" (1/2" OD Rigid Stems with Flat Canopy)

**1STR6 1STR12 1STR18 1STR24 1STR36**

**1STR48 1STR60 1STR72 1STR96**

### 5 ACCESSORIES

**\*EMG-LED5** (5w LED Emergency Driver, remote placement)

**\*EMG-LED7** (7w LED Emergency Driver, remote placement)

**\*EMG-LED10** (10w LED Emergency Driver, remote placement)

\*For Emergency lumen output data, see Resources section at [www.ANPlighting.com](http://www.ANPlighting.com)

### 6 7 8 FINISHES

Note: Trim is the shade top cap and lens ring

Standard Grade		Standard Grade	
<b>40</b>	Raw Unfinished	<b>53</b>	Copper Clay
<b>41</b>	Black	<b>56</b>	Silver
<b>42</b>	Forest Green	<b>61</b>	Black Verde
<b>43</b>	Bright Red	<b>70</b>	Painted Chrome
<b>44</b>	White	<b>71</b>	Painted Copper
<b>45</b>	Bright Blue	<b>72</b>	Textured Black
<b>46</b>	Sunny Yellow	<b>73</b>	Matte Black
<b>47</b>	Aqua Green	<b>76</b>	Textured Architectural Bronze
<b>49</b>	Galvanized	<b>77</b>	Textured White
<b>50</b>	Navy	<b>78</b>	Textured Silver
<b>51</b>	Architectural Bronze	<b>10</b>	Aspen Green
<b>52</b>	Patina Verde	<b>11</b>	Cantaloupe
<b>12</b>	Lilac	<b>13</b>	Putty
Premium Grade		Premium Grade	
<b>81</b>	Extreme Chrome	<b>64</b>	Candy Apple Red
<b>80</b>	Textured Desert Stone	<b>65</b>	Cobalt Blue
<b>67</b>	Butterscotch	<b>82</b>	Graystone
<b>66</b>	Caramel	<b>69</b>	Gunmetal Gray
<b>68</b>	Black Silver	<b>83</b>	Oil Rubbed Bronze

Consult factory for additional paint charges and availability

Project: \_\_\_\_\_

Fixture Type: \_\_\_\_\_ Quantity: \_\_\_\_\_

Customer: \_\_\_\_\_



**Illuminating**  
ENGINEERING SOCIETY

### MODULE SPECIFICATION:

- Efficacy 97-125 lumens per watt
- Dimmable down to 1%
- Life: L70 50,000 hours
- Color temp: 2700K,3000K,3500K and 4000K
- CRI: >90

### MODULE DRIVER SPECIFICATION:

- Input Voltage: 120-277 Volts; 50/60Hz
- 0-10V, TRIAC and ELV dimming protocols are standard. (24w is 0-10v only)
- Output Current: Constant Current; 440mA to 940mA (model dependent)
- Driver Efficiency > 80%; Power Factor > 0.9
- Integral Surge Protection in conformance to ANSI C62.41 Category A

### MODULE LISTINGS

- Fully compliant with the RoHS Directive
- Certifications: CE/UL

### WARRANTY

See [www.anplighting.com](http://www.anplighting.com) for complete fixture warranty.

LED warranty information

- 5 year limited warranty\*

\*Limited Warranty: A typical year is defined as 4380 hours of operation.

## LED MODULE SPECIFICATIONS

LED Wattage	CCT	Typical Luminous Flux	System Wattage	Typical Efficacy
9W	2700K	850	11W	97
	3000K	850	11W	97
	3500K	850	11W	97
	4000K	850	11W	97
10W	2700K	1250	12W	125
	3000K	1250	12W	125
	3500K	1250	12W	125
	4000K	1250	12W	125
16W	2700K	2000	19W	125
	3000K	2000	19W	125
	3500K	2000	19W	125
	4000K	2000	19W	125
24W	2700K	3000	28W	125
	3000K	3000	28W	125
	3500K	3000	28W	125
	4000K	3000	28W	125