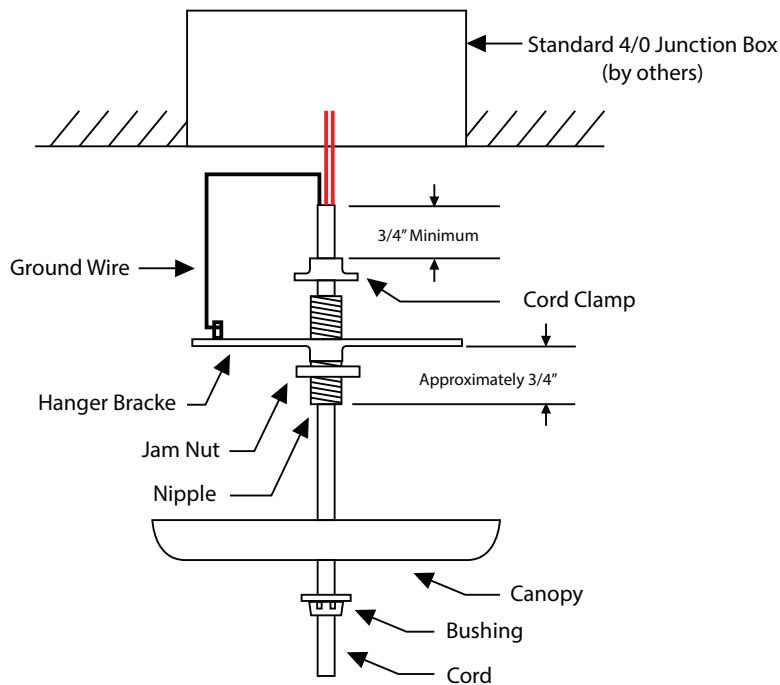


IMPORTANT Safety, Warning and Suggestions

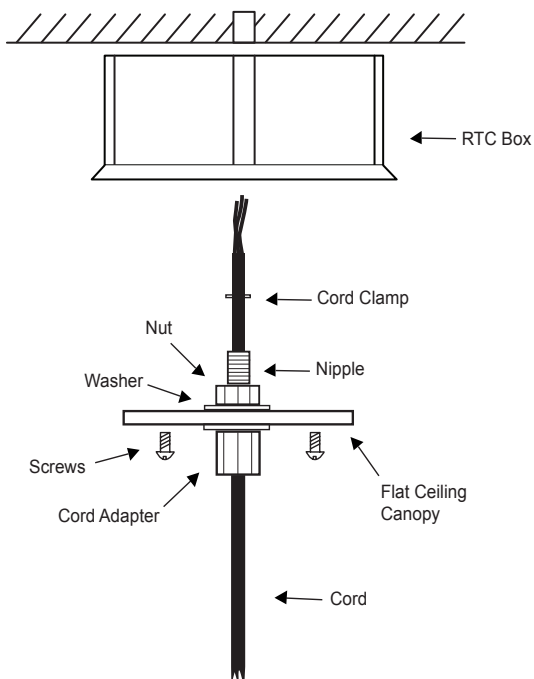
1. Qualified electrician is required to install this product/s.
2. Please read instructions carefully before installation.
3. All wiring and installations should meet local, state and national electrical codes.
4. Install correct lamp type and wattage.

Cord Mount



1. Prior to installation, disconnect power at main electrical box.
2. Thread nipple (D)/jam nut (E) into strap as shown, allowing approximately 3/4" below strap. Tighten jam nut.
3. Pull cord (A) through bushing (B), canopy (C), nipple (D)/jam nut (E)/hanger bracket (F) as shown.
4. Pull cord thru hanger bracket to adjust height, position cord clamp (G) with flange down, near nipple and use pliers to tightly crimp the cord clamp.
5. Hold bracket to canopy to check fixture height.
6. Cut wires to provide 6" pigtail with junction box. Jacket can be cut back to 3/4" from clamp.
7. Make power and ground wiring connections.
8. Slip canopy over nipple and secure with bushing. Adjust nipple as needed so canopy is flush to ceiling.

Cord Mount with RTC



1. Prior to installation, disconnect power at main electrical box.
2. Attach RTC Box to Ceiling.
3. Attach Cord Adapter (A) to Flat Ceiling Canopy using Nipple (C), Washer (D), and Nut (E).
4. Feed Cord (F) through Cord Adapter (A) and Nipple (C). Use Cord Clamp (G) to crimp around cord jacket.
5. Make wiring connections according to national and local codes.
6. Attach Flat Ceiling Canopy to RTC box with screws (I) provided.