



CADET® PRO™ COMPACT RIGHT HEIGHT® ELONGATED TOILET 14" ROUGH-IN VITREOUS CHINA

BARRIER FREE

CADET® PRO™ COMPACT RIGHT HEIGHT® ELONGATED TOILET 14" ROUGH-IN

- 215FC.004**
 - Features the **Cadet® Flushing System**
 - Vitreous china
 - Space saving elongated bowl fits in space of a round front
 - Low consumption (6.0 Lpf/1.6 gpf)
 - Trade exclusive tank
 - PowerWash® rim scrubs bowl with each flush
 - Metal trip lever
 - Robust metal trip lever & metal shank fill valve
 - Includes EZ-Install Tools w/color match bowl caps
 - EverClean® surface included
 - 3" flush valve
 - Fully-glazed 2-1/8" trapway
 - 16-1/2" rim height for accessible applications
 - 14" (356mm) rough-in
 - Generous 9" x 8" water surface area
 - Chrome finish trip lever is supplied
 - 1,000g MaP Score** at 1.6 gpf
 - 5 year warranty



- 3517F.101** Compact Right Height® Elongated Bowl
- 4188A.004** Tank

Nominal Dimensions:

767 x 441 x 771mm (30-1/8" x 17-3/8" x 30-3/8")

Fixture only, seat and supply sold separately

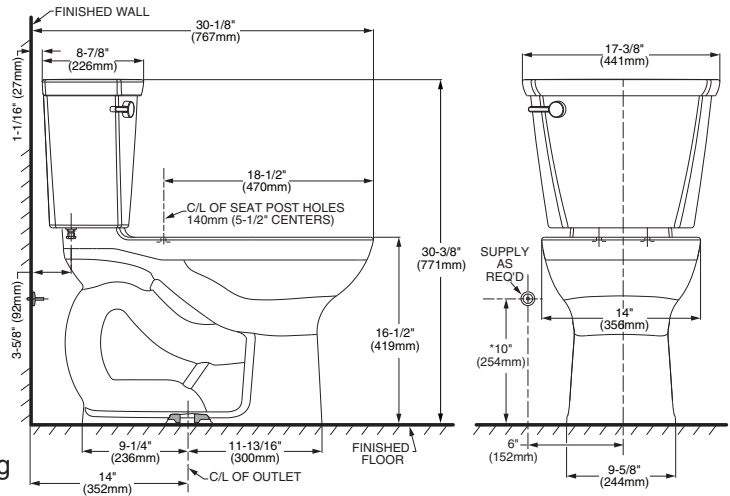
Alternative Tank Configurations Available:

- 4188A.054** Tank complete with Aquaguard Liner
- 4188A.064** Tank complete with tank cover locking device
- 4188A.074** Tank complete with Aquaguard Liner and tank cover locking device
- 4188A.005** Tank complete with trip lever located on right side
- 4188A.065** Tank complete with tank cover locking device and trip lever located on right side

Compliance Certifications -

Meets or Exceeds the Following Specifications:

- ASME A112.19.2-2008/CSA B45.1-08 for Vitreous China Fixtures



NOTES:

THIS TOILET IS DESIGNED TO ROUGH-IN AT A MINIMUM DIMENSION OF 356MM (14") FROM FINISHED WALL TO C/L OF OUTLET.

SUPPLY NOT INCLUDED WITH FIXTURE AND MUST BE ORDERED SEPARATELY.

* DIMENSION SHOWN FOR LOCATION OF SUPPLY IS SUGGESTED.

IMPORTANT: Dimensions of fixtures are nominal and may vary within the range of tolerances established by ANSI Standard A112.19.2. These measurements are subject to change or cancellation. No responsibility is assumed for use of superseded or voided pages.

** Maximum Performance (MaP) testing performed by IAPMO R&T Lab. MaP Report conducted by Veritec Consulting, Inc. and Koeller and Company.

To Be Specified:

- Color: White Bone Linen
- Seat: #5321.110 EverClean® Elongated Seat with Slow Close Snap-Off Hinges
- Supply with stop:



MEETS THE AMERICANS WITH DISABILITIES ACT GUIDELINES AND ANSI A117.1 REQUIREMENTS FOR ACCESSIBLE AND USABLE BUILDING FACILITIES-CHECK LOCAL CODES.

