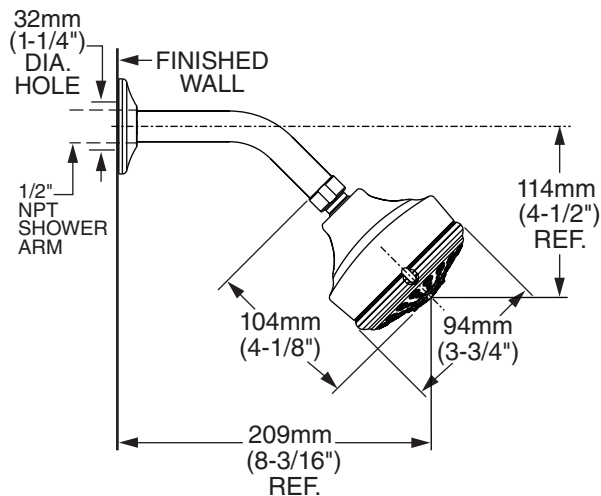


1660.635 Shown

MODEL NUMBER:

- 1660.635 Modern 5-Function Showerhead Only
- 1660.636 Modern 5-Function Showerhead with Shower Arm & Flange



GENERAL DESCRIPTION:

5-Function showerhead. Spray pattern adjusts from full spray to full/massage combination (1) to pulsating massage to massage/mist combination (2) to power mist. Includes pressure compensating flow control device. Brass ball joint. Easy clean spray nozzles. 2.5gpm/9.5L/min. maximum flow rate.

PRODUCT FEATURES:

Variety of Spray Patterns: Allows the user to select the type of spray best suited to their needs.

Pressure Compensating Flow Control Device: Provides consistent flow over a wide pressure range.

Simple Spray Pattern Adjustment: Spray patterns can be changed with the flick of a finger.

Easy Clean Spray Nozzles: Easily clean lime and calcium buildup. Nozzles will not clog.

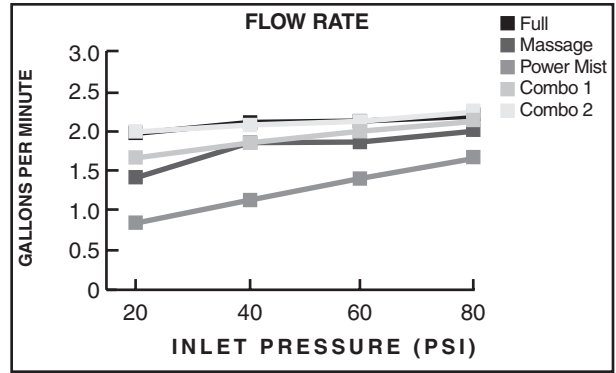
SUGGESTED SPECIFICATION

Showerhead shall have at least 5 spray patterns and brass ball joint. Showerhead shall have a pressure compensating control device. Fitting shall be American Standard Model # 1660.63_._.

CODES AND STANDARDS

These products meet or exceed the following codes and standards:

**ASME A112.18.1
CSA 125.1**



Product Number	Description	Finish Options	
		Polished Chrome	PVD Satin Nickel
		002	295
1660.635	Modern 5-Function Showerhead Only		
1660.636	Modern 5-Function Showerhead with Shower Arm & Flange		