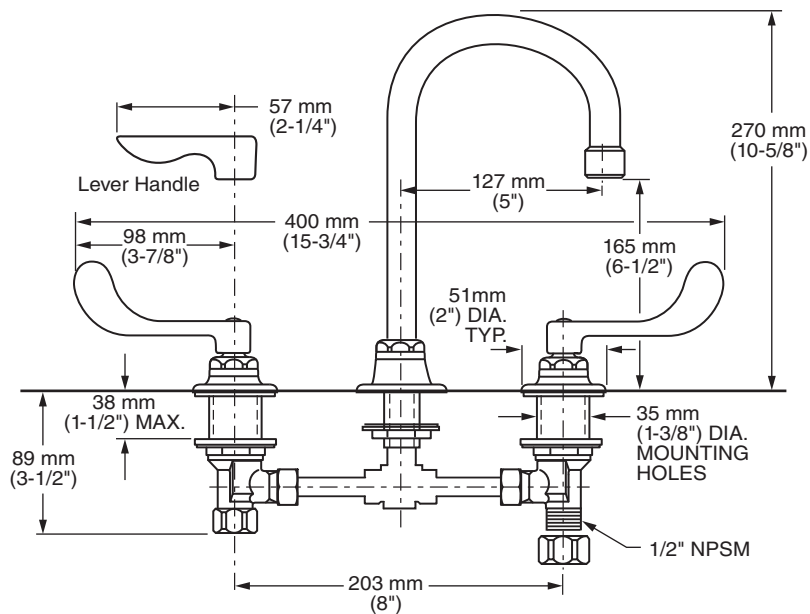




6540.175 Shown

MODEL NUMBER:

- ❑ **6540.175 Widespread Lavatory**
0.5 gpm Pressure Compensating Vandal-Resistant Spray. Convertible rigid/swivel gooseneck spout. Vandal-Resistant Wrist Blade Handles. LESS drain and pop-up hole.
- ❑ **6540.145 Widespread Lavatory**
0.5 gpm Pressure Compensating Vandal-Resistant Spray. Convertible rigid/swivel gooseneck spout. Vandal-Resistant Lever Handles. LESS drain and pop-up hole.



GENERAL DESCRIPTION:

Durable cast brass construction. Cast brass valve bodies with 8" rigid copper connection with compression fittings. 1/2" male threaded inlet shanks with brass coupling nuts. 1/4 turn ceramic disc valve cartridges. Convertible rigid/swivel spout. Choice of Vandal-Resistant Lever or Wrist Blade handles with blue & red color indexes. 0.5 gpm/1.9 L/min. maximum flow rate.

PRODUCT FEATURES:

- Pressure Compensating Multi-Laminar Spray:** Provides a constant water flow of 0.5 gpm throughout the pressure range.
- Solid Brass Construction:** Durable - Excellent in high use applications. Ideal for prolonged contact with water.
- Ceramic Disc Valve Cartridge:** Assures a lifetime of drip-free performance.
- Field-Convertible Rigid/Swivel Spout:** Easily converted in the field.
- Lead Free:** Faucet contains ≤ 0.25% total lead content by weighted average.

SUGGESTED SPECIFICATION

Two-handle widespread lavatory faucet shall feature cast brass valve bodies with 8" rigid copper connection. Shall feature water-conserving vandal-resistant 0.5 gpm/1.9 L/min. pressure compensating spray. Vandal-Resistant handles. Shall also feature 1/4 turn washerless ceramic disc valve cartridges. Shall also feature convertible rigid/swivel spout. Fitting shall be American Standard Model # 6540.1_5.002.

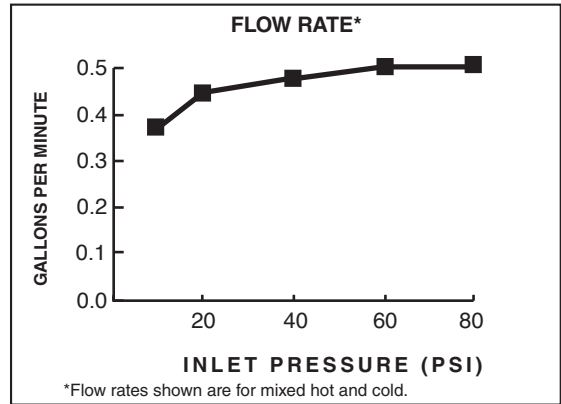


MONTERREY® 0.5 GPM
TWO-HANDLE 8" WIDESPREAD LAVATORY FAUCET
RIGID/SWIVEL GOOSENECK SPOUT WITH 5" REACH


CODES AND STANDARDS

These products meet or exceed the following codes and standards:

- ANSI 117.1**
- ASME A112.18.1**
- CSA B125.1**
- NSF 372**



Product Number	Description	Finish
		Polished Chrome
		002
6540.175	Widespread Lavatory with convertible rigid/swivel gooseneck spout. 0.5 gpm/1.9 L/min pressure compensating vandal-resistant multi-laminar spray. Vandal-Resistant Wrist Blade Handles. LESS drain and pop-up hole.	
6540.145	Widespread Lavatory with convertible rigid/swivel gooseneck spout. 0.5 gpm/1.9 L/min pressure compensating vandal-resistant multi-laminar spray. Vandal-Resistant Lever Handles. LESS drain and pop-up hole.	

 Meets the American Disabilities Act Guidelines and **ANSI A117.1** Requirements for accessible and usable building facilities - check local codes