

**GENERAL DESCRIPTION:**

Manual Piston-Type Water Closet Flush Valve for floor-mounted 1-1/2" back spud bowls.

**INCLUDES:**

- 1" I.P.S. angle stop with back-flow prevention and vandal-resistant cap
- Sweat solder kit including cover tube and wall flange
- High back pressure vacuum breaker with down tube
- Spud coupling & flange for 1-1/2" back spud

**PRODUCT FEATURES:**

- Self-cleaning brass piston with integral wiper spring prevents clogging and reduces maintenance
- Piston operation delivers superior flush accuracy and repeatability
- Piston valve remains closed and does not need to be reset after loss of water pressure
- Non-hold open handle
- Positive seal ensures leak-free performance
- No external volume adjustment
- Durable chrome-plated cast brass construction is ideal for commercial applications
- Chloramine-resistant EPDM seals
- Adjustable tailpiece for rough-in flexibility
- Can be installed left or right handed
- ADA complaint

**MODEL NUMBER:**

- ☐ **6047.661.002** Exposed Flush Valve for floor-mounted back spud bowls, 1.6 gpf

**OPERATING PRESSURE:**

Overall Range: 20-125 psi\*\*  
Recommended: 25 psi (flowing)-80 psi (static)

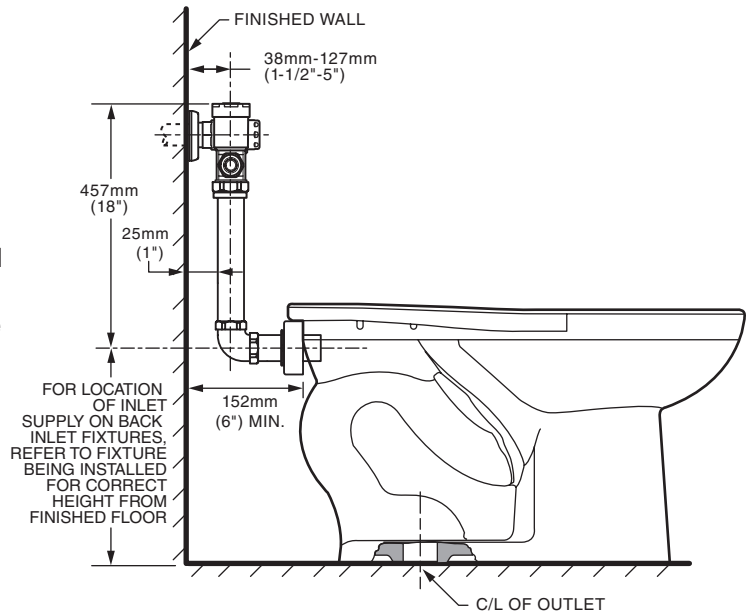
\*\* Water pressure over 80 psi is not recommended for most plumbing fixtures.

**FLOW REQUIREMENT:**

25gpm (94.6 L/min.)

**ACCESSORIES:**

- Cast wall flanges (1" & 1-1/2")
- Solid ring pipe supports (2-1/2" & 6" C-E)
- Split ring pipe supports (2-1/2" & 6" C-E)

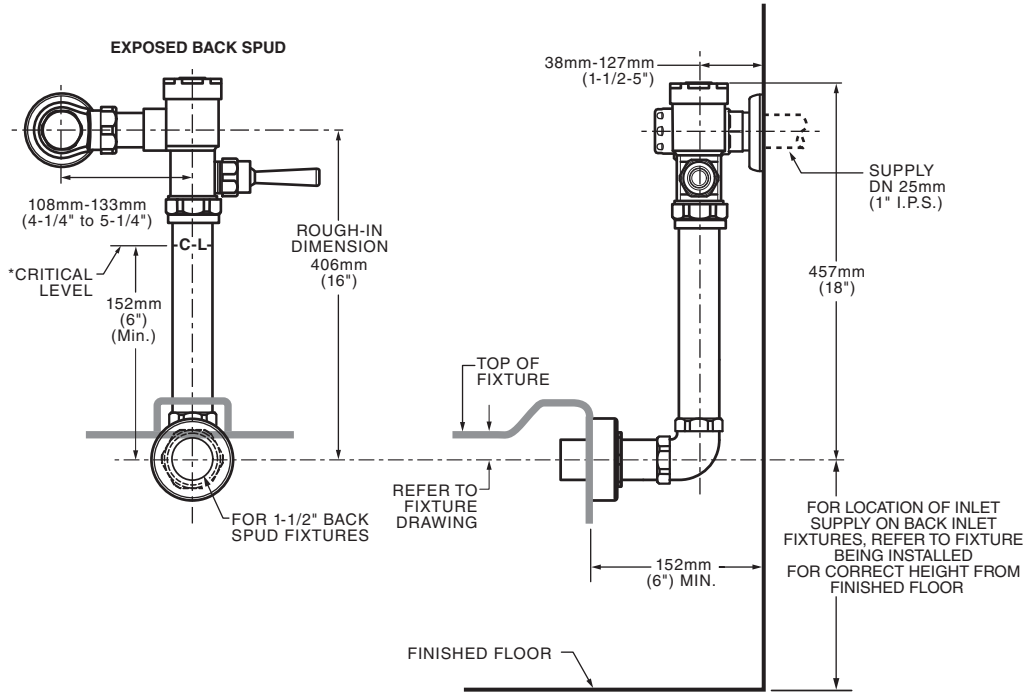


**RECOMMENDED SPECIFICATION:**

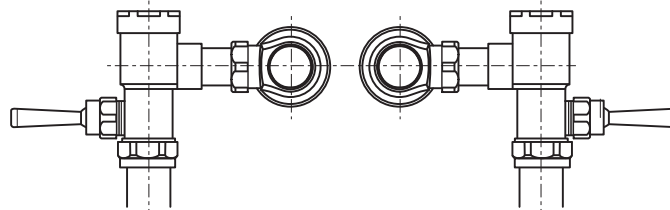
Manual toilet flush valve shall feature self-cleaning brass piston valve with integral wiper spring in bypass orifice to prevent clogging. Valve remains closed and does not need to be reset after loss of water pressure. Includes cast brass valve body and cover with chrome finish and vandal resistant stop cap. Includes sweat solder kit with wall flange and cover tube. Angle stop with back-flow protection and vacuum breaker included. 1.6 gpf / 6.0 Lpf Flush valve shall be American Standard Model # 6065.661.002.

**LISTINGS:**

- ASSE 1037
- ANSI/ASME A112.19.2
- ADA Compliant



\*Note: The Critical Line (-C-L) on Vacuum Breaker must typically be a minimum of 6" (152mm) above fixture. Consult Codes for details.



**Valve Left or Right Hand Installation**