

LUXURY 18 GAUGE STAINLESS STEEL KITCHEN SINK 26"

Undermount 10mm radius coved corners

- 791565-201070A Stainless steel bottom grid included
- 791565-203070A Stainless steel bottom grid included
- 18-10 Chrome Nickel content
- Large bowl/small bowl combination sink
- Template and instructions included
- **Waste fittings included**
- **27" cabinet required**



Nominal Dimensions:

26" x 18" x 9"

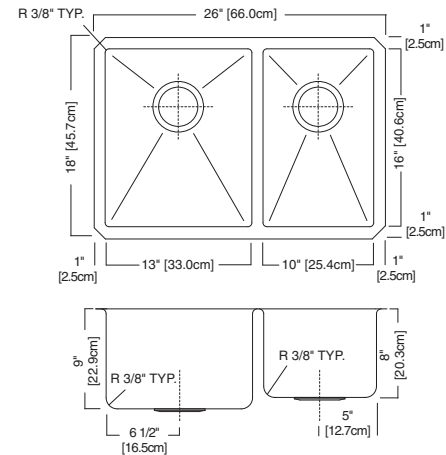
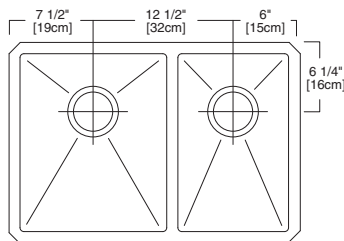
Large Bowl Size:

13" wide
16" front to back
9" deep

Small Bowl Size:

10" wide
16" front to back
5" deep


Wastehole Location:



Compliance Certifications:

IMPORTANT: Dimensions of fixtures are nominal and may vary within the range of tolerances established by ASME A112.19.3. These measurements are subject to change or cancellation. No responsibility is assumed for use of superseded or voided leaflet.

To Be Specified:

- 8443.101500.075  Stainless steel mesh colander