

BABY DEVORO™ FloWise® 10" HIGH ROUND FRONT

2282.001

- Floor mount flushometer valve toilet
- Vitreous china
- High Efficiency, Low Consumption. Operates in the range of 1.28 gpf to 1.6 gpf (4.9 Lpf to 6.0 Lpf)
- Meets definition of HET (High Efficiency Toilet) when used with a 1.28 gpf high efficiency flush valve
- 10-1/4" rim height
- 10" roughing-in
- Round front bowl
- Siphon jet action
- Fully glazed trapway
- 1-1/2" inlet spud
- 2 color-matched bolt caps
- 100% factory flush tested

Component parts:

- 047007-0070A** Inlet spud (furnished with bowl)
- 481310-100** Bolt caps with retainers (furnished with bowl)

Nominal Dimensions:

595 x 347 x 260mm
 (23-1/2" x 13-1/8" x 10-1/4")

Recommended working pressure – between 25 psi at valve when flushing and 80 psi static

Fixture only, less seat, bolt caps, and flush valve

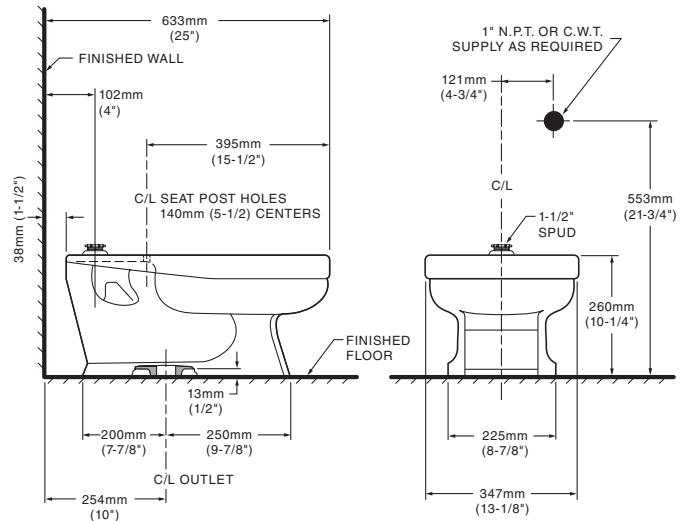
Compliance Certifications -

Meets or Exceeds the Following Specifications:
 • ASME A112.19.2-2008 / CSA B45.1-08 for Vitreous China Fixtures

System MaP* Score:

- 800 grams of miso @ 1.28 gpf

* Maximum Performance (MaP) testing performed by IAPMO R&T Lab. MaP Report conducted by Veritec Consulting, Inc. and Koeller and Company.



To Be Specified:

- Color: White
- Seat: Olsonite #126-CC open front seat less cover
- Seat: Church #1580C open front seat less cover
- Alternate Seat:
 - American Standard 5385.010 seat and cover
- Flush Valve
 - 1.6 gpf:
 - Sensor-Operated: American Standard Selectronic® DC Power #6065.161.002 (Top Spud)
 - Manual: American Standard #6047.161.002 (Top Spud)
 - 1.28 gpf:
 - Sensor-Operated: American Standard Selectronic® DC Power #6065.121.002 (Top Spud)
 - Manual: American Standard #6047.121.002 (Top Spud)

NOTES:

TO COMPLY WITH AREA CODE GOVERNING THE HEIGHT OF VACUUM BREAKER ON FLUSH VALVE, THE PLUMBER MUST VERIFY DIMENSIONS SHOWN FOR SUPPLY ROUGHING. FLUSH VALVE NOT INCLUDED AND MUST BE ORDERED SEPARATELY. THIS TOILET IS DESIGNED TO ROUGH-IN AT A MINIMUM DIMENSION OF 254MM (10") FROM FINISHED WALL TO C/L OF OUTLET.

IMPORTANT: Dimensions of fixtures are nominal and may vary within the range of tolerances established by ANSI Standard A112.19.2. These measurements are subject to change or cancellation. No responsibility is assumed for use of superseded or voided pages.

