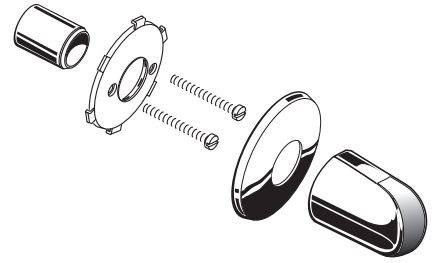


*American Standard*

# Installation Instructions

## CERATHERM ON/OFF VALVE TRIM

T203700



*Thank you for selecting American-Standard...the benchmark of fine quality for over 100 years.*

*To ensure that your installation proceeds smoothly—please read these instructions carefully before you begin.*

Certified to comply with ANSI A112.18.1M  
ASSE 1016

M968590

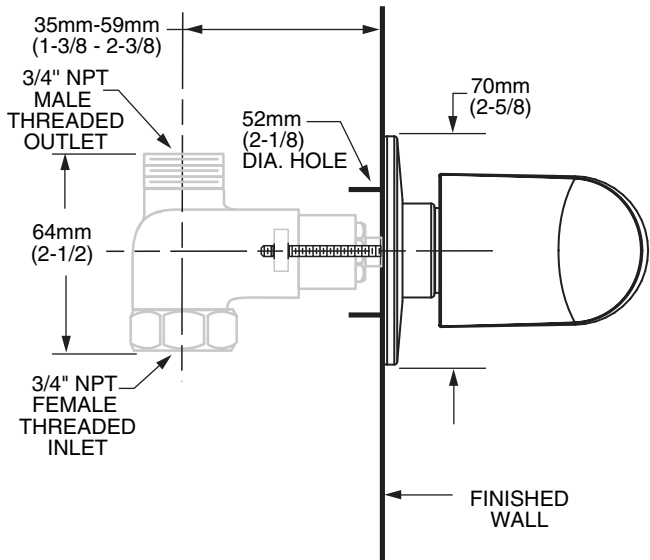
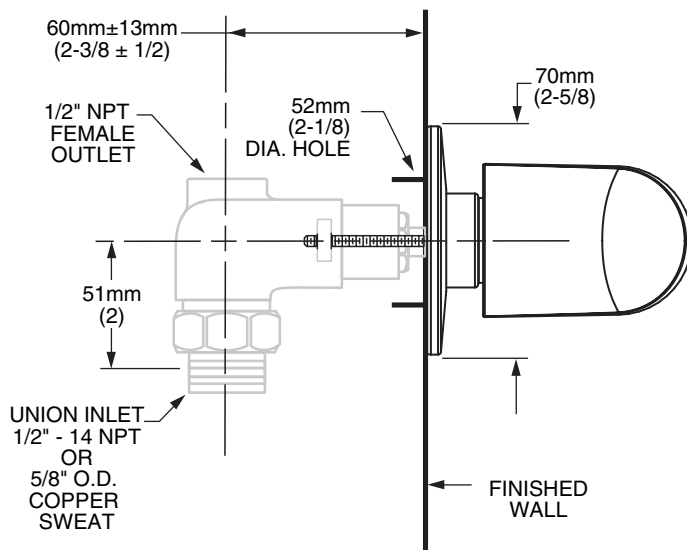
### ROUGHING-IN DIMENSIONS

#### Model 7001.000

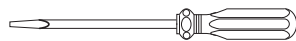
1/2" NPT

#### Model 7011.000

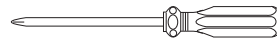
3/4" NPT



### Recommended Tools



Flat Blade Screwdriver



Phillips Screwdriver

### CARE INSTRUCTIONS:

- To keep your new faucet looking new, please follow these simple care instructions:

**DO:** ■ Simply rinse the faucet clean with clear water.  
■ Dry the faucet with a soft cotton cloth.

**DO NOT:**

- Do not use any abrasive cleaners, cloths, or paper towels.
- Do not use any cleaning agents containing acids, polish abrasives, or harsh cleaners or soaps.

- Regular and routine cleaning will reduce the need for heavy cleaning and polishing. If heavy cleaning is required, the following procedures are recommended:

- Remove as much surface dirt and film using clear water and soft cotton cloth (as described above).

■ Use any of the following to remove tough surface film and build-up:

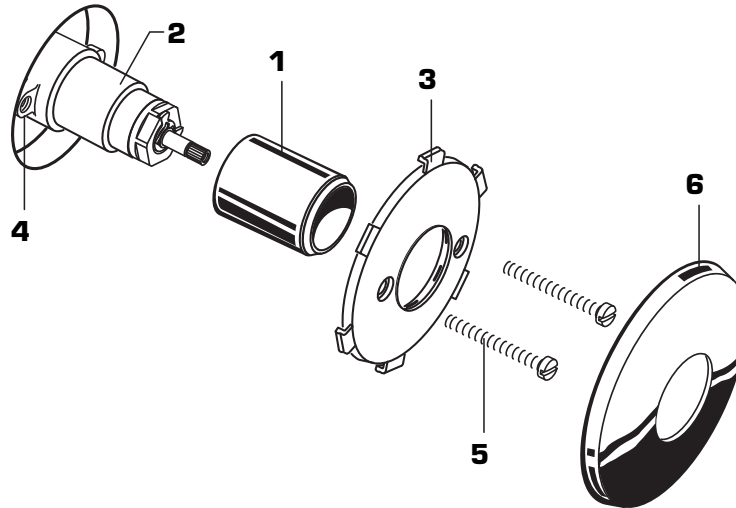
- Mild liquid detergents
- Clear ammonia free liquid glass cleaners
- Non-acidic, non-abrasive gentle liquid or fully dissolved powder cleansers mixed according to manufacturers directions.
- Non-abrasive liquid polishers

- Once clean, rinse faucet again with clear water to thoroughly remove cleaner or polish and blot dry with a soft cotton cloth.

**Failure to follow these care instructions may damage the Faucet's finish.**

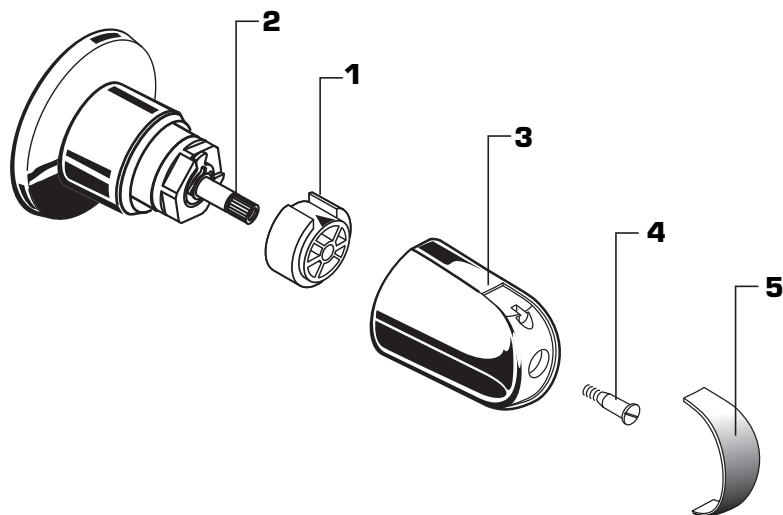
# 1 TRIM INSTALLATION

- Push VALVE COVER (1) over VALVE CARTRIDGE (2) until it is seated against the stop.
- Place ESCUTCHEON HOLDER (3) over VALVE COVER (1). Line up holes in ESCUTCHEON HOLDER (3) with THREADED TABS (4) on VALVE.
- Install MOUNTING SCREWS (5) through ESCUTCHEON HOLDER (3) and into THREADED TABS (4). Tighten SCREWS securely.
- Place ESCUTCHEON (6) over ESCUTCHEON HOLDER (3) and push evenly for a snap fit.



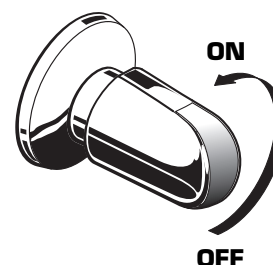
# 2 HANDLE INSTALLATION

- Install KNOB MOUNT (1) onto VALVE STEM (2).
- Align HANDLE (3) and push onto KNOB MOUNT (1).
- Thread HANDLE SCREW (4) into VALVE STEM (2) and tighten.
- Push END CAP (5) into HANDLE (3).



# 3 OPERATING THE VALVE

- Turn HANDLE into OFF position.
- Turn on water supplies, and check all connections for leaks.
- Operate HANDLE to flush water lines thoroughly.
- Turn handle OFF.

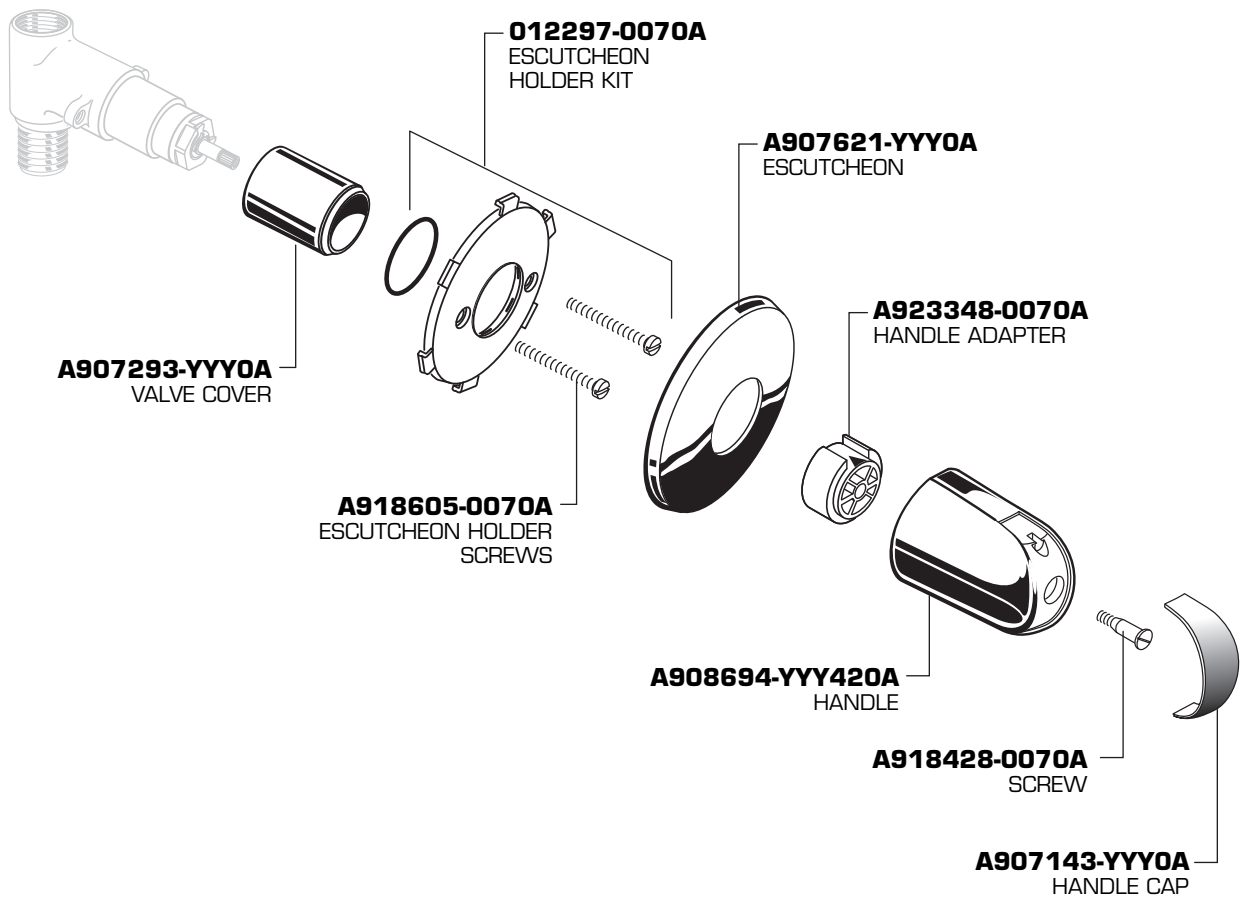


*American Standard*

# CERATHERM ON/OFF VALVE TRIM

MODEL NUMBER

**T203700**



Replace the "YYY" with  
appropriate finish code

CHROME	002
POLISHED BRASS	099
BLACKENED BRONZE	068
SATIN NICKEL	295



HOT LINE FOR HELP  
For toll-free information and answers to your questions, call:  
1 (800) 442-1902  
Weekdays 8:00 a.m. to 6:00 p.m. EST  
IN CANADA 1-800-387-0369 (TORONTO 1-905-306-1093)  
Weekdays 8:00 a.m. to 7:00 p.m. EST  
IN MEXICO 01-800-839-1200

Product names listed herein are trademarks of American Standard Inc.  
© AS America, Inc. 2007

M968590