

American Standard

Installation Instructions Instrucciones de Instalación Instructions d'installation

COLONY SOFT DECK MOUNT TRIM KIT
JUEGO DECORATIVO PARA CUBIERTA COLONY
TROUSSE DE GARNITURE POUR MONTAGE SUR
PLAGE D'ÉVIER COLONY

T975.400/400BP
T975.500/500BP

Thank you for selecting American Standard...the benchmark of fine quality for over 100 years. To ensure that your installation proceeds smoothly please read these instructions carefully before you begin.

Gracias por preferir American Standard... El punto de referencia de la más fina calidad por más de 100 años. Para asegurar que su instalación se efectúe de la mejor forma favor de leer estas instrucciones cuidadosamente antes de empezar.

Nous vous remercions d'avoir choisi American Standard... synonyme de qualité supérieure depuis plus de 100 ans. Pour s'assurer d'une installation sans inconvénients, veuillez lire attentivement ces instructions avant de commencer.



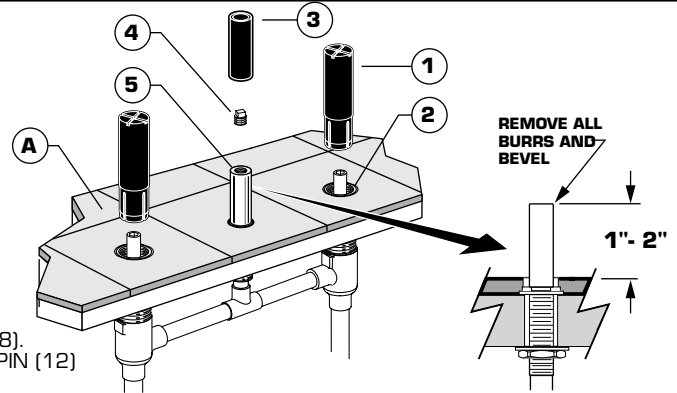
Certified to comply with ANSI A112.18.1
U.S. Patent No. D403,750

M968757D

1 SPOUT INSTALLATION

CAUTION Turn off hot and cold water supplies before beginning.

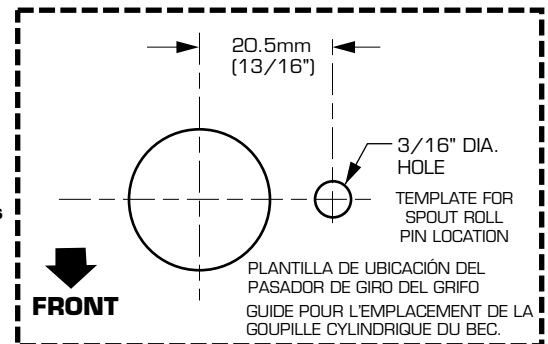
- Complete FINISHED DECK (A) before trim installation.
- Turn off the water supplies.
- Remove the GUARDS (1) from the VALVE BODIES (2). Remove the SPOUT GUARD (3) and 1/4" PLUG (4) from the SPOUT SHANK (5).
- The SPOUT SHANK (6) height should be 1" to 2" above the FINISHED DECK (A). Cut the SPOUT SHANK (5) if necessary. **Remove all burrs and bevel the end of the shank. Failure to do so may damage the SPOUT O-ring during installation and cause water leakage.**
- Drill a 3/16" HOLE (C) in the finished deck. See TEMPLATE for location.
- Lubricate the SPOUT O-RING (6).
- Remove the PLUG BUTTON (7) from the SPOUT (8).
- Position the RUBBER RING (9) in the GROOVE (B) in the base of the SPOUT (8).
- Push the SPOUT (8) down onto the SPOUT SHANK (5) and align the SPOUT PIN (12) with the 3/16" DRILLED HOLE (C) in the FINISHED DECK (A).
- Tighten the SET SCREW (10) securely with the 5mm HEX KEY (11).
- Insert the PLUG BUTTON (7) into the SPOUT (8).



ARMADO DE LA LLAVE

ADVERTENCIA: Cierre la tubería de la alimentación del agua caliente y fría antes de comenzar la instalación

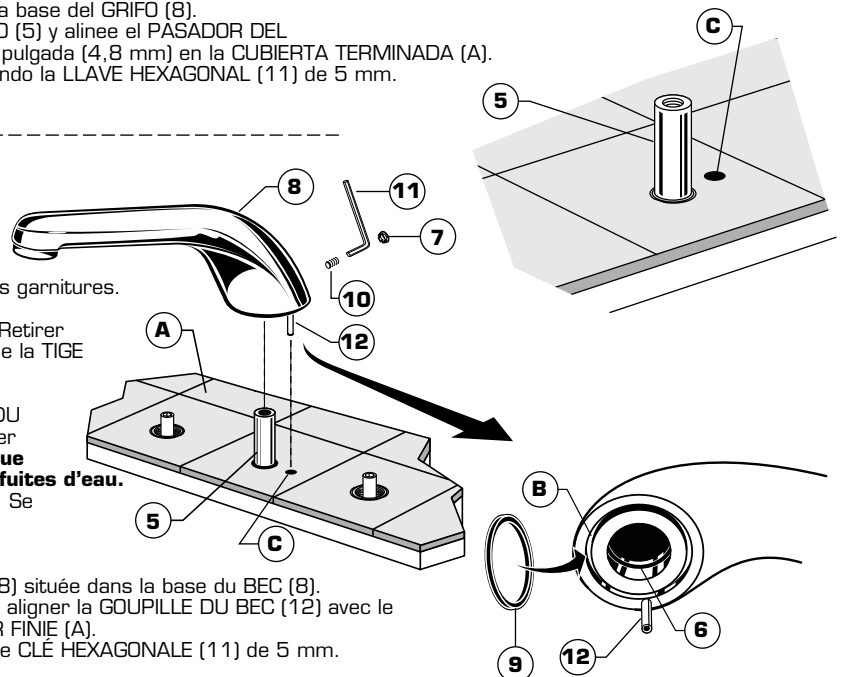
- Complete la CUBIERTA TERMINADA (A) antes de instalar el juego decorativo.
- Cierre el suministro de agua.
- Quite los PROTECTORES (1) del CUERPO DE LAS VÁLVULAS (2). Quite el PROTECTOR DEL GRIFO (3) y el TAPÓN (4) de 1/4 de pulgada (6,4 mm) del POSTE DEL GRIFO (5).
- La altura del POSTE DEL GRIFO (5) debe ser de 1 a 2 pulgadas (25 a 51 mm) sobre la CUBIERTA TERMINADA (A). Corte el POSTE DEL GRIFO (5) si es necesario. **Quite todas las rebabas y bisele el extremo del poste. Si no lo hace, puede dañar la junta tórica del GRIFO durante la instalación y ocasionar fugas.**
- Taladre un AGUJERO (C) de 3/16 de pulgada (4,8 mm) en la cubierta terminada. Consulte la PLANTILLA para conocer la ubicación.
- Lubrique las JUNTAS TÓRICAS DEL GRIFO (6).
- Quite el BOTÓN OBTURADOR (7) del GRIFO (8).
- Coloque el ANILLO DE CAUCHO (9) en la RANURA (B) de la base del GRIFO (8).
- Empuje el GRIFO (8) hacia abajo sobre el POSTE DEL GRIFO (5) y alinee el PASADOR DEL GRIFO (12) con el AGUJERO PERFORADO (C) de 3/16 de pulgada (4,8 mm) en la CUBIERTA TERMINADA (A).
- Apriete firmemente el TORNILLO DE SUJECIÓN (10) utilizando la LLAVE HEXAGONAL (11) de 5 mm.
- Inserte el BOTÓN OBTURADOR (7) en el GRIFO (8).



INSTALLER LE ROBINET

ATTENTION Fermer l'alimentation d'eau chaude et froide avant de commencer.

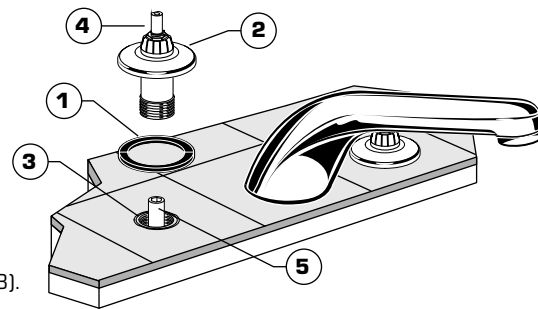
- Terminer la PLAGE DE L'ÉVIER FINIE (A) avant d'installer les garnitures.
- Couper l'alimentation d'eau.
- Retirer les PROTECTEURS (1) des CORPS DE VANNE (2). Retirer le PROTECTEUR DU BEC (3) et le TAMPON (4) de 6 mm de la TIGE DU BEC (5).
- La TIGE DU BEC (6) devrait dépasser la PLAGE DE L'ÉVIER FINIE (A) d'une hauteur de 2,5 à 5,0 cm. Couper la TIGE DU BEC (5) si nécessaire. Retirer toutes les barbes et niveler l'extrémité de la tige. **Si non, le joint torique du BEC risque d'être endommagé durant l'installation et causer des fuites d'eau.**
- Percer un TROU (C) de 5 mm dans la plage de l'évier finie. Se reporter au GUIDE pour connaître l'emplacement.
- Lubrifier le JOINT TORIQUE DU BEC (6) et
- Retirer la CAPSULE DU TAMPON (7) du BEC (8).
- Placer la BAGUE DE CAOUTCHOUC (9) dans la RAINURE (B) située dans la base du BEC (8).
- Pousser le BEC (8) vers le bas dans la TIGE DU BEC (5) et aligner la GOUPILLE DU BEC (12) avec le TROU PERCÉ (C) de 5 mm situé dans la PLAGE DE L'ÉVIER FINIE (A).
- Serrer la VIS DE REGLAGE (10) fermement au moyen d'une CLÉ HEXAGONALE (11) de 5 mm.
- Insérer la CAPSULE DU TAMPON (7) dans le BEC (8).



2

VALVE TRIM

- Fit ESCUTCHEON SEALS (1) into underside of VALVE ESCUTCHEONS (2).
- Thread the VALVE ESCUTCHEONS (2) into the VALVE BODIES (3). Align the HANDLE STEM (4) with the SLEEVE (5) as necessary. Thread the VALVE ESCUTCHEON (2) into the BODIES (3) until the ESCUTCHEON (2) contacts the finished deck.



JUEGO DE ESCUDETE

- Coloque los SELLOS DE LOS CHAPETONES (1) en la parte inferior de los CHAPETONES DE LAS VÁLVULAS (2).
- Enrosque los CHAPETONES DE LAS VÁLVULAS (2) en los CUERPOS DE LAS VÁLVULAS (3). Alinee el TALLO DE LA LLAVE (4) con el MANGUITO (5) si es necesario. Enrosque el CHAPETÓN DE LA VÁLVULA (2) en el CUERPO (3) hasta que el CHAPETÓN (2) haga contacto con la cubierta terminada.

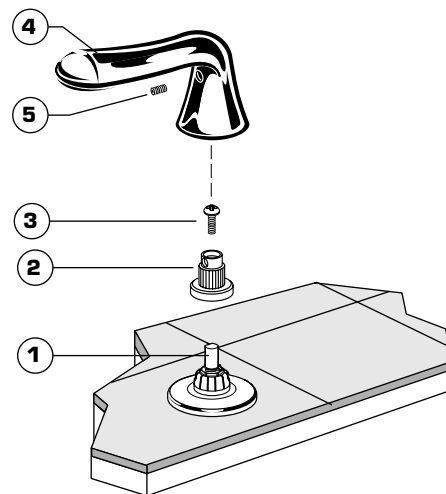
KIT D'ÉCUSSON

- Insérer les JOINTS DE ROSACE (1) dans la face inférieure des JOINTS DE VANNE (2).
- Enfiler les JOINTS DE VANNE (2) dans les CORPS DE VANNE (3). Aligner la TIGE DE LA POIGNÉE (4) avec le MANCHON (5), au besoin. Enfiler le JOINT DE VANNE (2) dans les CORPS (3) jusqu'à ce que le JOINT (2) entre en contact avec la plage de l'évier finie.

3

INSTALL LEVER HANDLE TRIM

- Turn HANDLE STEM (1) to "OFF" position.
- Place the HANDLE ADAPTER (2) on the HANDLE STEM (1). Install the ADAPTER SCREW (3) and tighten securely.
- Position LEVER HANDLE (4) and place on ADAPTER (2). Install the HANDLE SCREW (5) and tighten securely.



INSTALACIÓN DE LA MANIJA

- Gire el TALLO DE LA LLAVE (1) a la posición de cierre.
- Coloque el ADAPTADOR DE LA LLAVE (2) en el TALLO DE LA LLAVE (1). Instale el TORNILLO DEL ADAPTADOR (3) y apriételo firmemente.
- Ajuste la posición de la LLAVE DE PALANCA (4) y colóquela sobre el ADAPTADOR (2). Coloque el TORNILLO DE LA LLAVE (5) y apriételo firmemente.

INSTALLATION DE LA POIGNÉE

- Placer la TIGE DE LA POIGNÉE (1) en position « FERMÉE ».
- Placer l'ADAPTATEUR DE POIGNÉE (2) sur la TIGE DE LA POIGNÉE (1). Installer la VIS D'ADAPTATION (3) et serrer fermement.
- Mettre la MANETTE À VOLANT (4) en position et la placer sur l'ADAPTATEUR (2). Installer la VIS POUR MANETTE (5) et serrer fermement.

4

INSTALL ACRYLIC HANDLE TRIM

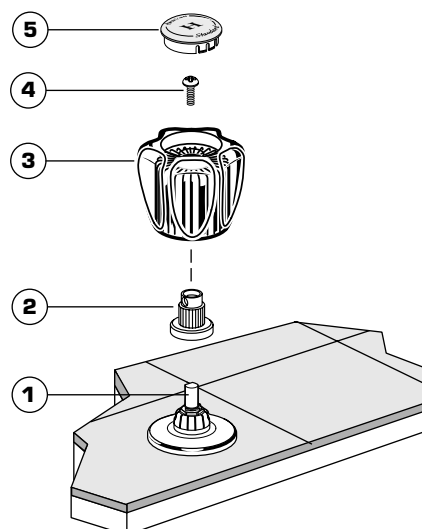
- Turn HANDLE STEM (1) to "OFF" position.
- Place the HANDLE ADAPTER (2) on the HANDLE STEM (1).
- Position ACRYLIC HANDLE (3) and install on ADAPTER (2). Install the HANDLE SCREW (4) and tighten securely.
- Push in INDEX BUTTON (5). (Hot-left side , Cold-Right side)

INSTALE LAS MANIJAS ACRÍLICAS

- Gire el TALLO DE LA LLAVE (1) a la posición de cierre
- Coloque el ADAPTADOR DE PIE DE LA MANIJA (2) en el PIE DE LA MANIJA (1).
- Ubique la MANIJA ACRÍLICA (3) en el ADAPTADOR DE PIE DE LA MANIJA (2). Instale el TORNILLO DE MANIJA (4) y ajuste bien.
- Presione sobre BOTÓN ÍNDICE (5).

INSTALLER LES POIGNÉES EN ACRYLIQUE

- Placer la TIGE DE LA POIGNÉE (1) en position « FERMÉE ».
- Placer l'ADAPTATEUR DE POIGNÉE (2) sur la TIGE DE LA POIGNÉE (1).
- Placer la POIGNÉE EN ACRYLIQUE (3) sur la l'ADAPTATEUR DE POIGNÉE (2). Installer les VIS POUR LES POIGNÉES (4) et bien serrer.
- Insérer le BOUTON INDICATEUR (5).



5 TEST INSTALLED FAUCET

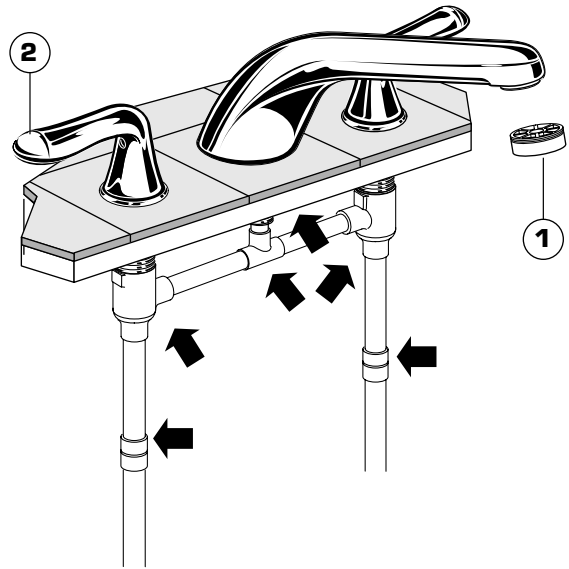
- Remove STREAM STRAIGHTENER (1). With handles in OFF position, turn on water supplies and check all connections for leaks. ➡
- Operate both handles to flush water lines thoroughly. Replace STREAM STRAIGHTENER (1).

PRUEBA DE LA LLAVE INSTALADA

- Quite el REGULADOR DEL CHORRO DE AGUA (1). Cierre las llaves, abra el suministro de agua y revise las conexiones para asegurar que no tengan fugas.
- Girar ambos manerales para dejar fluir el agua de las tuberías. Accionar la varilla del drenaje y cheque contra fugas. Reinstalar el REGULADOR DEL CHORRO DE AGUA (1).

TESTER L'INSTALLATION DU ROBINET

- Retirer le DISPOSITIF DE REDRESSEMENT DU JET (1). Tout en gardant les poignées en position FERMÉE, mettre l'alimentation d'eau en marche et vérifier tous les raccords pour s'assurer qu'il n'y ait pas de fuites.
- Ouvrir les deux POIGNÉES, rincer les conduits d'eau abondamment. Opérer la TIGE DE LEVAGE et vérifier si le VIDAGE fuit. Replacer le DISPOSITIF DE REDRESSEMENT DU JET (1).



6 If faucet drips proceed as follows:

- Stream straightener may accumulate dirt causing distorted and reduced water flow. Remove aerator and rinse clean.
- If spout drips, operate handles several times from OFF to ON position. Do not force handles turn only 90°.

CARE INSTRUCTIONS:

DO: SIMPLY RINSE THE PRODUCT CLEAN WITH CLEAR WATER. DRY WITH A SOFT COTTON FLANNEL CLOTH.

DO NOT: DO NOT CLEAN THE PRODUCT WITH SOAPS, ACID, POLISH, ABRASIVES, HARSH CLEANERS, OR A CLOTH WITH A COARSE SURFACE.

Si la llave gotea proceda como sigue:

- El aireador tal vez acumule suciedad, causando un flujo no uniforme del agua. Remover el aireador, enjuagar y limpiar.
- Si la salida gotea gire los manerales varias veces desde la posición de cerrado a la posición de abierto. No force los manerales, solamente gírelos a 90 grados.

INSTRUCCIONES DE CUIDADO DEL PRODUCTO:

LIMPIE EL PRODUCTO CON AGUA LIMPIA Y SÉQUELO CON UNA TELA SUAVE DE FRANELA DE ALGODÓN.

NO LIMPIE EL PRODUCTO CON JABÓN, ÁCIDOS, PULIDORES, ABRASIVOS, LIMPIADORES FUERTES O TELAS ÁSPERAS.

Si le robinet coule, suivre les instructions suivantes:

- La saleté peut s'accumuler dans l'aérateur et causer un débit d'eau plus faible ou inégal. Enlever l'aérateur et rincer.
- Si le bec coule, ouvrir et fermer les poignées plusieurs fois de suite. Ne pas forcer. Tourner seulement à 90°.

INSTRUCTIONS POUR L'ENTRETIEN

FAIRE : SIMPLEMENT RINCER LE PRODUIT AVEC DE L'EAU CLAIRE JUSQU'À CE QU'IL SOIT PROPRE. SÉCHER AVEC UN LINGE DE FLANELLE DE COTON DOUX.

NE PAS FAIRE : NE PAS NETTOYER LE PRODUIT AVEC DES SAVONS, DE L'ACIDE, DU POLISH, DES ABRASIFS, DES NETTOYANTS AGRESSIFS OU UN LINGE À TEXTURE RUGUEUSE.

HOTLINE FOR HELP NUMERO DE EMERGENCIA ASSISTANCE TÉLÉPHONIQUE



For toll-free information and answers to your questions, call:
Para información y respuestas a sus preguntas, llame sin costo al:
Pour information et réponses à vos questions, composer sans frais:

1 800 442-1902

Weekdays Dias laborales de las Sur semaine:
8:00 to 8:00 p.m. EST

CANADA 1-800-387-0369 (TORONTO 1-905-306-1093)

Weekdays Dias laborales de las Sur semaine:
8:00 to 7:00 p.m. EST

Product names listed herein are trademarks of American Standard Inc.

M968757D

American Standard

COLONY SOFT DECK MOUNT TRIM KIT JUEGO DECORATIVO PARA CUBIERTA COLONY TROUSSE DE GARNITURE POUR MONTAGE SUR PLAGE D'ÉVIER COLONY

MODEL NUMBER
 NÚMERO DE MODELO
 NUMÉRO DE MODÈLE

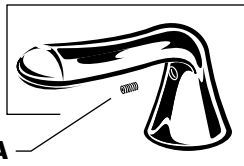
T975.400BP
T975.400
T975.500BP
T975.500

M918504-0070A
 SCREW
 Tornillo
 VIS

M908423-0070A
 ACRYLIC HANDLE
 Maneral Acrilico
 POIGNÉE ACRYLIQUE

M950144-0070A
 INDEX, BUTTON, HOT
 Boton Indicador de
 Agua Caliente
 BOUTON INDEX, CHAUD

M950143-0070A
 INDEX, BUTTON, COLD
 Boton Indicador de
 Agua Fria
 BOUTON INDEX, FROID



M916803-YYY0A
 METAL LEVER HANDLE
 MANIJA METÁLICA
 POIGNÉE MÉTALLIQUE PLEINE

M918075-0070A
 HANDLE SCREW
 TORNILLO DE LA MANIJA
 VIS DE LA POIGNÉE

M918504-0070A
 SCREW
 TORNILLO
 VIS

M918021-0070A
 ADAPTER
 ADAPTAR
 APPROPRIER

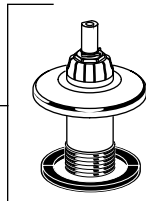
M961461-YYY0A
 BUTTON AND SCREW
 BOTON Y TORNILLO
 BOUTON ET VIS

M961640-YYY0A
 SPOUT
 BOQUILLA
 BEC



028678-0070A
 STREAM STRAIGHTENER
 REGULADOR DE CHORRO DE AGUA
 REDRESSEUR DE JET

M961460-0020A
 VALVE ESCUTCHEON KIT
 JUEGO DE ESCUDETE
 KIT D'ÉCUSSON



Replace the "YYY" with appropriate finish code
 Reemplace las letras "YYY" por el código de acabado
 Remplacer le "YYY" par le code de finition approprié

CHROME, CROMO, CHROME	002
POLISHED BRASS, BRONCE PULIDO, LAITON POLI	099

American Standard

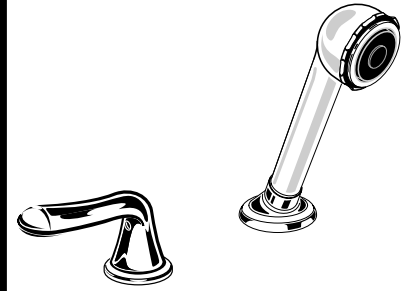
DECK MOUNT TUB FILLERS

COLONY DIVERTER & PERSONAL SHOWER TRIM KIT

Thank you for selecting American-Standard...the benchmark
of fine quality for over 100 years.

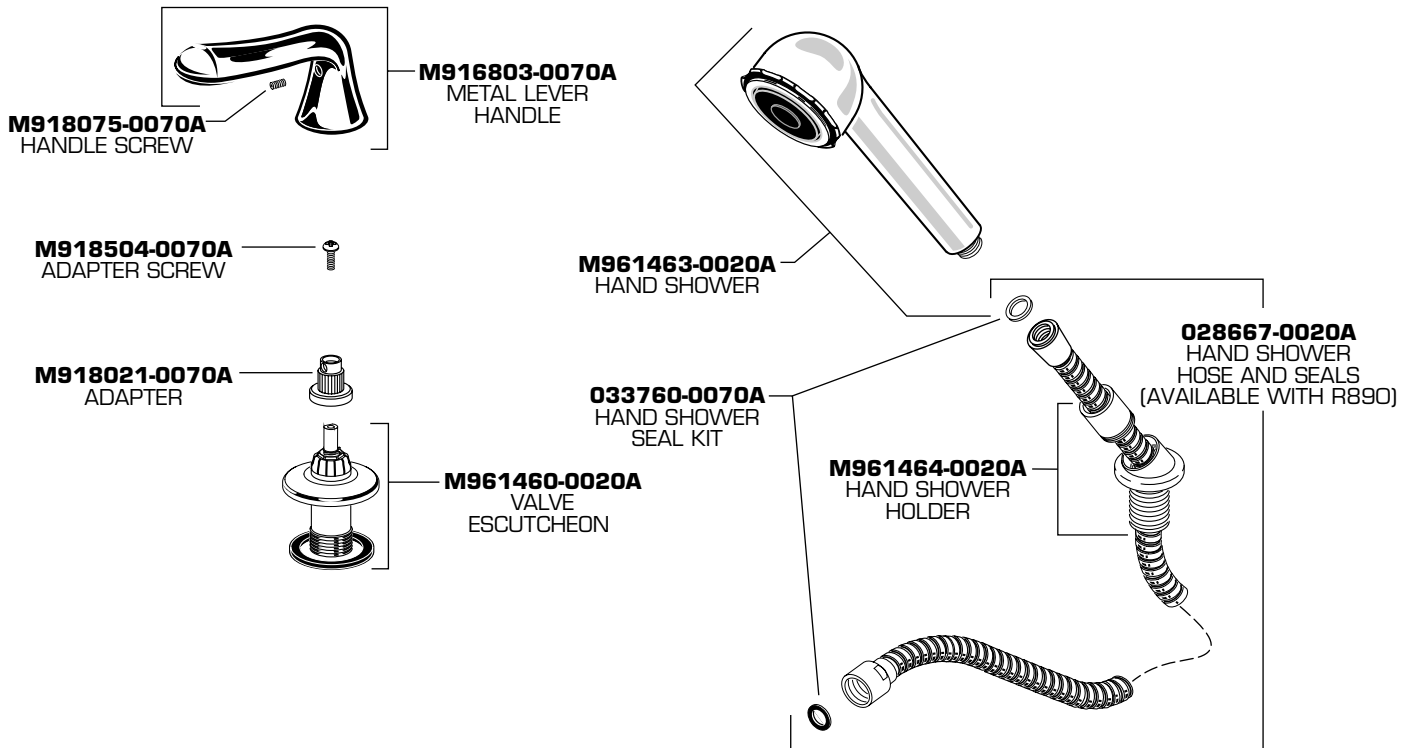
To ensure that your installation proceeds smoothly—please
read these instructions carefully before you begin.

Installation Instructions T990.5XX



Certified to comply with ANSI A112.18.1
U.S. Patent No. D403,750

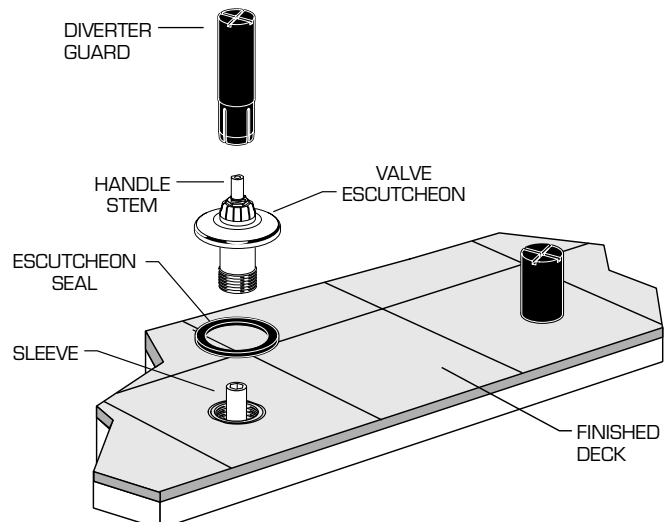
M968762



1

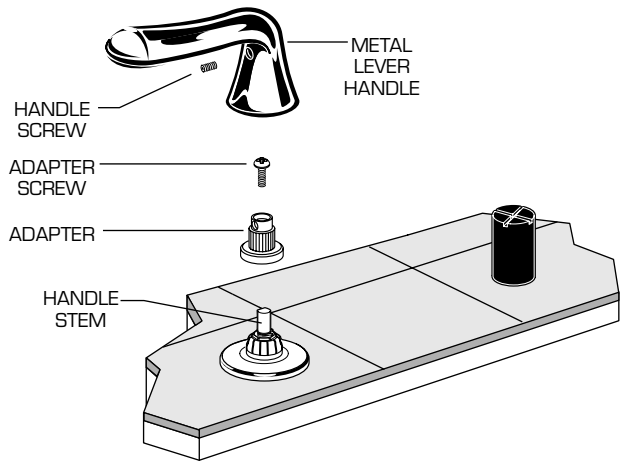
INSTALL DIVERTER VALVE TRIM

- REMOVE THE DIVERTER GUARD.
- Place the ESCUTCHEON SEAL over the DIVERTER BODY.
- Thread the VALVE ESCUTCHEON into the DIVERTER BODY. Align the HANDLE STEM with the SLEEVE as necessary. Thread the VALVE ESCUTCHEON into the BODY until the ESCUTCHEON contacts the finished deck.



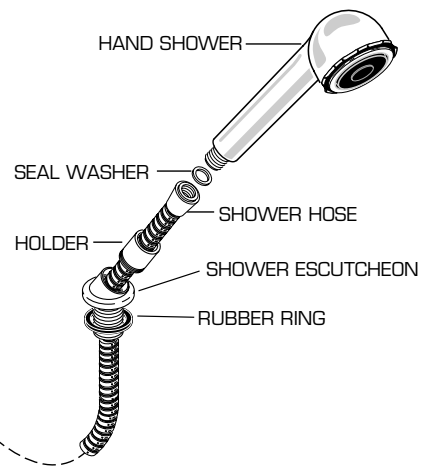
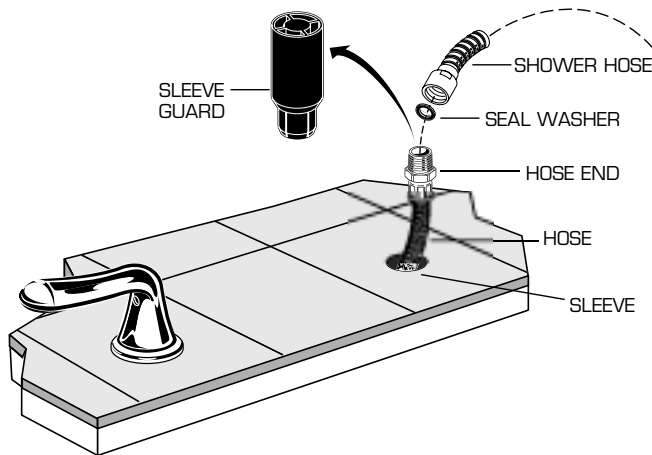
2 INSTALL HANDLE TRIM

- Turn HANDLE STEM fully clockwise (Tub Filler position).
- Place the HANDLE ADAPTER on the HANDLE STEM. Install the ADAPTER SCREW and tighten securely.
- Position LEVER HANDLE and place on ADAPTER. Install the HANDLE SCREW and tighten securely.

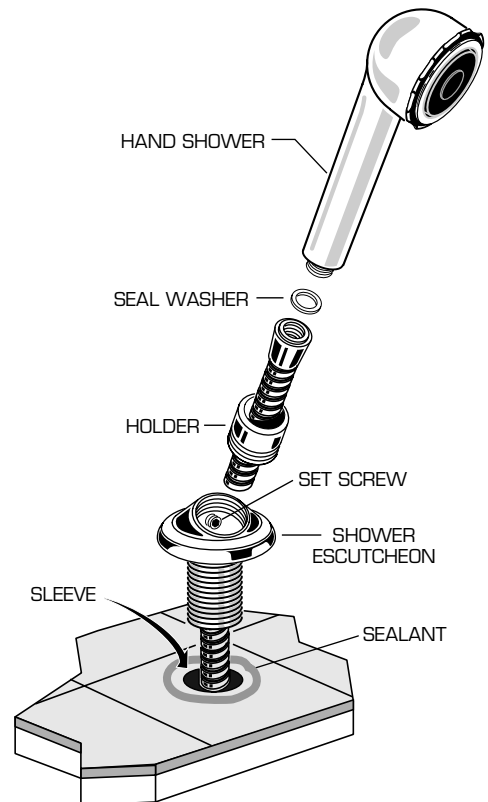


3 INSTALL HAND SHOWER

- Unscrew the HOLDER from the SHOWER ESCUTCHEON. Slip the SHOWER HOSE through the HOLDER and the SHOWER ESCUTCHEON. Insert a SEAL WASHER into the SHOWER HOSE CONNECTOR.
- Pull out the SLEEVE GUARD and HOSE. Unthread the SLEEVE GUARD from the HOSE END connection. **Be careful not to allow the HOSE to fall back through the SLEEVE.**
- Thread the SHOWER HOSE onto the HOSE END connection and tighten securely.



- Apply a sealant around the HOSE HOLE.
- Thread the SHOWER ESCUTCHEON into the SLEEVE until the ESCUTCHEON contacts the finished deck.
- Loosen the SET SCREW in the SHOWER ESCUTCHEON and rotate the ESCUTCHEON towards the center of the tub. Retighten the SET SCREW.
- Thread the HOLDER into the SHOWER ESCUTCHEON.
- Insert a SEAL WASHER into the SHOWER HOSE connector and connect the HAND SHOWER. Place the HAND SHOWER into the HOLDER.



HOTLINE FOR HELP

For toll-free information and answers to your questions, call:

1 (800) 442-1902

Weekdays 8:00 a.m. to 7:00 p.m. Eastern Time

IN CANADA 1-800-387-0369 (TORONTO 1-905-306-1093)

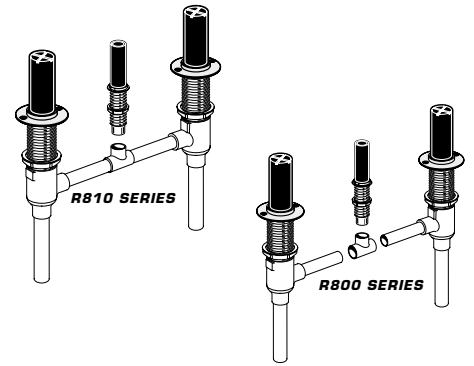
American Standard

DECK MOUNT TUB SYSTEMS ROUGH VALVE KIT

Installation Instructions R800 SERIES R810 SERIES

Thank you for selecting American-Standard...
the benchmark of fine quality for over 100 years.

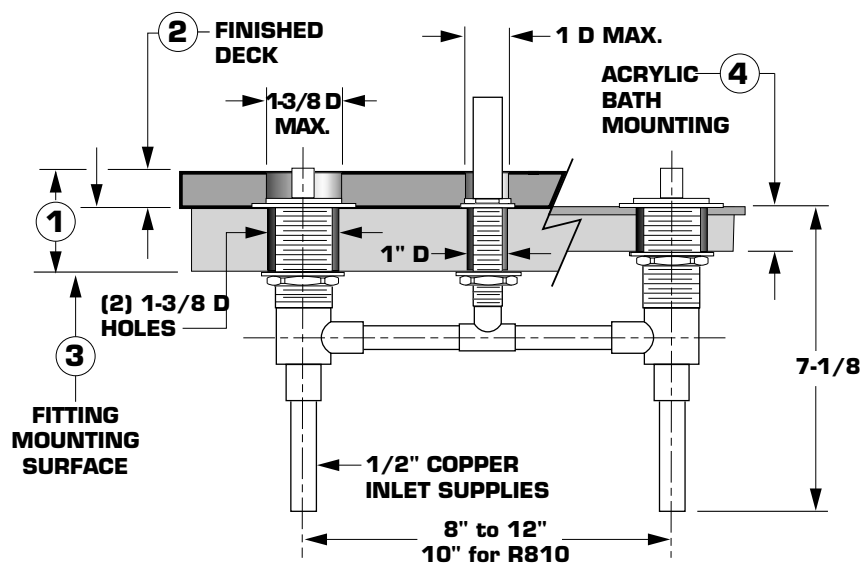
To ensure that your installation proceeds smoothly—please
read these instructions carefully before you begin.



Certified to comply with ANSI A112.18.1
U.S. Patent No. D403,750

M968650C

1 ROUGHING-IN



1. DECK THICKNESS

TOTAL DECK THICKNESS UP TO 2-1/2"

2. FINISHED DECK

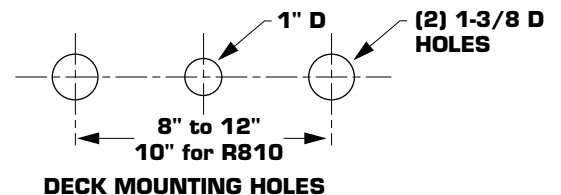
FINISHED DECK VARIABILITY ACCOMMODATES
DECKING MATERIAL (TILE, MARBLE, CORIAN®...) TO 1" THICK

3. FITTING MOUNTING SURFACE

ADJUSTABILITY, TO 1-1/2" THICK

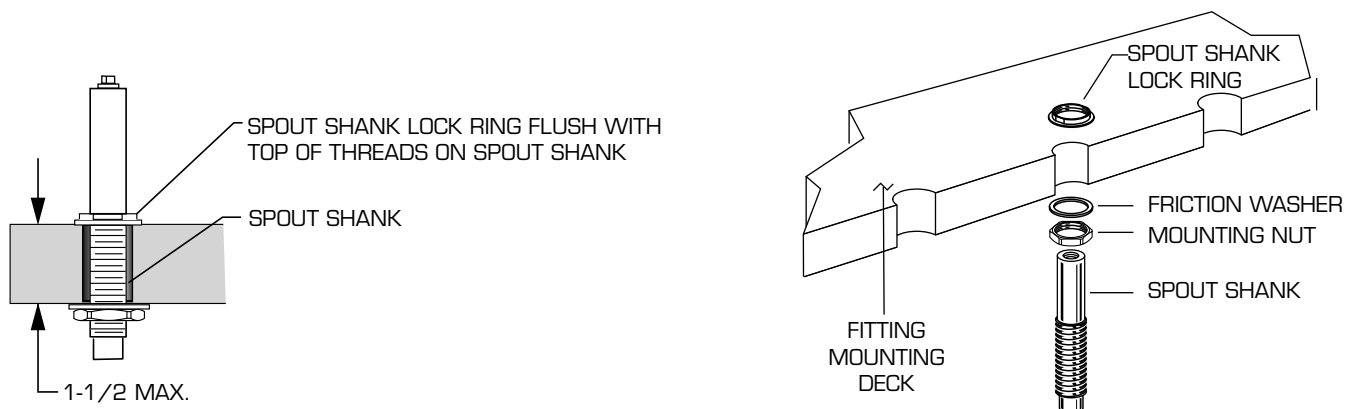
4. ACRYLIC BATHS

ADJUSTABILITY, TO 1-1/2" THICK



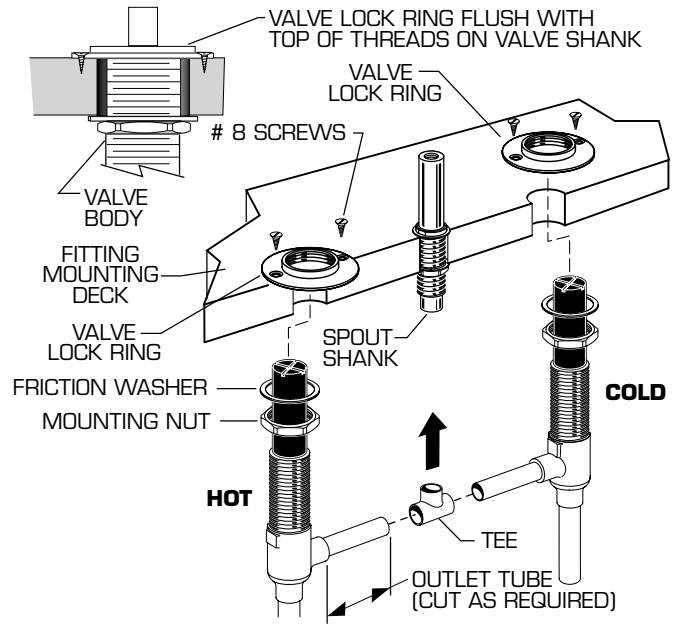
2 MOUNT SPOUT SHANK

- Drill holes in mounting deck as shown. The maximum allowable deck thickness is 1-1/2".
- Insert the SPOUT SHANK through the mounting deck from below. Assemble the SPOUT SHANK LOCK RING so it is flush with the top of the threads on the SHANK.



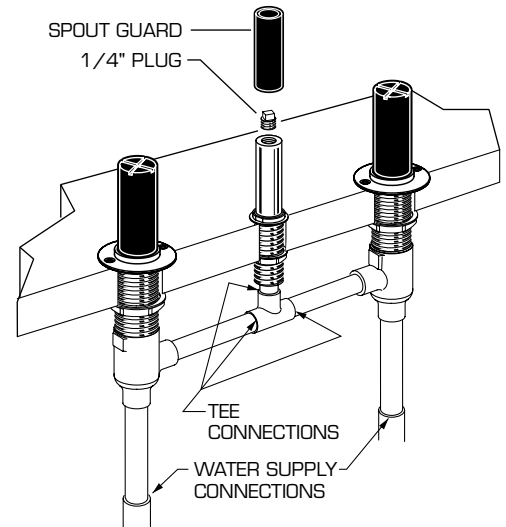
3 MOUNT VALVE BODIES

- Cut the copper outlet tubes of the VALVE BODIES as required. (Not necessary for R810).
- Insert the HOT and COLD VALVE BODIES into the TEE. (Not necessary for R810). The HOT VALVE BODY is marked with a red label.
- Insert the VALVE BODIES and TEE through the mounting deck from below. Assemble the VALVE LOCK RINGS so they are flush with the top of the VALVE BODIES.
- Insert the SPOUT SHANK into the TEE. (Not necessary for R810).
- Tighten the VALVE BODY and SHANK MOUNTING NUTS securely.
- Fasten the VALVE LOCK RING to the wooden mounting surface with #8 screws (not provided).



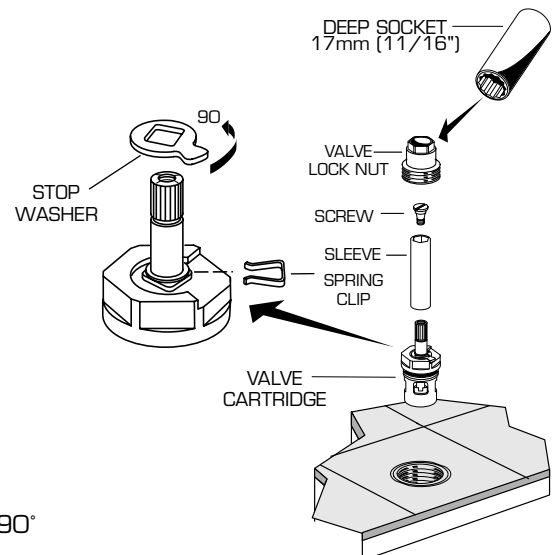
4 SOLDER CONNECTIONS

- Connect the water supply lines to the copper inlet tubes of the VALVE BODY.
- Solder all TEE and WATER SUPPLY CONNECTIONS.
- Remove the GUARD from the SPOUT SHANK. Assemble the 1/4" PLUG to the SPOUT SHANK with a thread sealant.
- Turn on the water supplies and check all connections for leakage.
- Replace the GUARD on the SPOUT SHANK. Turn off the water supplies.



5 SERVICE TO CHANGE THE DIRECTION OF HANDLE ROTATION

- **Turn off the water supplies.**
- Turn HANDLE to the off position.
- Unscrew the VALVE LOCK NUT and remove. A 17mm deep socket is required.
- Remove the CARTRIDGE by pulling upon the SLEEVE.
- Remove the SLEEVE from the CARTRIDGE.
- Remove the SPRING CLIP.
- Remove the STOP WASHER. Turn it 90° and replace.
- Replace the SPRING CLIP.
- Reverse the above steps to reassembly the components.
- If the spout drips, operate the handles several times from the off to the on position. Do not force - the handles only turn 90°

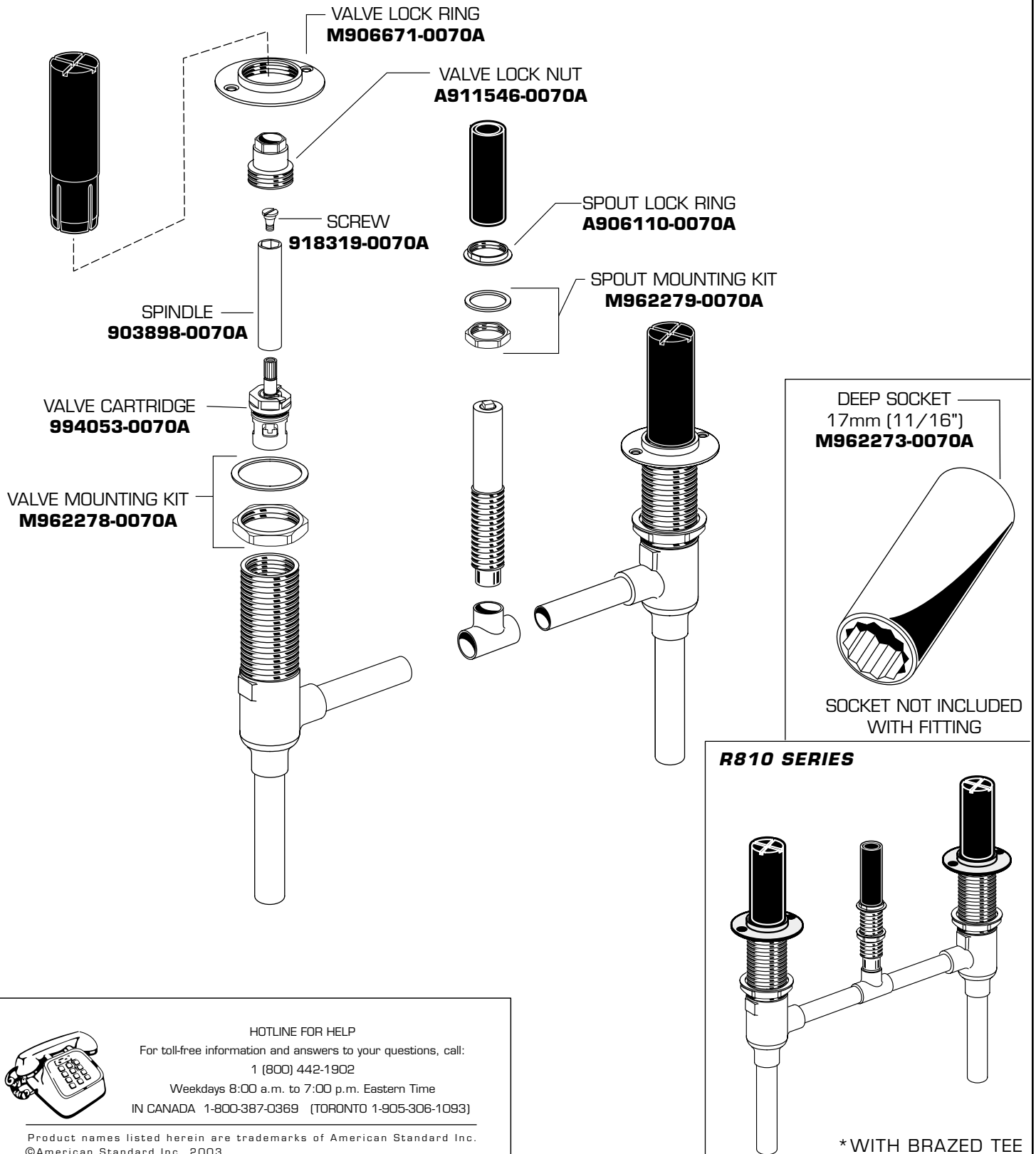


American Standard

DECK MOUNT TUB SYSTEMS

MODEL NUMBERS

R800
R810



HOTLINE FOR HELP

For toll-free information and answers to your questions, call:

1 (800) 442-1902

Weekdays 8:00 a.m. to 7:00 p.m. Eastern Time

IN CANADA 1-800-387-0369 (TORONTO 1-905-306-1093)

Product names listed herein are trademarks of American Standard Inc.
©American Standard Inc. 2003

M968650C

American Standard

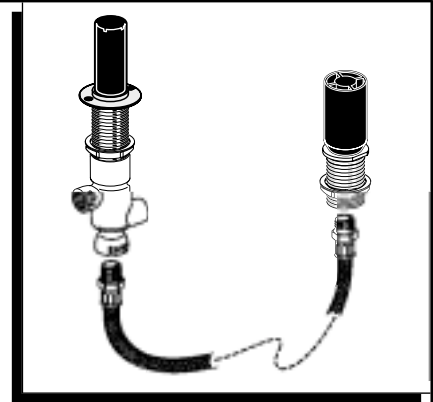
DECK MOUNT TUB FILLERS

Installation Instructions R890 SERIES

DIVERTER & PERSONAL SHOWER ROUGH VALVE KIT

Thank you for selecting American-Standard...the benchmark of fine quality for over 100 years.

To ensure that your installation proceeds smoothly—please read these instructions carefully before you begin.

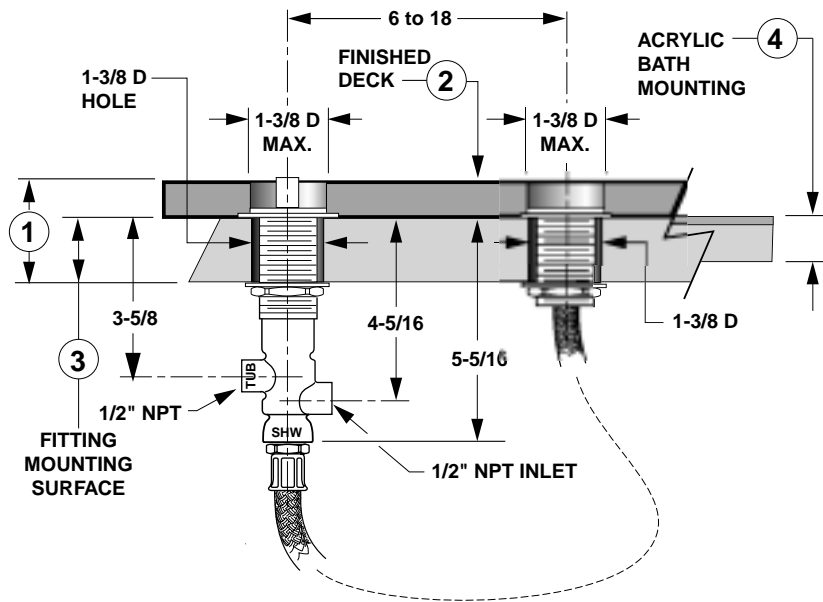


Certified to comply with ANSI A112.18.1

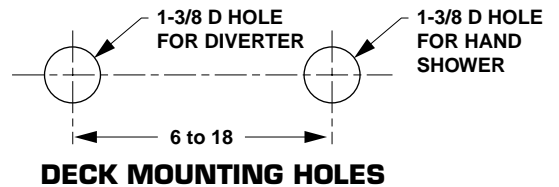
U.S. Patent No. D403,750

M968355D

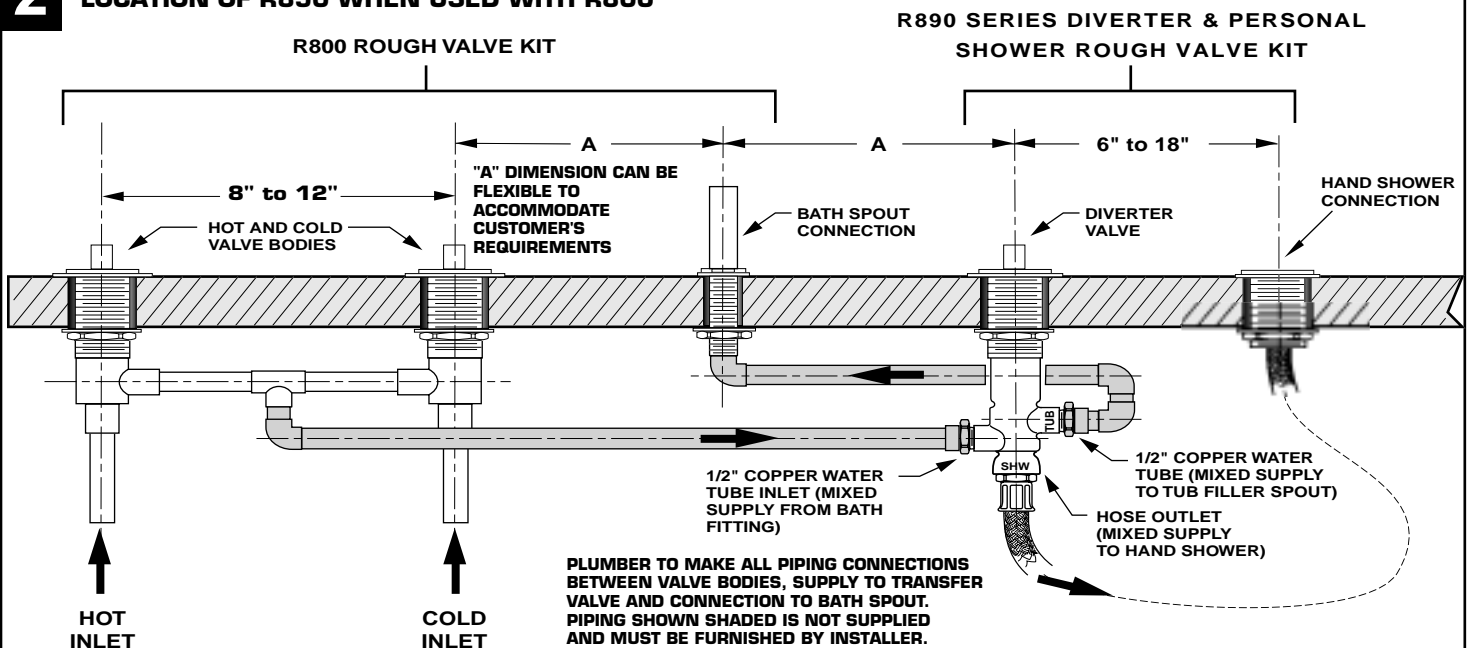
1 ROUGHING-IN



- 1. DECK THICKNESS**
TOTAL DECK THICKNESS UP TO 2-1/2"
- 2. FINISHED DECK**
FINISHED DECK VARIABILITY ACCOMMODATES DECKING MATERIAL (TILE, MARBLE, CORIAN@...) TO 1" THICK
- 3. FITTING MOUNTING SURFACE**
ADJUSTABILITY, TO 1-1/2" THICK
- 4. ACRYLIC BATHS**
ADJUSTABILITY, TO 1-1/2" THICK



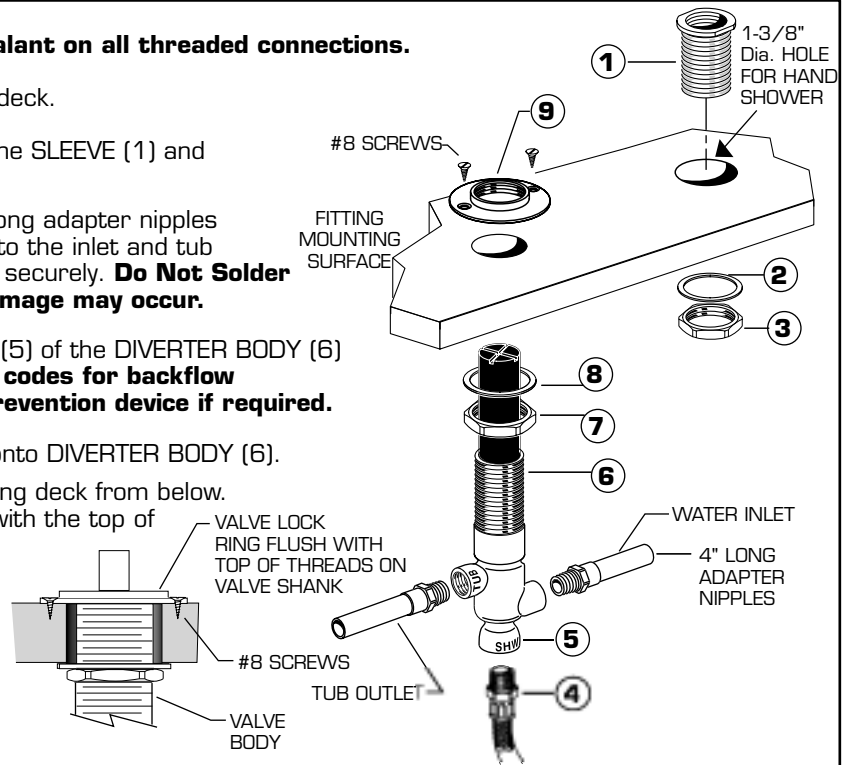
2 LOCATION OF R890 WHEN USED WITH R800



3 INSTALLATION

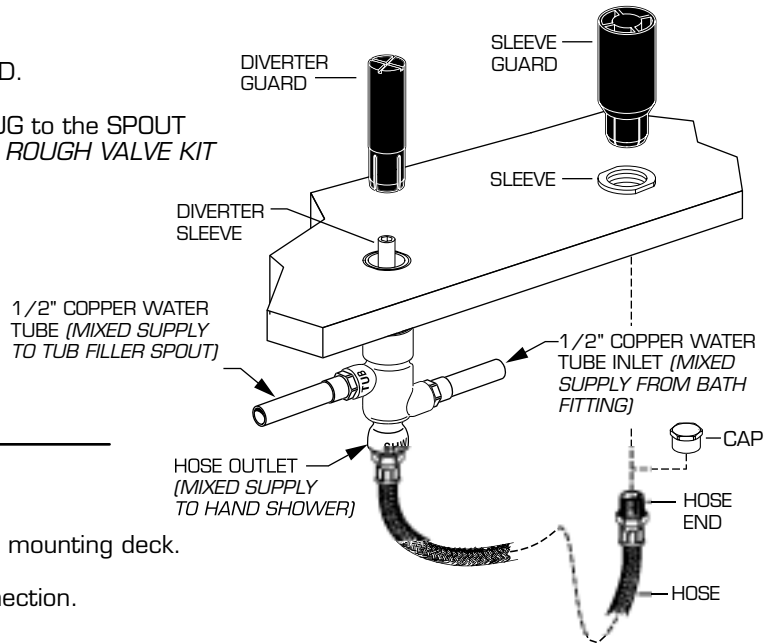
NOTE: Use thread sealant on all threaded connections.

- Drop the SLEEVE (1) into the hole in the mounting deck.
- Assemble the WASHER (2) and LOCKNUT (3) to the SLEEVE (1) and tighten securely.
- For copper water tube installations, make two 4" long adapter nipples (1/2" Male NPT x 1/2" CWT). Thread nipples into the inlet and tub outlet of the DIVERTER BODY. Tighten connections securely. **Do Not Solder these Connections on the DIVERTER BODY. Damage may occur.**
- Thread HOSE (4) into the SHOWER CONNECTION (5) of the DIVERTER BODY (6) and tighten securely. **Check with local plumbing codes for backflow prevention requirements. Install a backflow prevention device if required.**
- Assemble MOUNTING NUT (7) and WASHER (8) onto DIVERTER BODY (6).
- Insert the DIVERTER BODY (6) through the mounting deck from below. Assemble the VALVE LOCK RING (9) so it is flush with the top of the DIVERTER BODY (6).
- Position the DIVERTER BODY (6) as required and tighten the MOUNTING NUT (7) securely.
- Fasten the VALVE LOCK RING (9) to the wooden mounting surface with #8 screws (not provided).
- Connect the water inlet and tub outlet lines to the DIVERTER BODY (6).



4 TEST *Note: Test Cap not provided.*

- Cap the HOSE OUTLET. Remove the DIVERTER GUARD.
- Remove the SPOUT GUARD. Assemble the 1/4" PLUG to the SPOUT SHANK with a thread sealant. *See the R800 SERIES ROUGH VALVE KIT instructions for details.*
- Turn on the water supplies.
- Rotate the DIVERTER SLEEVE back and forth fully. Check all connections for leakage.
- Turn off the water supplies. Replace the DIVERTER GUARD and the SPOUT GUARD. Remove the CAP from the HOSE OUTLET.

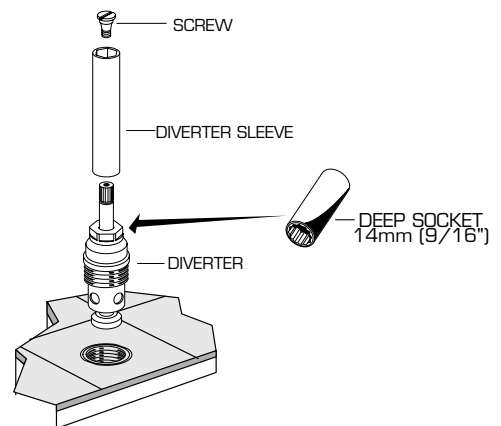


5 HOSE

- Insert the HOSE through the SLEEVE from below the mounting deck.
- Thread the SLEEVE GUARD onto the HOSE END connection.
- Insert the SLEEVE GUARD into the SLEEVE.

6 SERVICE TO REMOVE DIVERTER

- Turn off the water supplies.**
- Turn HANDLE to the off position.
- Remove the SLEEVE from DIVERTER by loosening screw.
- Using 14mm (9/16") Deep Socket, remove diverter.

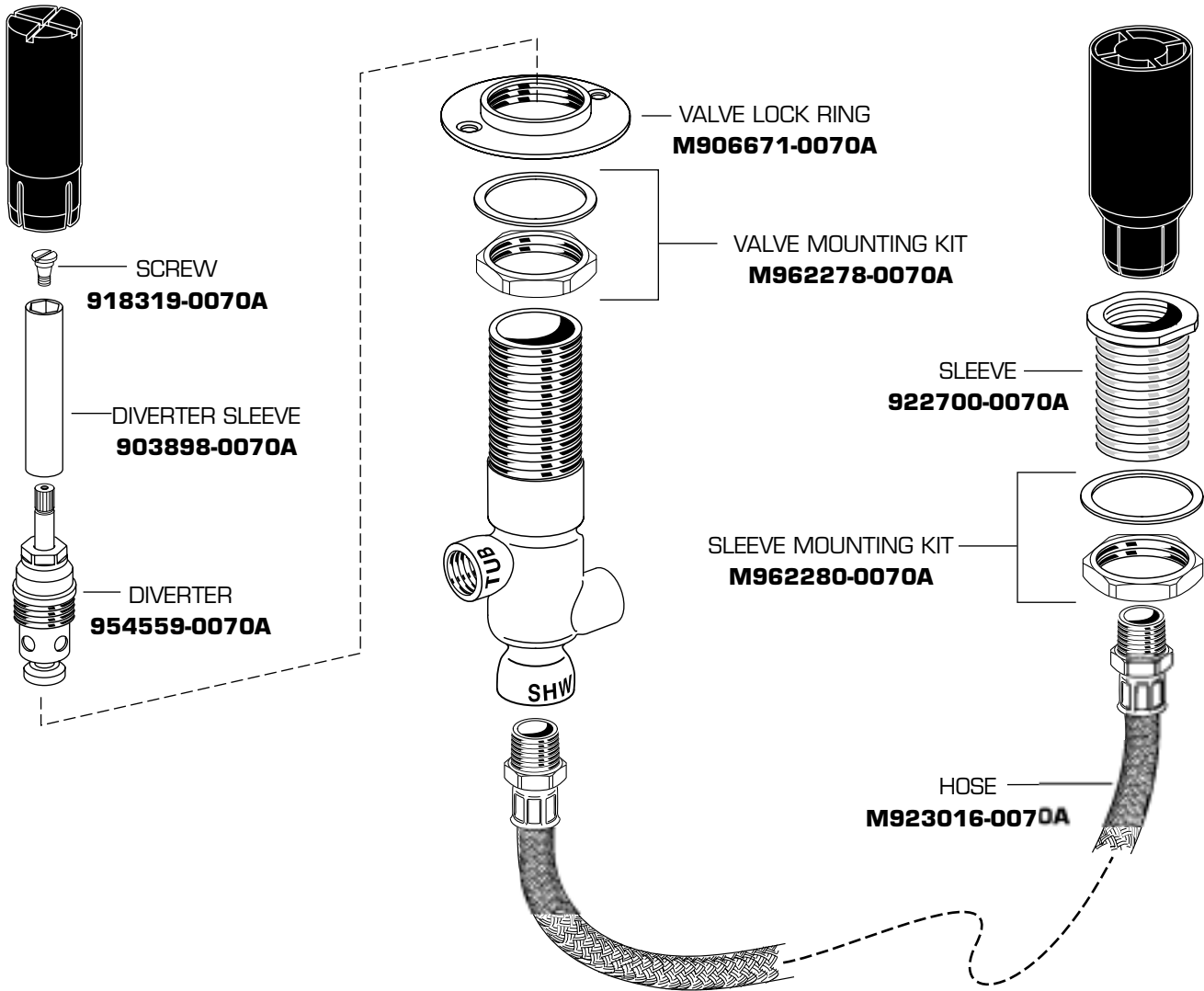


American Standard

**DIVERTER & PERSONAL SHOWER
ROUGH VALVE KIT**

MODEL NUMBER

R890



HOT LINE FOR HELP

For toll-free information and answers to your questions, call:
1-800-442-1902

Weekdays 8:00 a.m. to 8:00 p.m. EST

IN CANADA 1-800-387-0369 (TORONTO 1-905-306-1093)

Weekdays 8:00 a.m. to 7:00 p.m. EST

IN MEXICO 01-800-839-12-00

Product names listed herein are trademarks of American Standard Inc.

© American Standard Inc. 2004

M968355D