

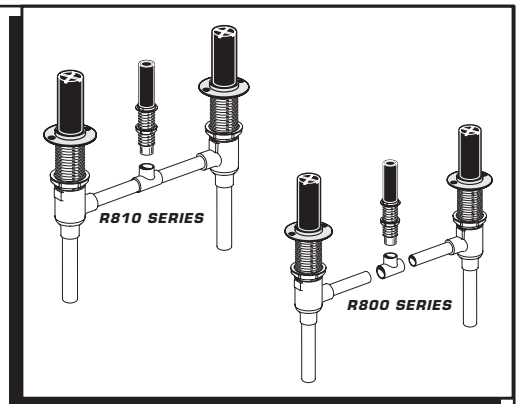
American Standard

DECK MOUNT TUB SYSTEMS ROUGH VALVE KIT

Installation Instructions R800 SERIES R810 SERIES

Thank you for selecting American-Standard...
the benchmark of fine quality for over 100 years.

To ensure that your installation proceeds smoothly—please
read these instructions carefully before you begin.

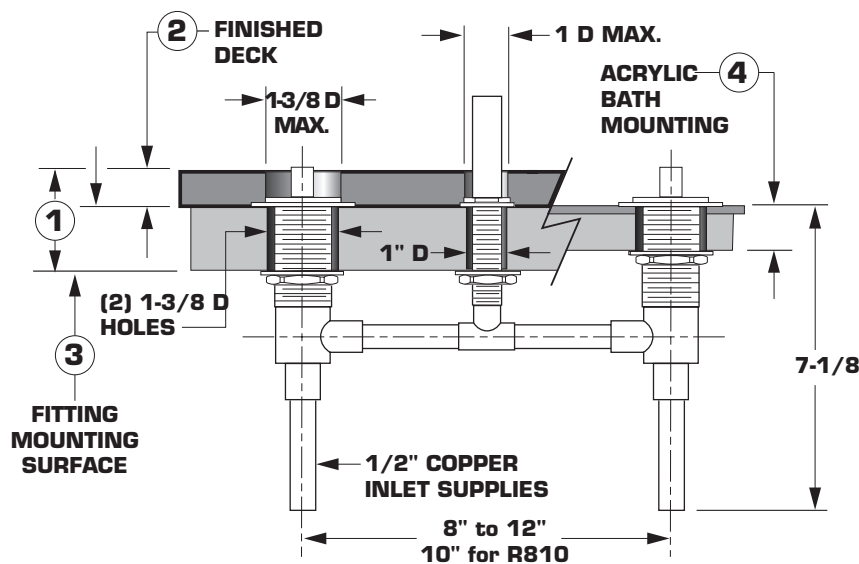


Certified to comply with ANSI A112.18.1

U.S. Patent No. D403,750

M968650C

1 ROUGHING-IN



1. DECK THICKNESS

TOTAL DECK THICKNESS UP TO 2-1/2"

2. FINISHED DECK

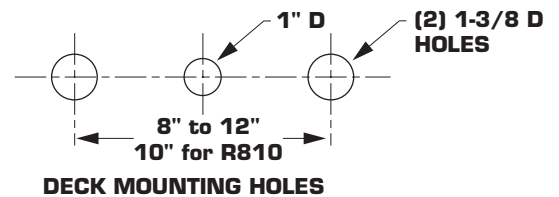
FINISHED DECK VARIABILITY ACCOMMODATES
DECKING MATERIAL (TILE, MARBLE, CORIAN®...) TO 1" THICK

3. FITTING MOUNTING SURFACE

ADJUSTABILITY, TO 1-1/2" THICK

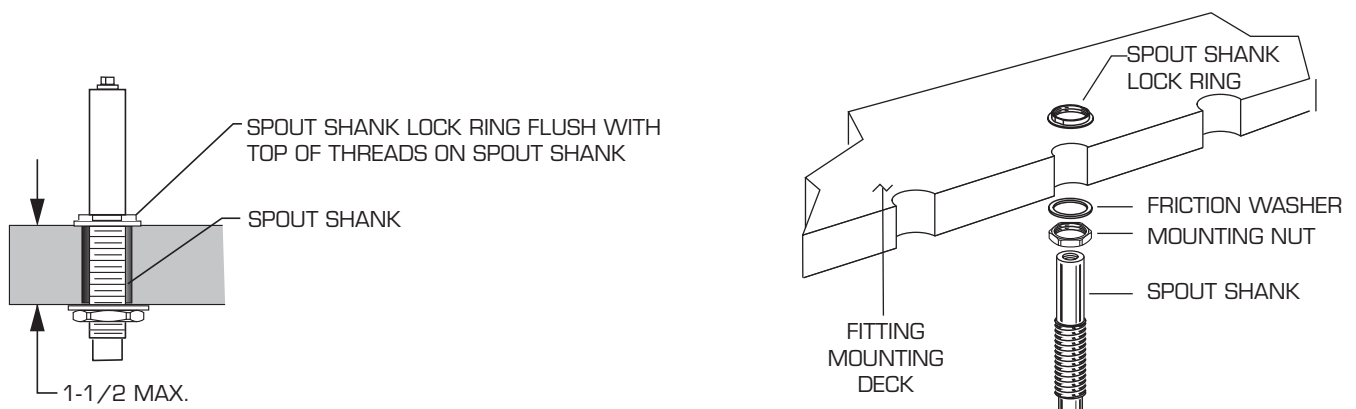
4. ACRYLIC BATHS

ADJUSTABILITY, TO 1-1/2" THICK



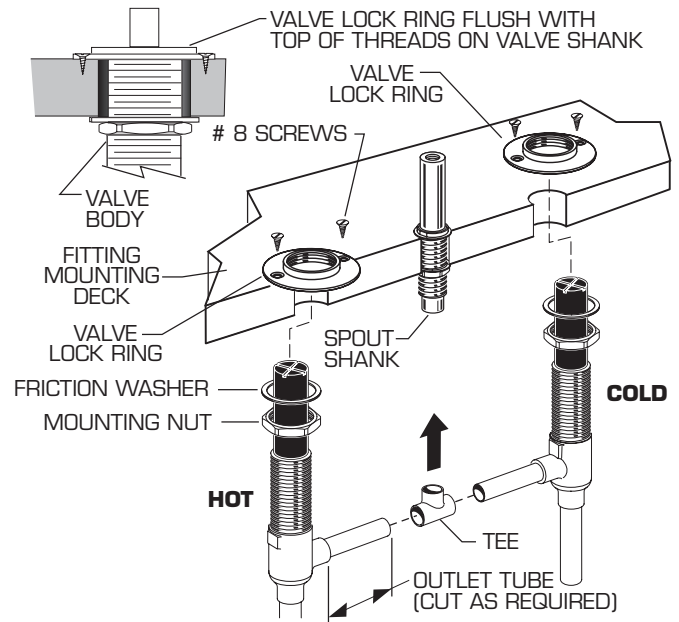
2 MOUNT SPOUT SHANK

- Drill holes in mounting deck as shown. The maximum allowable deck thickness is 1-1/2".
- Insert the SPOUT SHANK through the mounting deck from below. Assemble the SPOUT SHANK LOCK RING so it is flush with the top of the threads on the SHANK.



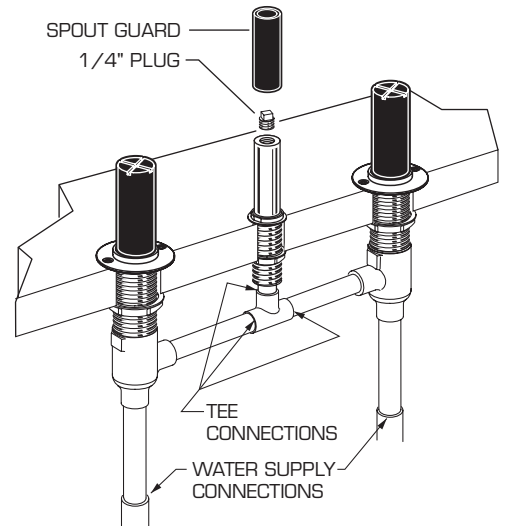
3 MOUNT VALVE BODIES

- Cut the copper outlet tubes of the VALVE BODIES as required. (Not necessary for R810).
- Insert the HOT and COLD VALVE BODIES into the TEE. (Not necessary for R810). The HOT VALVE BODY is marked with a red label.
- Insert the VALVE BODIES and TEE through the mounting deck from below. Assemble the VALVE LOCK RINGS so they are flush with the top of the VALVE BODIES.
- Insert the SPOUT SHANK into the TEE. (Not necessary for R810).
- Tighten the VALVE BODY and SHANK MOUNTING NUTS securely.
- Fasten the VALVE LOCK RING to the wooden mounting surface with #8 screws (not provided).



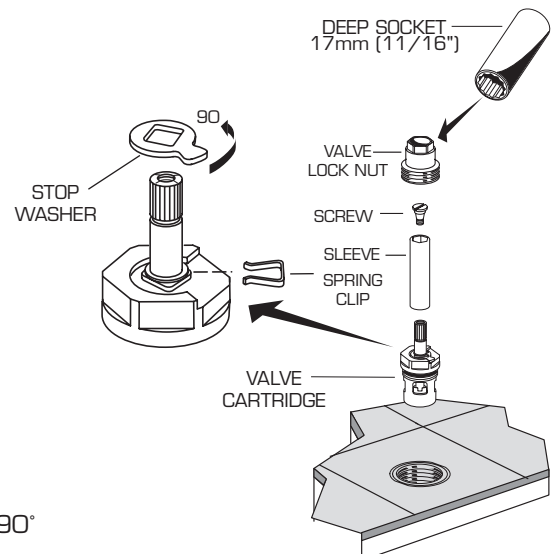
4 SOLDER CONNECTIONS

- Connect the water supply lines to the copper inlet tubes of the VALVE BODY.
- Solder all TEE and WATER SUPPLY CONNECTIONS.
- Remove the GUARD from the SPOUT SHANK. Assemble the 1/4" PLUG to the SPOUT SHANK with a thread sealant.
- Turn on the water supplies and check all connections for leakage.
- Replace the GUARD on the SPOUT SHANK. Turn off the water supplies.



5 SERVICE TO CHANGE THE DIRECTION OF HANDLE ROTATION

- **Turn off the water supplies.**
- Turn HANDLE to the off position.
- Unscrew the VALVE LOCK NUT and remove. A 17mm deep socket is required.
- Remove the CARTRIDGE by pulling upon the SLEEVE.
- Remove the SLEEVE from the CARTRIDGE.
- Remove the SPRING CLIP.
- Remove the STOP WASHER. Turn it 90° and replace.
- Replace the SPRING CLIP.
- Reverse the above steps to reassembly the components.
- If the spout drips, operate the handles several times from the off to the on position. Do not force - the handles only turn 90°

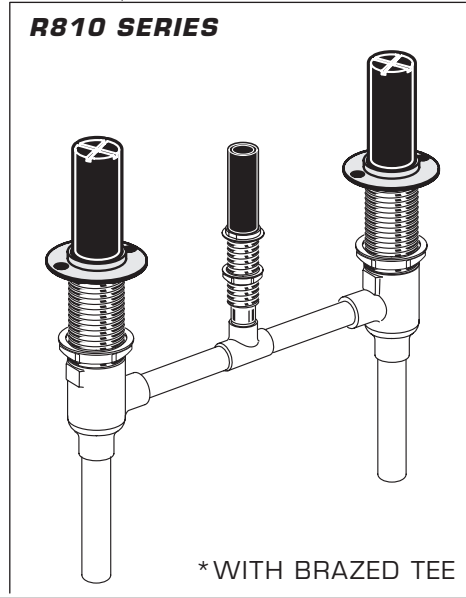
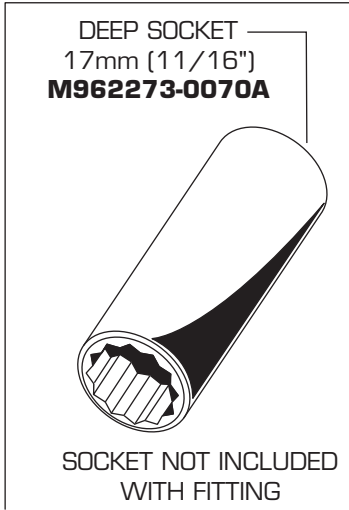
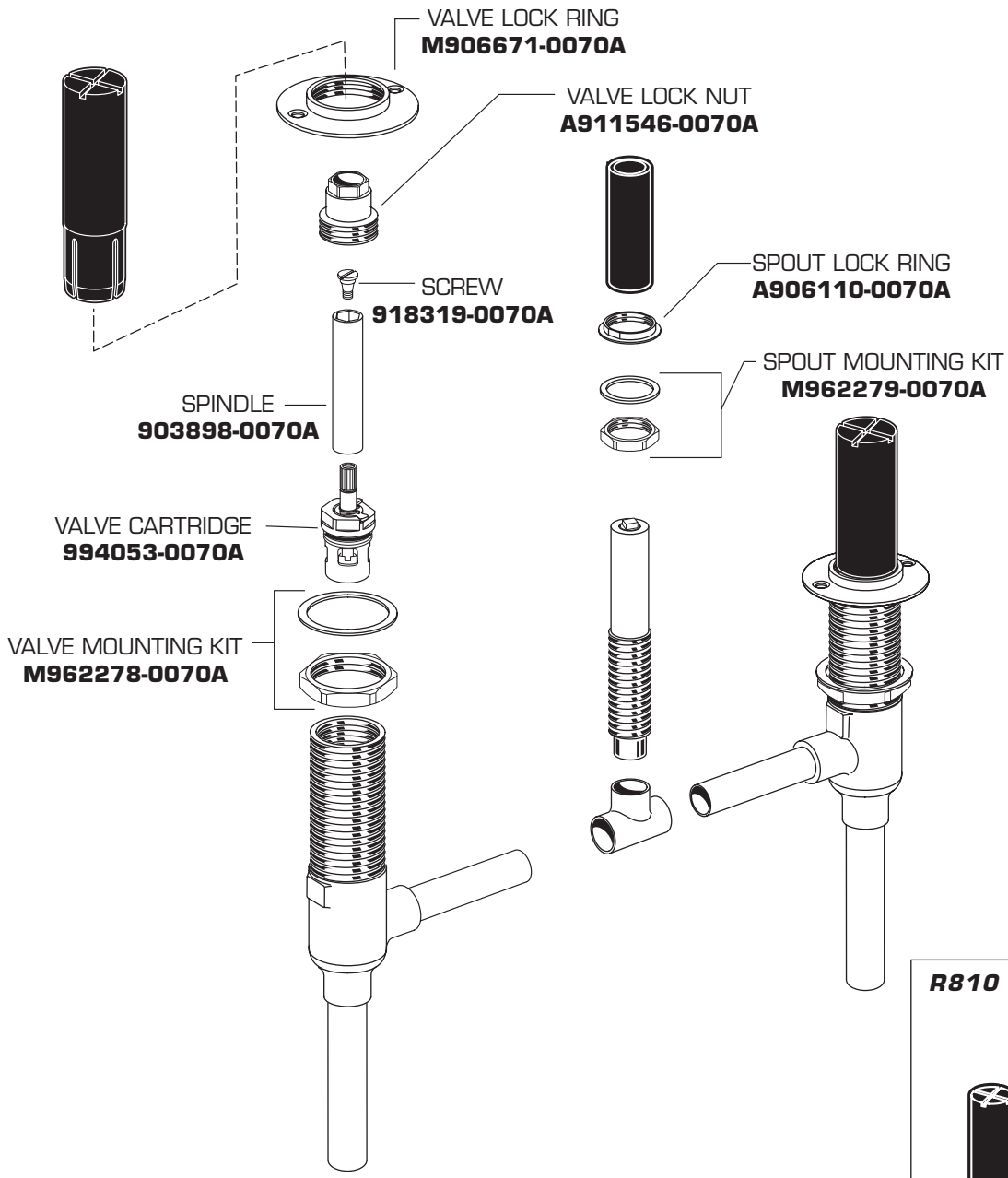


American Standard

DECK MOUNT TUB SYSTEMS

MODEL NUMBERS

R800
R810



HOTLINE FOR HELP

For toll-free information and answers to your questions, call:

1 (800) 442-1902

Weekdays 8:00 a.m. to 7:00 p.m. Eastern Time

IN CANADA 1-800-387-0369 (TORONTO 1-905-306-1093)

Product names listed herein are trademarks of American Standard Inc.
©American Standard Inc. 2003