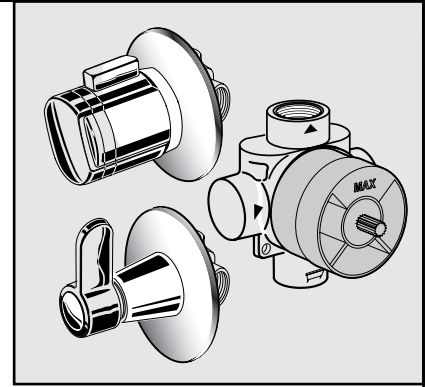


Installation Instructions

SHOWER SYSTEMS

TWO WAY OR THREE WAY IN-WALL DIVERTER

- THREE WAY:**
 1660.300
 1660.430
 1660.431
TWO WAY:
 1660.200
 1660.440
 1660.441

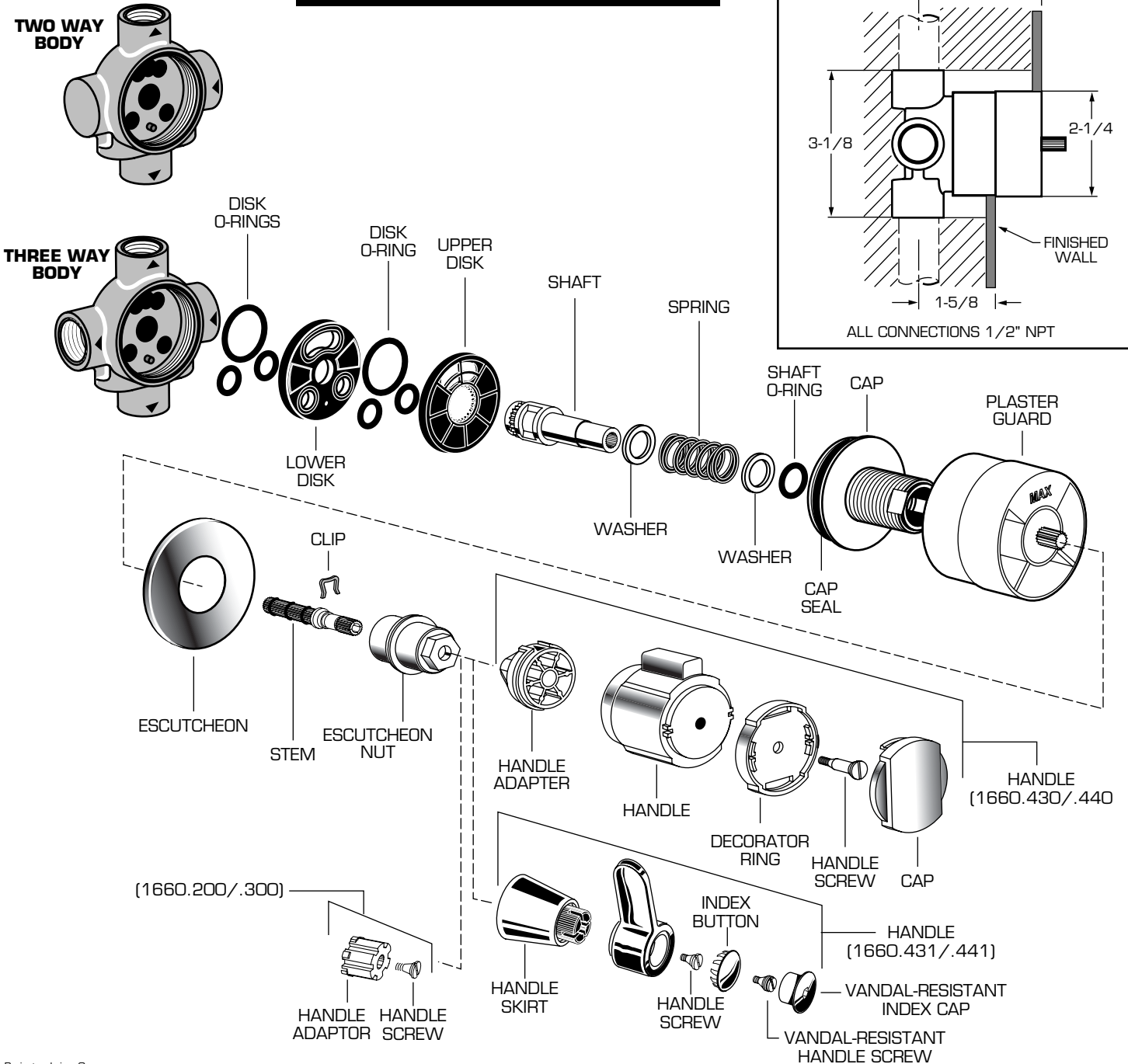


Certified to comply with ANSI A112.18.1M

50321B

Thank you for selecting American-Standard...the benchmark of fine quality for over 100 years. To ensure that your installation proceeds smoothly—please read these instructions carefully before you begin.

CAUTION: DO NOT SEAL ANY OUTLETS. DIVERTER CANNOT BE USED AS A STOP VALVE.



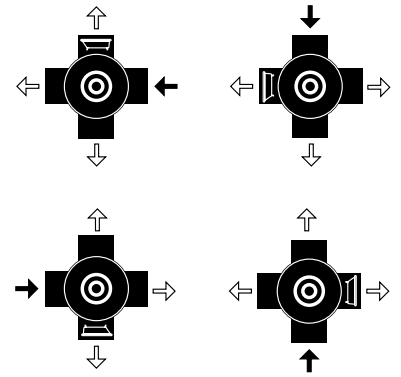
1

ROUGHING-IN

CAUTION

Turn off hot and cold water supplies before beginning.

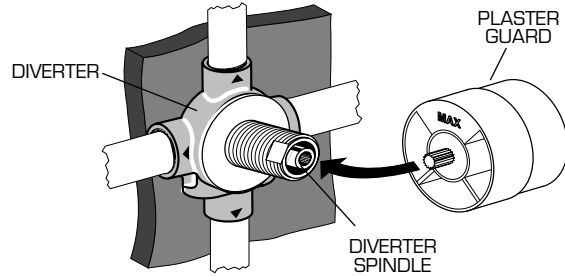
- See Roughing-in Drawing on reverse side. The port with the BATH TUB picture is the high flow.
- The DIVERTER can be installed with the inlet rotated in any position.
- Supply connections are 1/2" NPT connections.
- For proper positioning the finished wall must be within side of PLASTER GUARD.
- Connect water to valve. The reverse side of the body is marked with arrows.
CAUTION: Do not solder near the VALVE. Damage to the SEAL may occur.
Do not seal any outlets. The DIVERTER cannot be used as a stop valve.
- For support use pipe braces secured to wooden braces.



2

TEST DIVERTER

- Check that the DIVERTER operates correctly and does not leak. To do this, screw off the PLASTER GUARD, turn around, and insert using the fluted pin into the fluting on the DIVERTER SPINDLE and use as a diverter knob. Screw the PLASTER GUARD back on. Have the wall tiled only with the PLASTER GUARD screwed on.

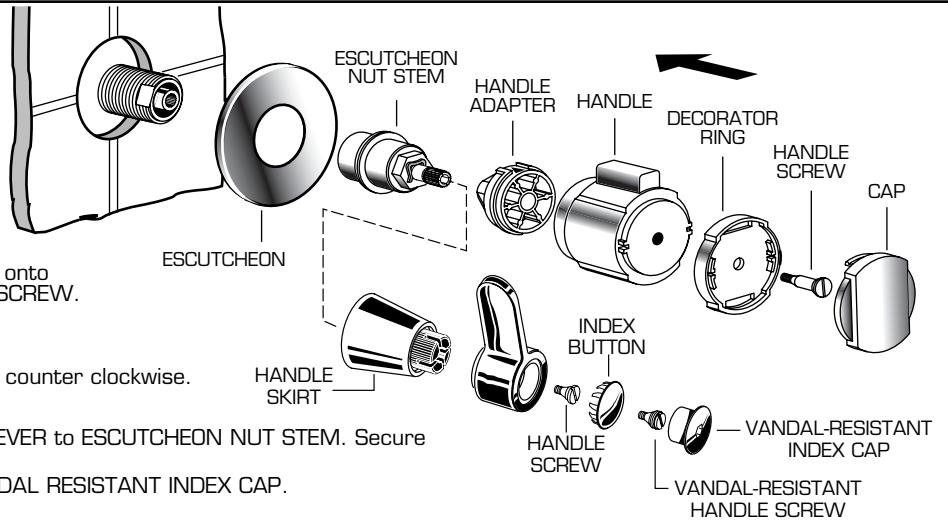


3

INSTALL TRIM

(For 1660.200/.300, handles are purchased separately.)

- When finished tiling wall, remove PLASTER GUARD.
- Place ESCUTCHEON HOLDER and screw HOLDER onto VALVE.
- For 1660.430/.440 Series:**
 - Push HANDLE ADAPTER onto STEM. Make sure arrow is up.
 - Assemble HANDLE and DECORATOR RING onto HANDLE ADAPTER. Secure with HANDLE SCREW.
 - Snap on HANDLE CAP.
 - Check for leaks.
 - To operate, turn the HANDLE clockwise or counter clockwise.



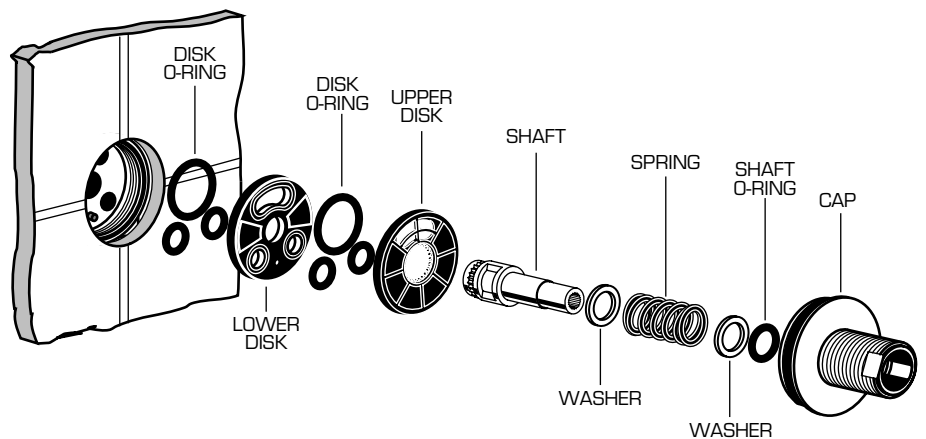
- For 1660.431/.441 Series:**
 - Assemble HANDLE SKIRT then HANDLE LEVER to ESCUTCHEON NUT STEM. Secure with HANDLE SCREW.
 - Push on INDEX BUTTON or screw on VANDAL RESISTANT INDEX CAP.
 - Check for leaks.
 - To operate, turn the HANDLE clockwise or counter clockwise.

4

SERVICE

To Replace O-Rings:

- Turn off water supply.
- For 1660.430/.440 Series:**
 - Use a small screw driver to remove HANDLE CAP.
 - Remove HANDLE SCREW, DECORATOR RING, HANDLE and ADAPTER.
 - Unscrew ESCUTCHEON HOLDER and remove HOLDER and ESCUTCHEON.
 - Unscrew CAP and remove STEM, SPRING and SEALS.
 - Remove old DIVERTER elements and install new parts.
 - Replace remaining parts in reverse order.



For 1660.431/.441 Series:

- Remove INDEX BUTTON (or unscrew VANDAL RESISTANT INDEX CAP).
- Remove HANDLE SCREW, LEVER HANDLE and HANDLE SKIRT.
- Unscrew ESCUTCHEON HOLDER and remove HOLDER and ESCUTCHEON.
- Unscrew CAP and remove STEM, SPRING and SEALS.
- Remove old DIVERTER elements and install new parts.
- Replace remaining parts in reverse order.



HOTLINE FOR HELP
For toll-free information and answers to your questions, call:
1 (800) 442-1902
Weekdays 8:00 a.m. to 7:00 p.m. Eastern Time
IN CANADA 1-800-387-0369 (TORONTO 1-416-536-5609)

Product names listed herein are trademarks of American Standard Inc.
© American Standard Inc. 1995

50321B