

INSTALLATION INSTRUCTIONS

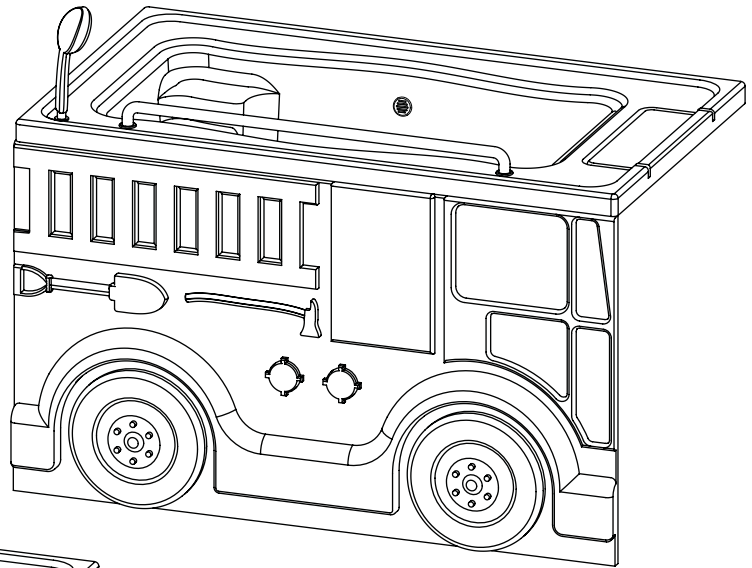
American Standard

Style That Works Better

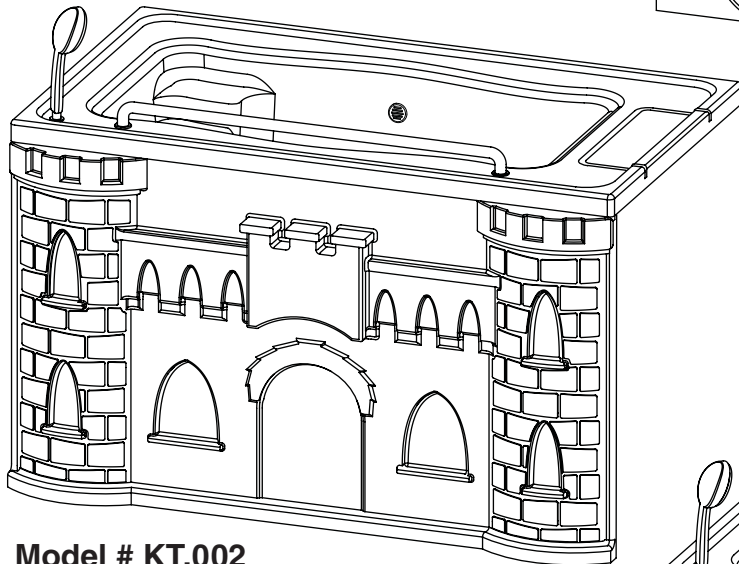
FUN BATH

Models # KT.001, KT.002, KT.003

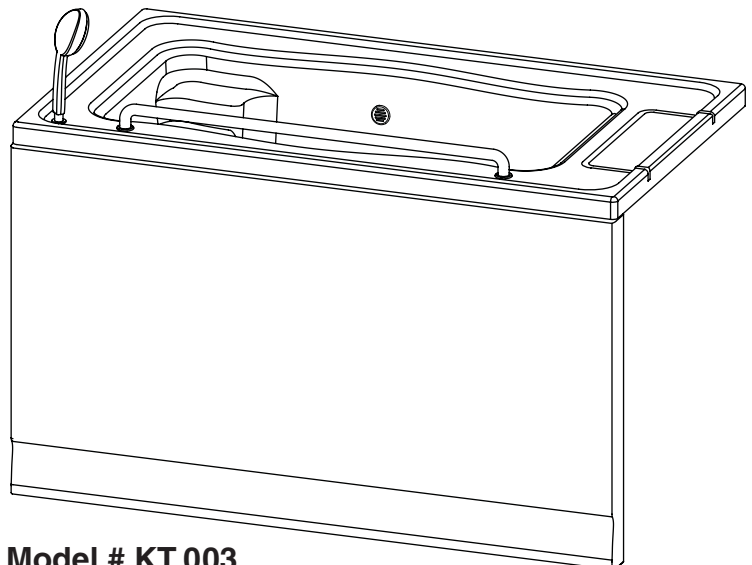
Thank you for selecting American Standard - the benchmark of fine quality for over 100 years. To ensure this product is installed properly, please read these instructions carefully before you begin. (Certain installations may require professional help.) Also be sure your installation conforms to local codes.



Model # KT.001



Model # KT.002



Model # KT.003

SAVE FOR FUTURE USE

SAFETY WARNINGS

WARNING: DROWNING HAZARD - Infants have DROWNED in bath tubs, ALWAYS keep child with in adult's reach.

WARNING: Never leave child unattended when using tub.

WARNING: Never allow other children to substitute for adult supervision.

WARNING: Never lift this product with child in it.

WARNING: Never place this product in water, in a an adult bath tub or sink.

WARNING: Children can drown in as little as 1 inch of water, always bathe your child in as little water as necessary.

WARNING: Always test the water temperature in bath, prior to placing child into tub, water temperature should be 90°F to 100°F (32.2°C to 37.8°C).

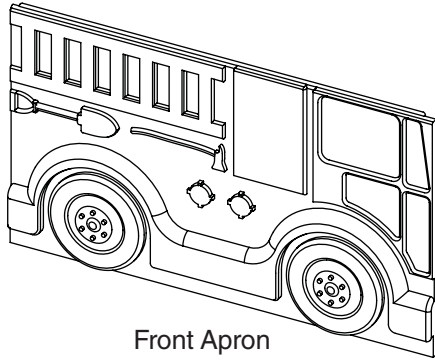
WARNING: Always keep the drain open in the adult tub.

WARNING: Discontinue use of product if it becomes damaged, broken, or disassembled.

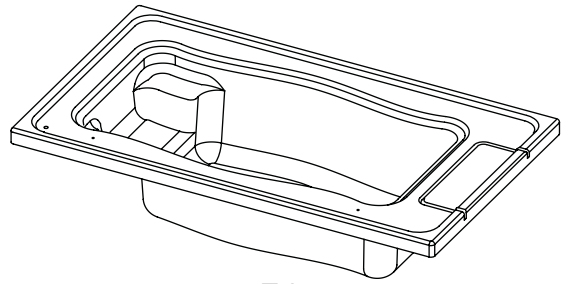
PRODUCT WARNINGS

1. This product is for children **0-6 YEARS OF AGE**.
2. **MAXIMUM LOAD** 250 lbs. (113.39 kg.) - 250 lbs. load includes water and bather.
3. Never let child jump off of tub.
4. Never let child **DIVE** into or out of tub.
5. Never let child use grab bar and/or front apron to climb into and out of tub - **POTENTIAL TIPPING HAZARD**.
6. Use mild soap and water to clean tub and front apron.
7. Always place front apron back onto tub, after installation and regular cleaning - **POTENTIAL TIPPING HAZARD**.
8. Never let child stand or sit on top deck of tub.

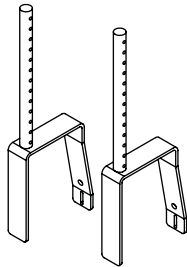
Parts List



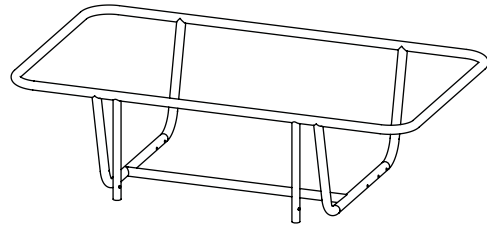
Front Apron



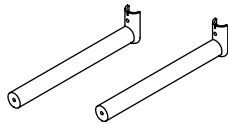
Tub



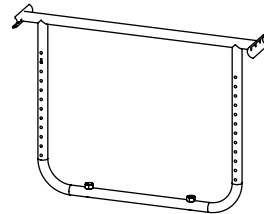
Tub Front Support (2x)



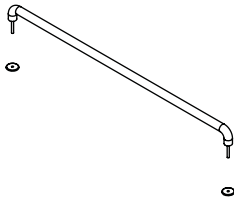
Upper Frame



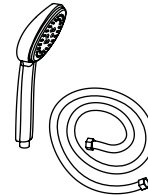
Reinforcement Bar (2x)



Lower Frame



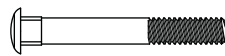
Grab Bar (1x) & Polished Washers (2x)



Hand Held Shower & Hose



Hex Bolt 1" Long (2x)



Carriage Bolt 2" Long (2x)



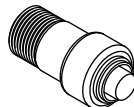
Flat Head Machine Screw 1-1/2" Long (6x)



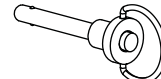
Washer (20x)



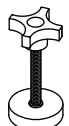
Hex Nut (8x)



Shark Bite Fitting
1/2 NPT to Smooth Pipe



Quick Release Pin (x)

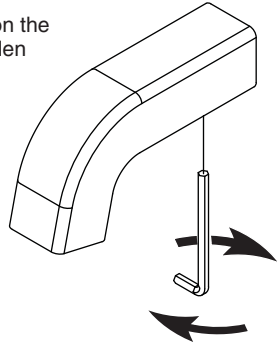


Leveling Feet (4x)

1

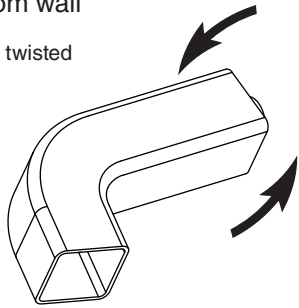
Remove faucet spout from wall.

Some faucets have set screws on the bottom of spout. And need an Allen wrench to be removed.



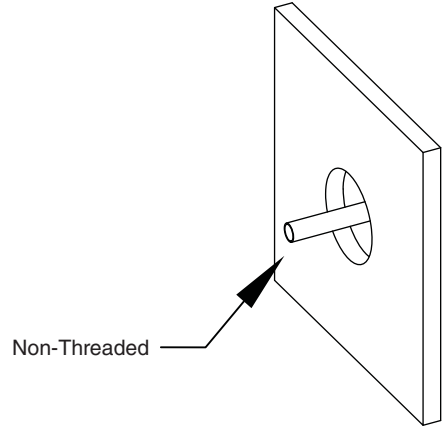
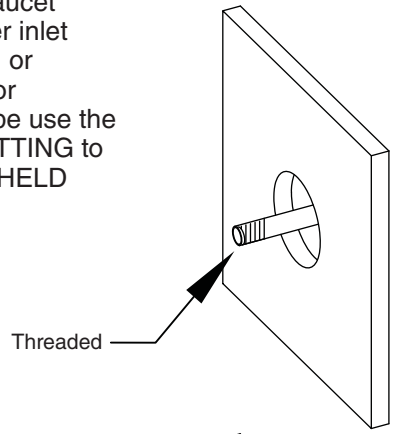
Remove faucet spout from wall

Some faucets only need to be twisted to be removed.



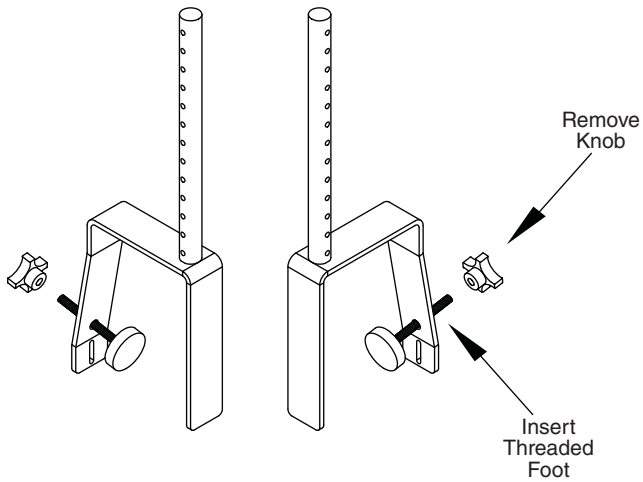
2

After removing faucet check if the water inlet pipe, is threaded or non-threaded. For non-threaded pipe use the SHARK BITE FITTING to attach to HAND HELD HOSE.



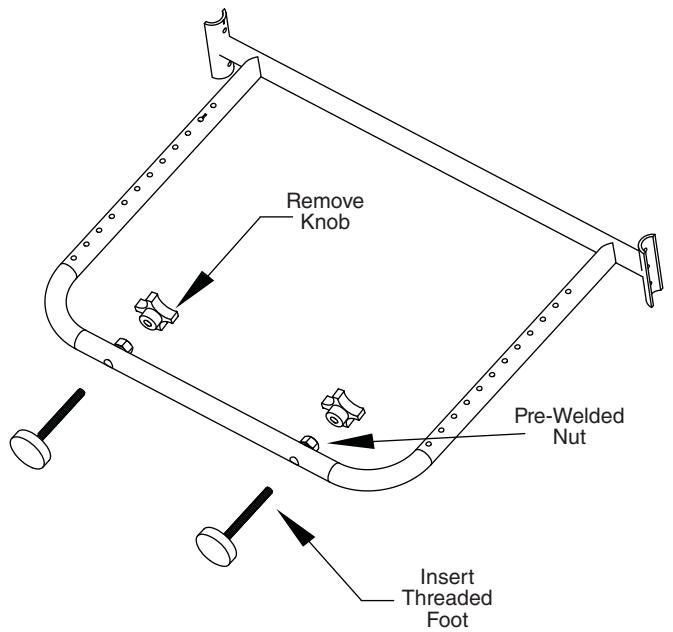
3

Add LEVELING FEET to FRONT TUB SUPPORTS.



4

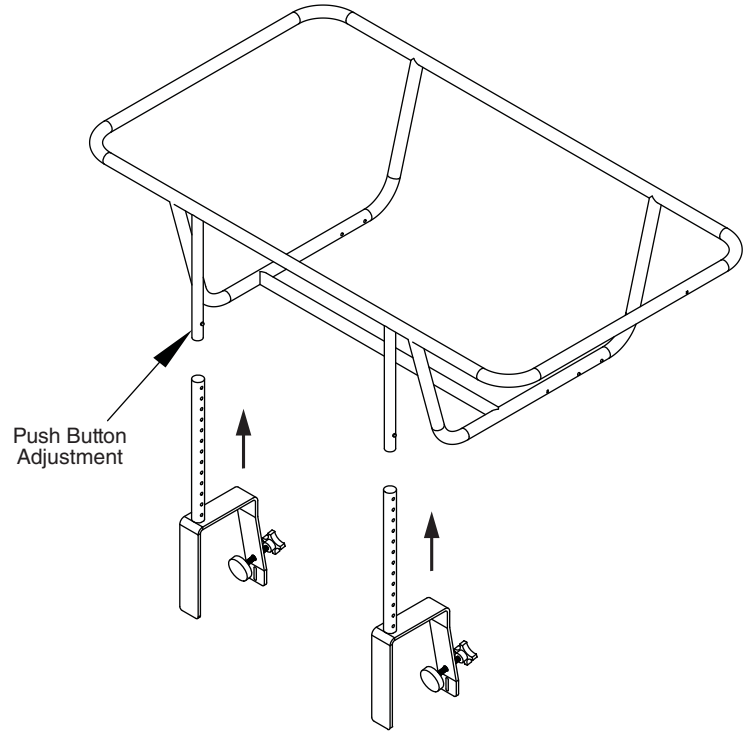
Add LEVELING FEET to LOWER FRAME.



5

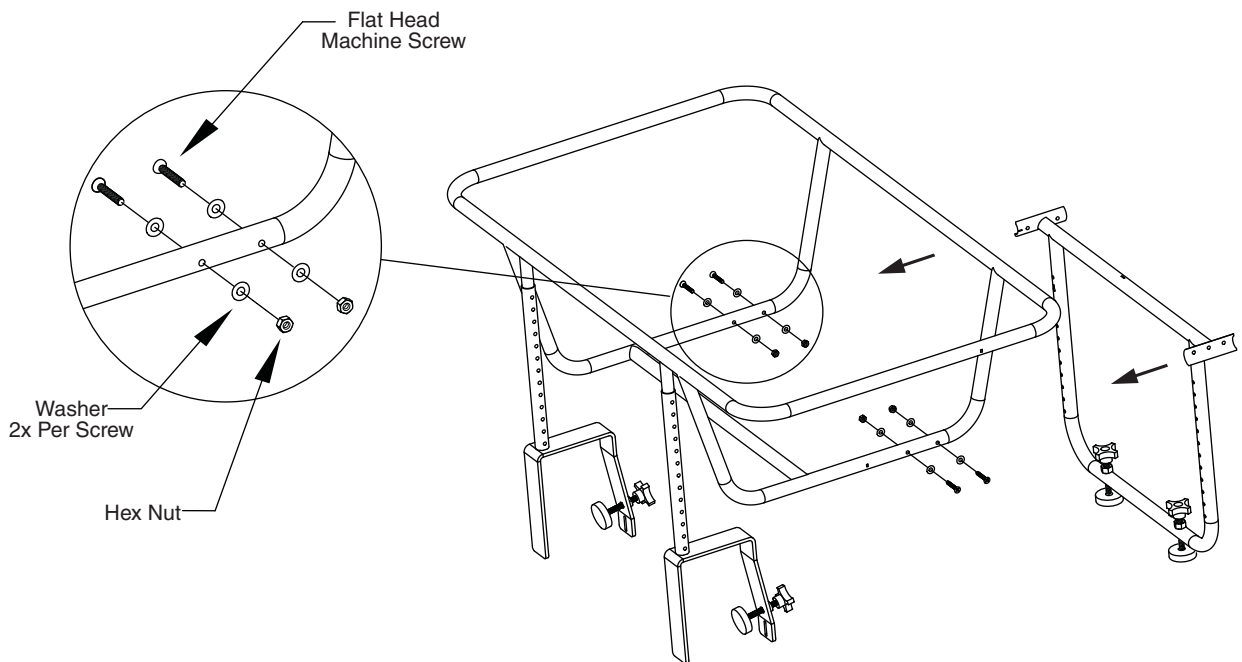
Add FRONT TUB SUPPORTS to UPPER FRAME.

Use the QUICK PUSH BUTTON to lock FRONT TUB SUPPORT in place, at desired height.



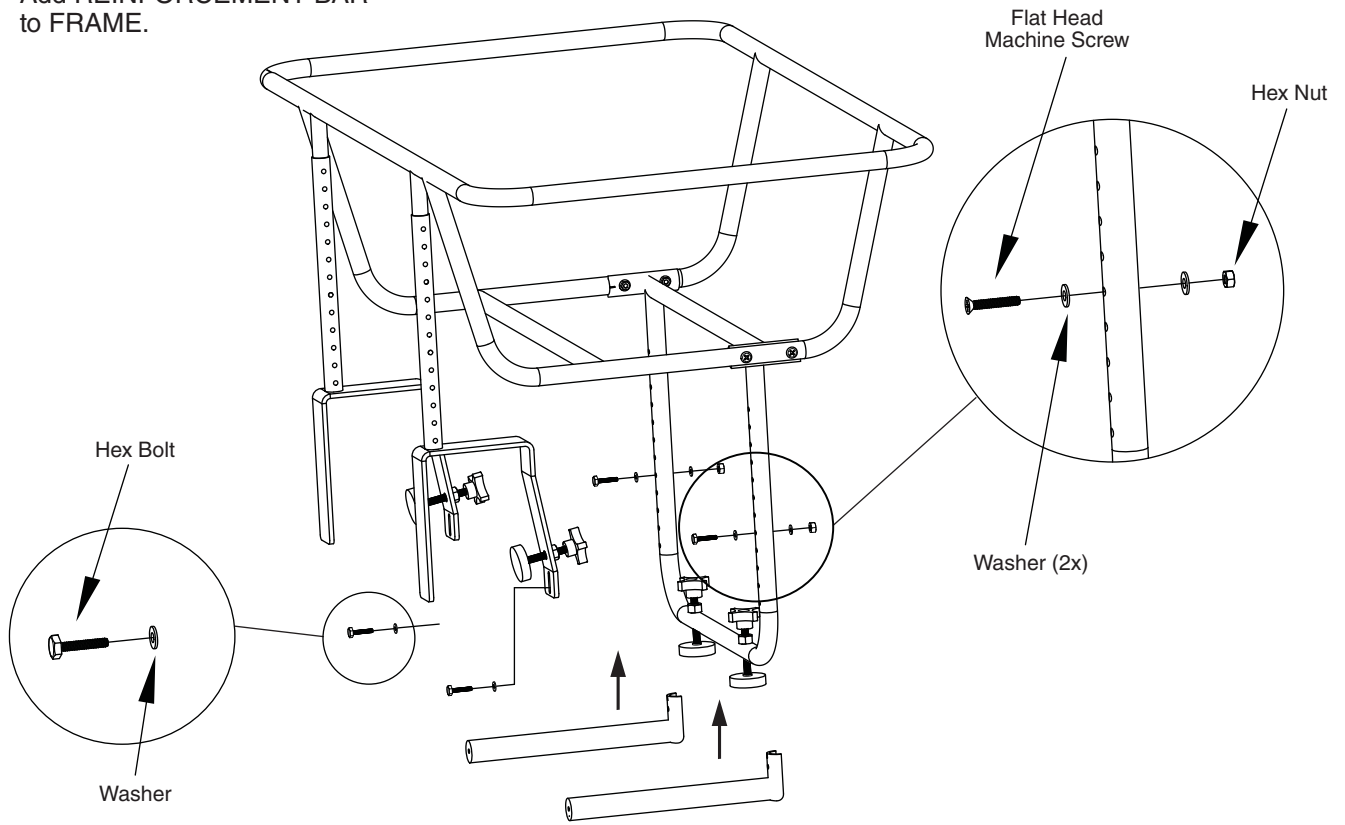
6

Add LOWER FRAME to UPPER FRAME.

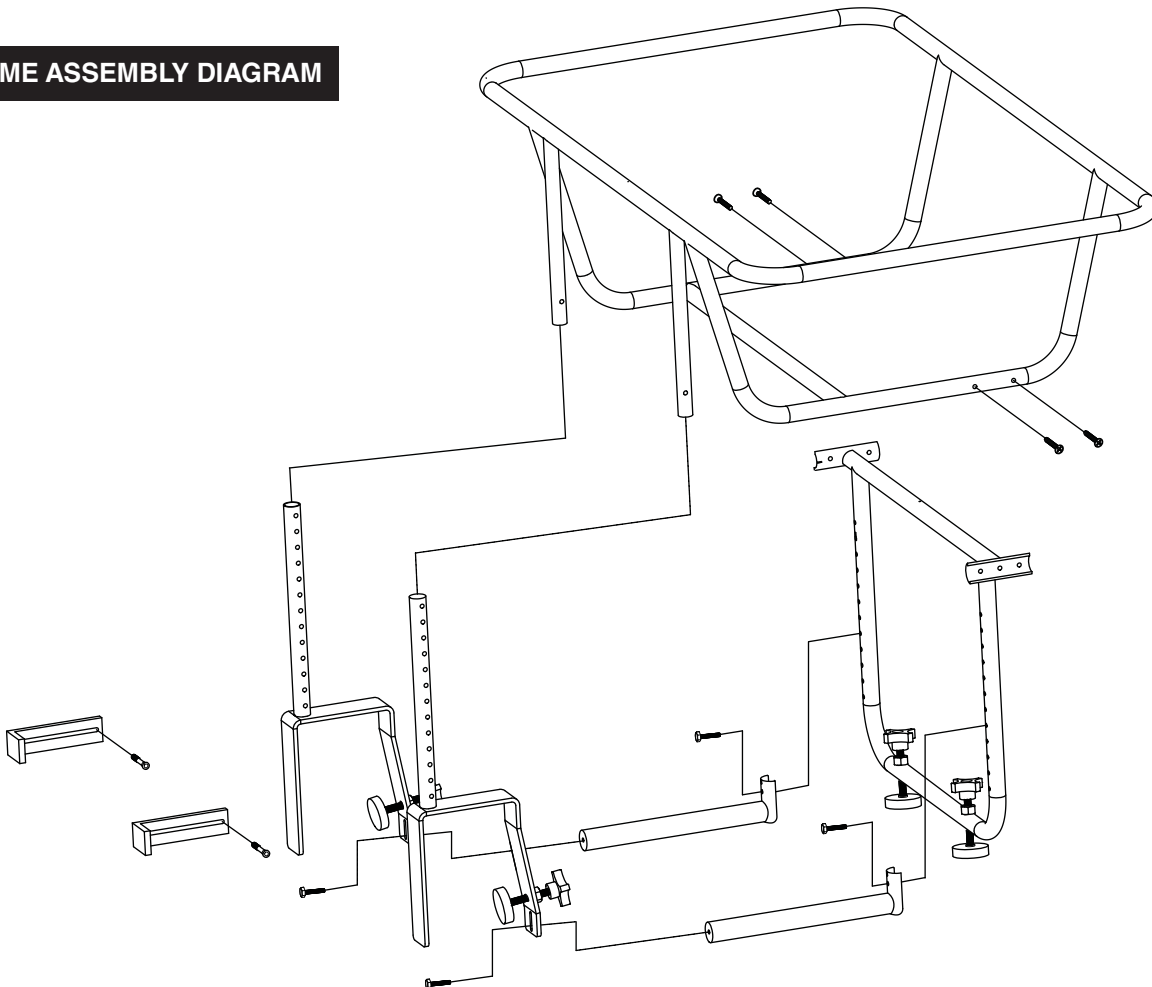


7

Add REINFORCEMENT BAR to FRAME.



FRAME ASSEMBLY DIAGRAM



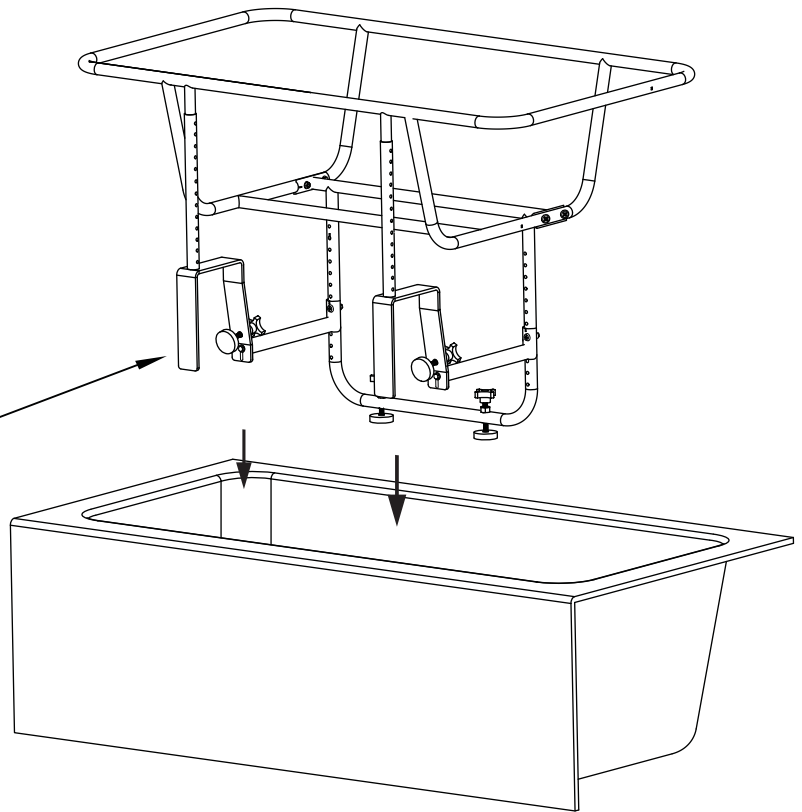
8

Mount **FRAME** to existing bath tub.

Adjust **LEVELING FEET** so frame sits on existing bath tub.

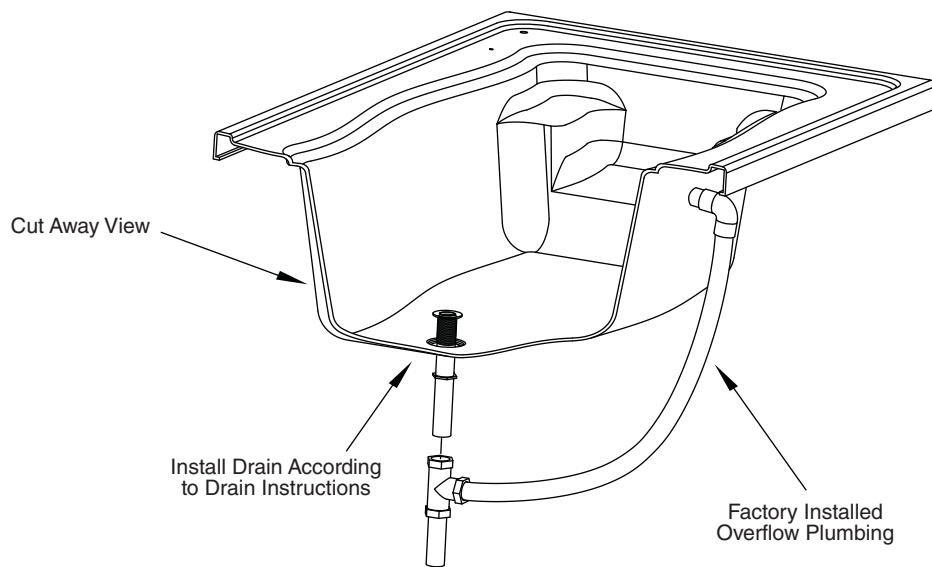
CAUTION: Be sure existing tub drain is in open position before installing the Fun Bath.

WARNING: Only hand tighten **LEVELING FEET**, overtightening can crack or puncture the preexisting tub.



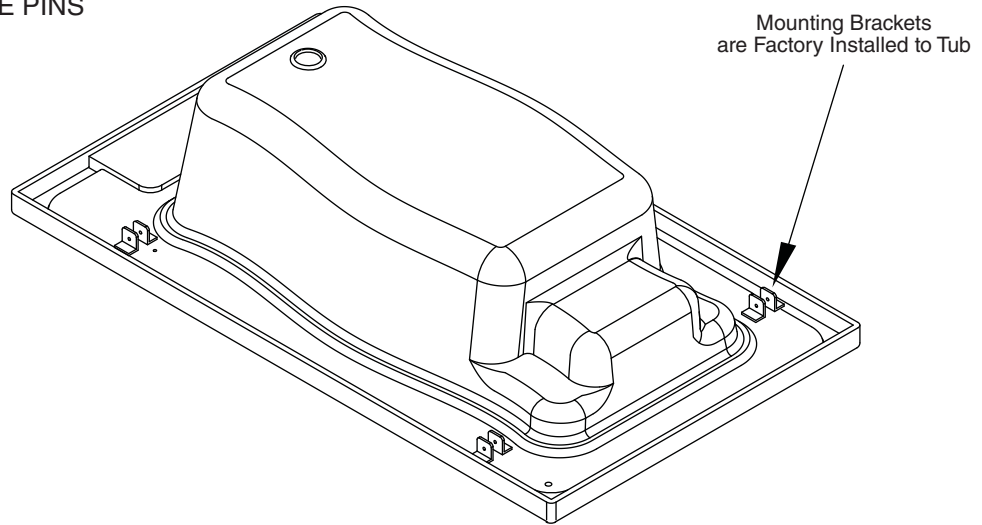
9

Drain and overflow install.



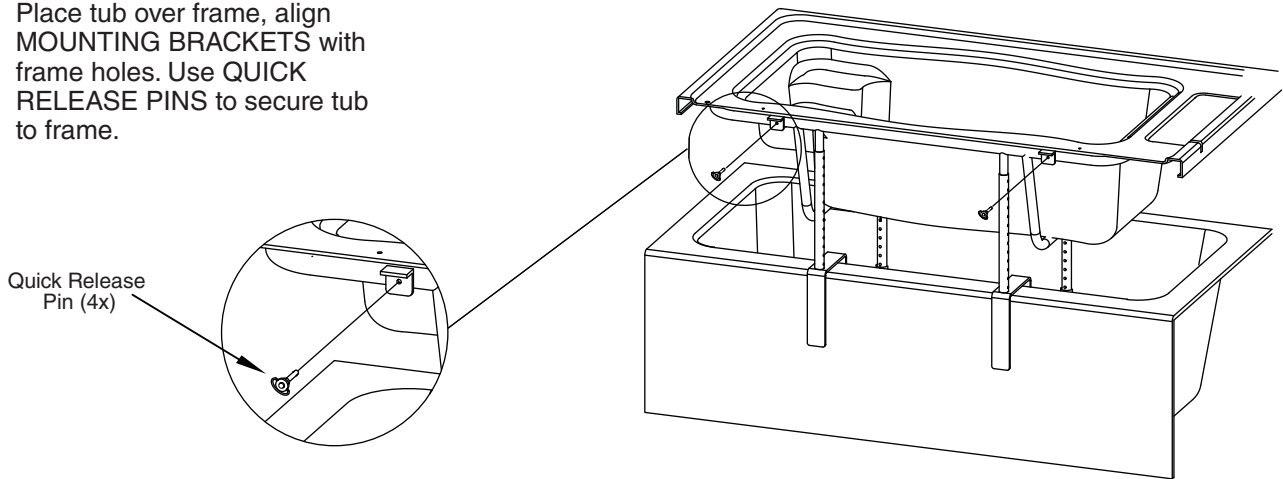
10

Inspect MOUNTING BRACKETS, gather QUICK RELEASE PINS (4x), for next step.



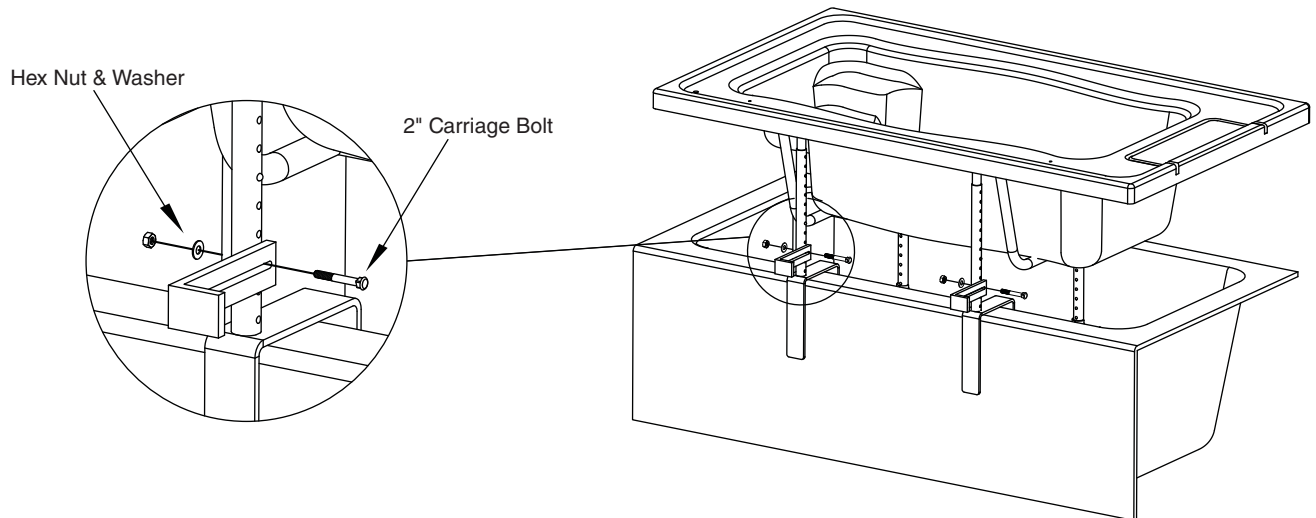
11

Place tub over frame, align MOUNTING BRACKETS with frame holes. Use QUICK RELEASE PINS to secure tub to frame.



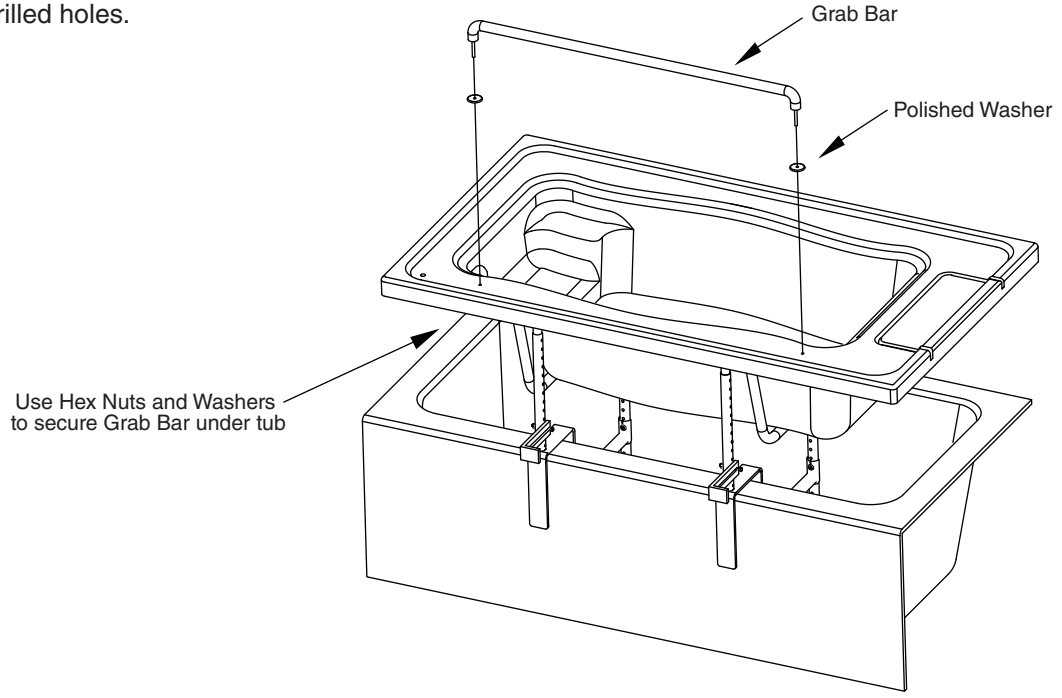
12

Add FRONT APRON BRACKETS (2x)



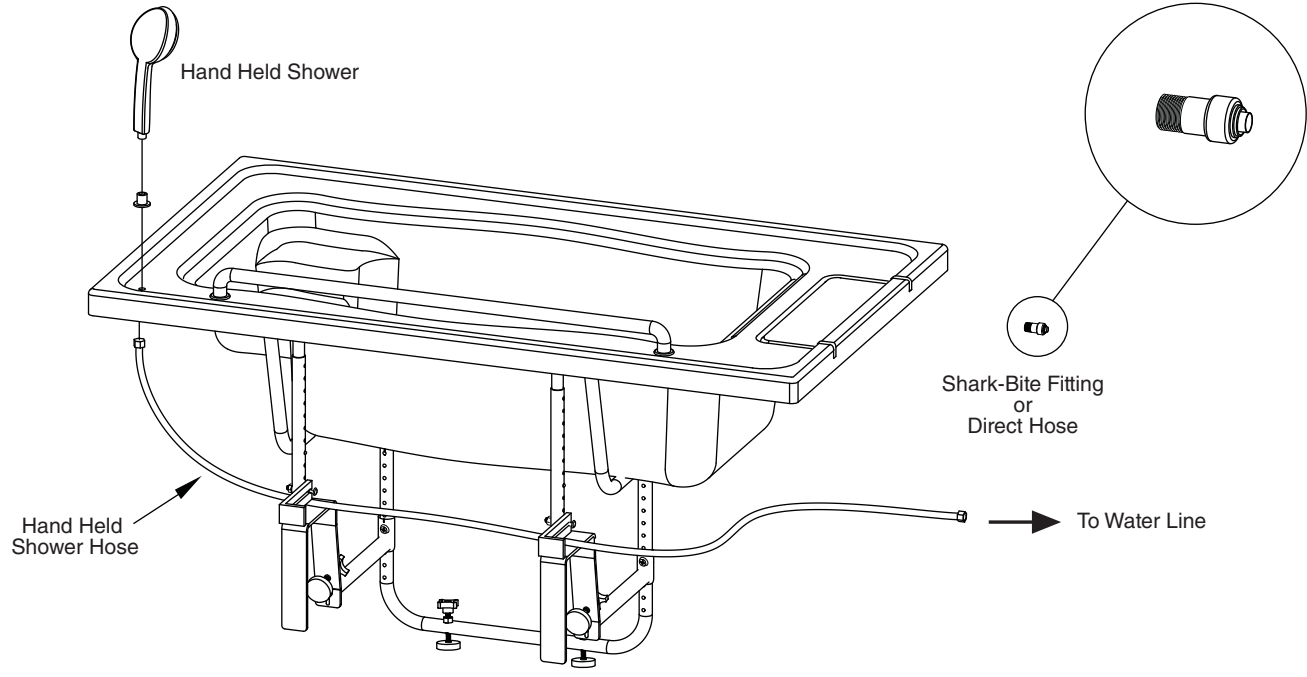
13

Add GRAB BAR to tub, align with pre-drilled holes.



14

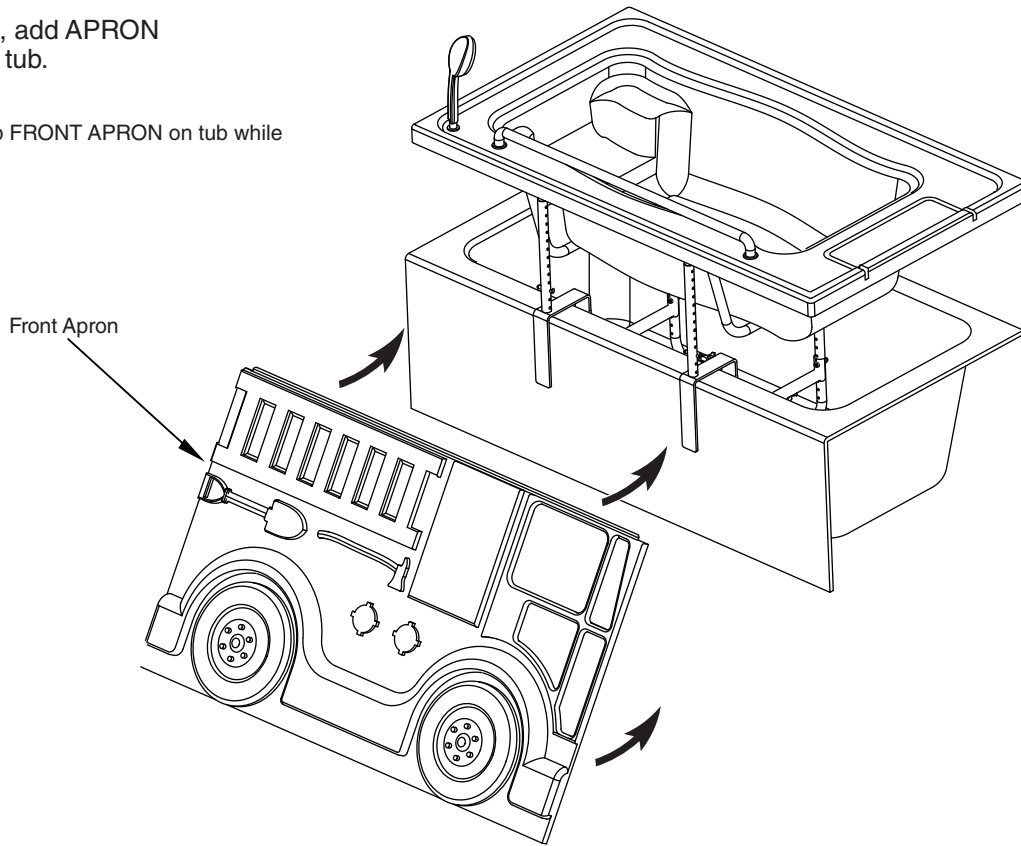
Mount HAND SHOWER on tub deck.



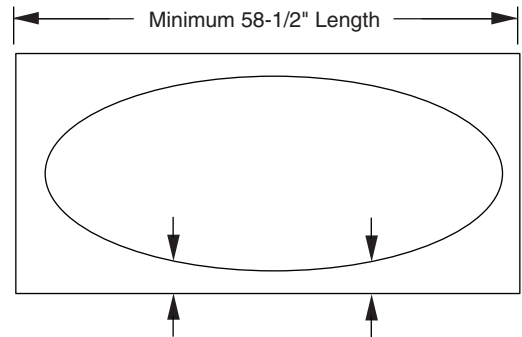
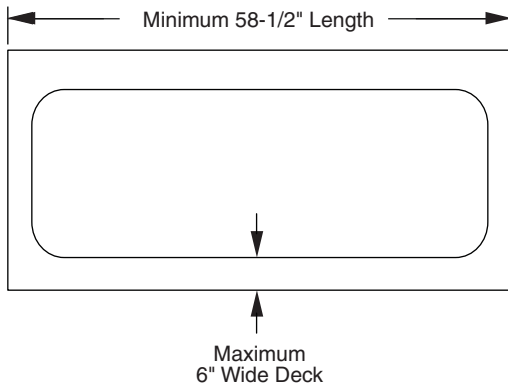
15

Final step, add APRON to front of tub.

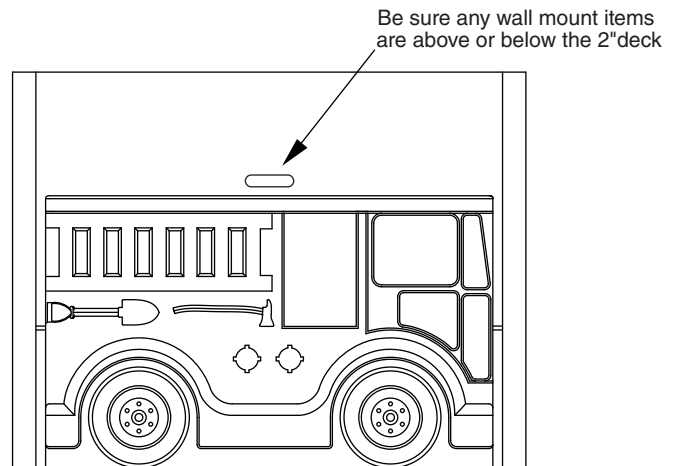
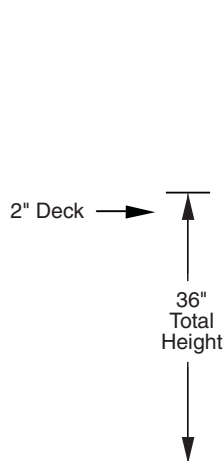
Always keep FRONT APRON on tub while in use.



SUGGESTED TUB SIZES FOR USE WITH THE FUN TUB



Once installed the Fun Bath will be 36" tall, be sure there are no soap dishes, shelving or faucetry that would interfere with installation.



LIMITED WARRANTY COVERAGE

AS America, Inc. "American Standard" Fun Baths are warranted in accordance with the following warranty:

This warranty is extended to the first purchaser and does not extend to products previously used as display models or products that have been modified or repaired by anyone else but American Standard unless approved by American Standard. American Standard premium acrylic Fun baths come with a fifteen (15) year warranty on the bathtub, ten (10) year warranty on the tub components.

WARRANTY LIMITATIONS

In the event of a defect in the material or workmanship of a product, defective products will be repaired or replaced. The manufacturer shall not be liable for the expense of removing defective products or installing replacement products or the expense of adjoining components such as tile, marble, wall panels, ceilings etc. No liability shall exist for incidental or consequential damages caused in whole or part by any defect in this product. No warranty, expressed or implied, including any warranty of merchantability or fitness for a particular purpose, shall apply after the warranty period described above. This warranty does not cover defects or damage caused by the common carrier or installer from, without limitation, any of the following: careless handling, lifting bathtubs by the piping, modification of the product for any reason, improper installation (including installation not in accordance with instructions provided with the unit), and acts of God.

RETURN POLICY

American Standard is committed to providing premium customer service. In the event that a product must be returned due to reasons other than defects, as mentioned in the warranty, the following procedures apply:

Requests for returns and/or exchanges must be made within 30 days of receipt of product. The product must be in its original packaging and received at American Standard in saleable condition. All returns will receive a **15% restocking fee** plus all freight costs of the original shipment and return shipment to American Standard.

All requests for return must first be approved.

In the United States:

American Standard Brands
P.O. Box 6820
Piscataway, New Jersey 08855
Attention: Director of Consumer Affairs

For residents of the United States, warranty information may also be obtained by calling the following toll free number: (877) 304-2800
www.americanstandard.com

In Canada:

AS Canada ULC
5900 Avebury Rd.
Mississauga, Ontario
Canada L5R 3M3

Toll Free: (800) 387-0369
www.americanstandard.ca

In Mexico:

American Standard B&K Mexico
S. de R.L. de C.V.
Via Morelos #330
Col. Santa Clara
Ecatepec 55540 Edo. Mexico
Toll Free: 01-800-839-1200
www.americanstandard.com.mx