

### RECESSED OVAL BOWL

Made In U.S.A.



- One piece, seamless vanity top
- 3/4" thick deck
- High quality cultured marble with extra thick wear layer
- Recessed oval bowl design
- Raised faucet deck and no-drip edge
- 4" back splash
- 4" faucet centers
- Less faucet, drain assembly and supply
- Custom sizes available

- CMR2519**
- CMR3119**
- CMR3719**
- CMR4919**

#### Bowl sizes:

16-3/8" (417mm) wide  
11-1/2" (292mm) front to back  
5-7/8" (149mm) deep

- CMR2522**
- CMR3122**
- CMR3722**
- CMR4922**
- CMR6122**
- CMR6122.XXX.D** Double Bowl

#### Bowl sizes:

16-3/4" (463mm) wide  
12-7/8" (327mm) front to back  
5-7/8" (149mm) deep

#### Compliance Certifications -

##### Meets or Exceeds the Following Specifications:

- CSA B45.5
- IAPMO Z 124

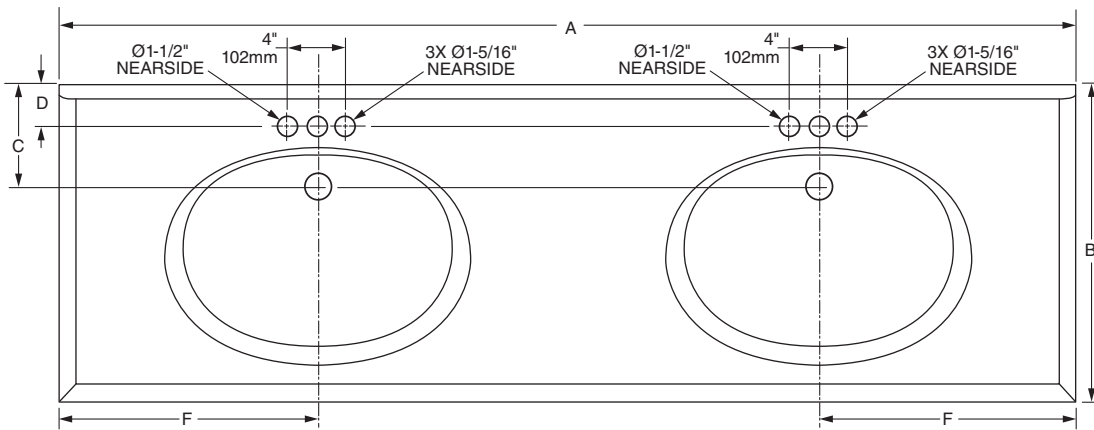
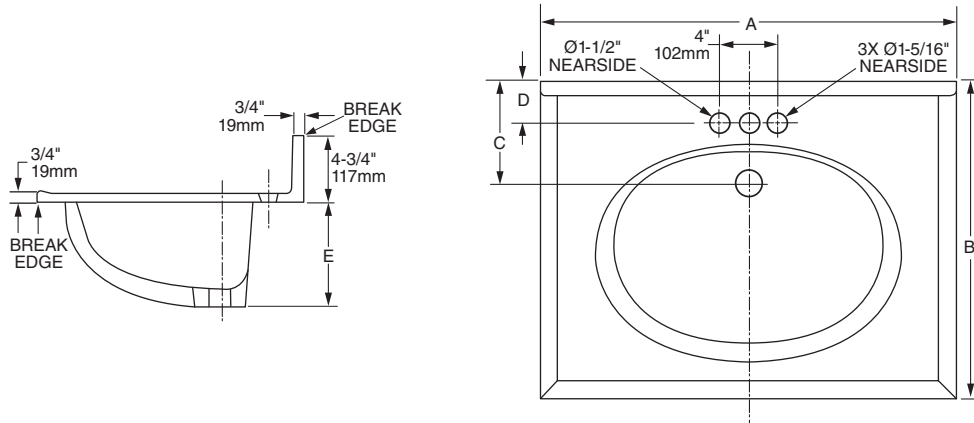


#### To Be Specified

- Color:
- Faucet:
- Faucet Finish:
- Supplies:
- Trap:

\* See faucet section for additional models available

SEE REVERSE FOR PRODUCT DIMENSIONS  
AND SPECIFICATIONS



| MODEL #                      | SIZE      |
|------------------------------|-----------|
| CMR2519                      | 25" x 19" |
| CMR3119                      | 31" x 19" |
| CMR3719                      | 37" x 19" |
| CMR4919                      | 49" x 19" |
| CMR2522                      | 25" x 22" |
| CMR3122                      | 31" x 22" |
| CMR3722                      | 37" x 22" |
| CMR4922                      | 49" x 22" |
| CMR6122                      | 61" x 22" |
| CMR6122.XXX.D<br>Double Bowl | 61" x 22" |

| DIMENSIONS    |       |       |       |        |        |         |                   |                    |  |
|---------------|-------|-------|-------|--------|--------|---------|-------------------|--------------------|--|
| MODEL #       | DIM A | DIM B | DIM C | DIM D  | DIM E  | DIM F   | NOMINAL BOWL SIZE | NOMINAL BOWL DEPTH |  |
| CMR2519       | 25"   | 19"   | 6"    | 2-1/2" | 7-1/2" | N/A     | 16-3/8" x 11-1/2" | 5-7/8"             |  |
| CMR3119       | 31"   | 19"   | 6"    | 2-1/2" | 7-1/2" | N/A     | 16-3/8" x 11-1/2" | 5-7/8"             |  |
| CMR3719       | 37"   | 19"   | 6"    | 2-1/2" | 7-1/2" | N/A     | 16-3/8" x 11-1/2" | 5-7/8"             |  |
| CMR4919       | 49"   | 19"   | 6"    | 2-1/2" | 7-1/2" | N/A     | 16-3/8" x 11-1/2" | 5-7/8"             |  |
| CMR2522       | 25"   | 22"   | 8"    | 3-1/2" | 7-1/2" | N/A     | 16-3/4" x 12-7/8" | 5-7/8"             |  |
| CMR3122       | 31"   | 22"   | 8"    | 3-1/2" | 7-1/2" | N/A     | 16-3/4" x 12-7/8" | 5-7/8"             |  |
| CMR3722       | 37"   | 22"   | 8"    | 3-1/2" | 7-1/2" | N/A     | 16-3/4" x 12-7/8" | 5-7/8"             |  |
| CMR4922       | 49"   | 22"   | 8"    | 3-1/2" | 7-1/2" | N/A     | 16-3/4" x 12-7/8" | 5-7/8"             |  |
| CMR6122       | 61"   | 22"   | 8"    | 3-1/2" | 7-1/2" | N/A     | 16-3/4" x 12-7/8" | 5-7/8"             |  |
| CMR6122.XXX.D | 61"   | 22"   | 8"    | 3-1/2" | 7-1/2" | 15-1/2" | 16-3/4" x 12-7/8" | 5-7/8"             |  |

**NOTES:**  
\* DIMENSIONS SHOWN FOR LOCATION OF SUPPLIES AND "P" TRAP ARE SUGGESTED. FITTINGS NOT INCLUDED WITH FIXTURE AND MUST BE ORDERED SEPARATELY.

**IMPORTANT:** Dimensions of fixtures are nominal and may vary within the range of tolerances established by ANSI Standard A112.19.9M. These measurements are subject to change or cancellation. No responsibility is assumed for use of superseded or voided pages.