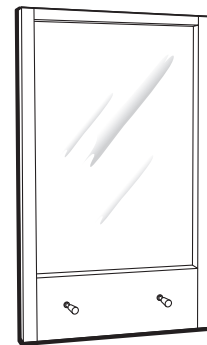
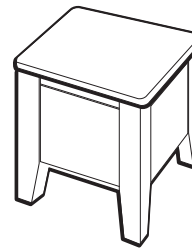


# ASSEMBLY & INSTALLATION INSTRUCTIONS

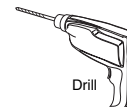
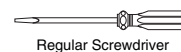
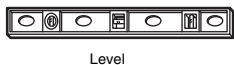
**CASCADA MIRROR 9435.101**  
**CASCADA STOOL 9437.100**



Thank you for selecting our products... products which have been the benchmarks of fine quality for over 100 years. To help insure that the installation process will proceed smoothly, please read these instructions carefully before you begin. Also, review the recommended tools and materials list; carefully unpack and examine your new plumbing fixture.

To maintain the beauty of the finish, avoid placing the furniture in direct sunlight, as sunlight causes fading. Also avoid extreme changes in temperature by arranging furniture away from radiators, heat and air vents, and air conditioning units. Avoid placing furniture directly under windows.

## Recommended Tools & Materials



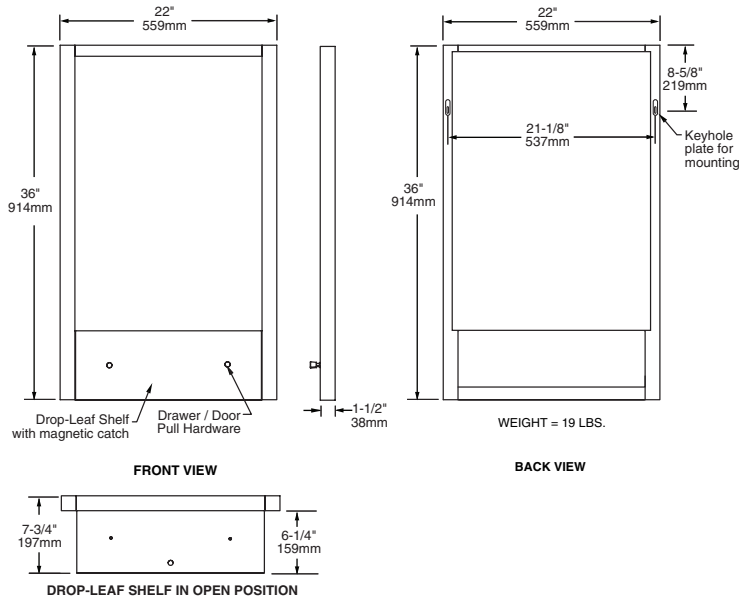
### CASCADA MIRROR 9435.101 MIRROR INSTALLATION

**NOTE:** Where possible, try to affix to a stud or provide adequate wall support for the size and weight of the mirror.

Mirror comes with Mounting Pockets on frame.

Affix screws to wall using drywall anchors supplied at dimensions shown. (21-1/8" on centers). Suggested height 63-3/8" from floor.

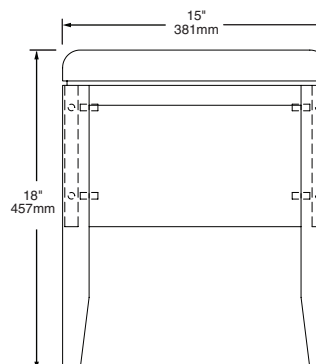
#### Roughing-in Dimensions



### CASCADA STOOL 9437.100

Place the stool at the desired location. Leave clearance on the side for the storage door to open up.

#### Roughing-in Dimensions



## Care and Cleaning

Clean the product by using a soft, slightly damp cloth. Buff the product by using a soft dry cloth. When cleaning the mirror, spray the mirror with a glass cleaner and wipe clean. Avoid using silicone cleaners and waxes.

Clean up excess water and spills immediately. Use a blotting rather than a wiping action. Water left over a long period of time will cause white spots in the finish.

NOTE: Please note that some chemicals may damage the finish. Take care to avoid the following: iodine, hair dye, shaving cream, after shave lotion, alcohol, perfume, Lestoil®, Lysol Tub and Tile Cleaner®, Lysol Spray Disinfectant®, Dow Disinfectant®, acetone, paint remover, Formula 409®, Tile-X®, and Nair®.

### AMERICAN-STANDARD WOOD FURNITURE WARRANTY

If inspection of this American-Standard plumbing product, within one year after its initial purchase, confirms that it is defective in materials or workmanship, American-Standard will repair or, at its option, exchange the product for a similar model. Variations in actual wood color and finishes which may result from natural characteristics of the wood, such as grain patterns, mineral streaks and the like, are not defects and are not covered by this warranty.

This warranty applies only to the original purchaser and installation of these products.

This limited warranty does not apply to local building code compliance. Since local building codes vary considerably, the purchaser of this product should check with a local building or plumbing contractor to insure local code compliance before installation.

This warranty shall be void if the product has been moved from its initial place of installation; if it has been subjected to faulty maintenance, abuse, misuse, accident or other damages; if it was not installed in accordance with American-Standard's instructions; or if it has been modified in a manner inconsistent with the product as shipped by American-Standard.

American-Standard's option to repair or exchange the product under this warranty does not cover any labor or other costs of removal or installation, nor shall American-Standard be responsible for any other incidental or consequential damages attributable to a product defect or to the repair or exchange of a defective product, all of which are expressly excluded from this warranty. (Some states or provinces do not allow the exclusion or limitation of implied warranties, so this exclusion may not apply to you).

This warranty gives you specific legal rights. You may have other statutory rights that vary from state to state or province to province, in which case this warranty does not affect such statutory rights.

**In the United States:**

American Standard Inc.  
P.O. Box 6820  
Piscataway, New Jersey 08855  
Attention: Director of Consumer Affairs

For residents of the United States, warranty information may also be obtained by calling the following toll free number: (800) 442-1902  
[www.americanstandard-us.com](http://www.americanstandard-us.com)

**In Canada:**

American Standard  
2480 Stanfield Rd.  
Mississauga, Ontario  
Canada L4Y 1S2

Toll Free: (800) 387-0369  
[www.americanstandard.ca](http://www.americanstandard.ca)

**In Mexico:**

Customer Service Manager  
Ideal Standard, S.A. de C.V.  
Via Morelos #330  
Col. Santa Clara  
Ecatepec 55540 Edo. Mexico  
[www.americanstandard.com.mx](http://www.americanstandard.com.mx)

REPAIR PART NO.	DESCRIPTION	MIRROR	STOOL
7301063-0070A	BRUSHED NICKEL PULL	X	
738639-0070A	NAIL-IN FLOOR GLIDE		X
7301060-0070A	HINGE W/SCREW		X
7301061-0070A	MIRROR SHELF STOP	X	