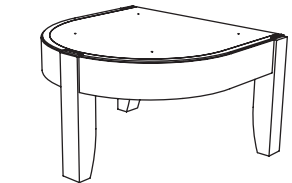
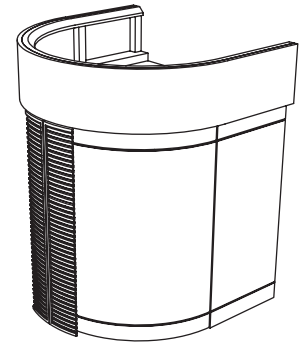


ASSEMBLY & INSTALLATION INSTRUCTIONS

Tropic 20" Vanity 9212020 Tropic Vanity Base 9212400



0403.008 Tropic Petite
Pedestal Sink (Sold Separately)



9212400 Tropic 20" Vanity Base
OPTIONAL (Sold Separately)

VANITY TOP	RECOMMENDED SINKS	RECOMMENDED FAUCETS
Not Required	0403.008 / Tropic Petite Pedestal Sink	7038.801 Tropic 8" / 7010.801 Green Tea 8"
Not Required	0403.004 / Tropic Petite Pedestal Sink	7038.201 Tropic 4" / 7010.201 Green Tea 4"

Thank you for selecting our products...products which have been the benchmarks of fine quality for over 100 years. To help insure that the installation process will proceed smoothly, please read these instructions carefully before you begin. Also, review the recommended tools and materials list; carefully unpack and examine your new plumbing fixture.

To maintain the beauty of the finish, avoid placing the furniture in direct sunlight, as sunlight causes fading. Also avoid extreme changes in temperature by arranging furniture away from radiators, heat and air vents, and air conditioning units. Avoid placing furniture directly under windows.

Recommended Tools & Materials



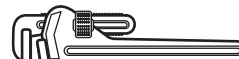
Adjustable Wrench



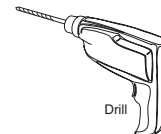
Channel Locks



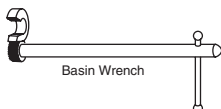
Hacksaw



Pipe Wrench



Drill



Basin Wrench



Plumbers' Putty or
Caulking



Tape
Measure



Putty Knife



Phillips Screwdriver

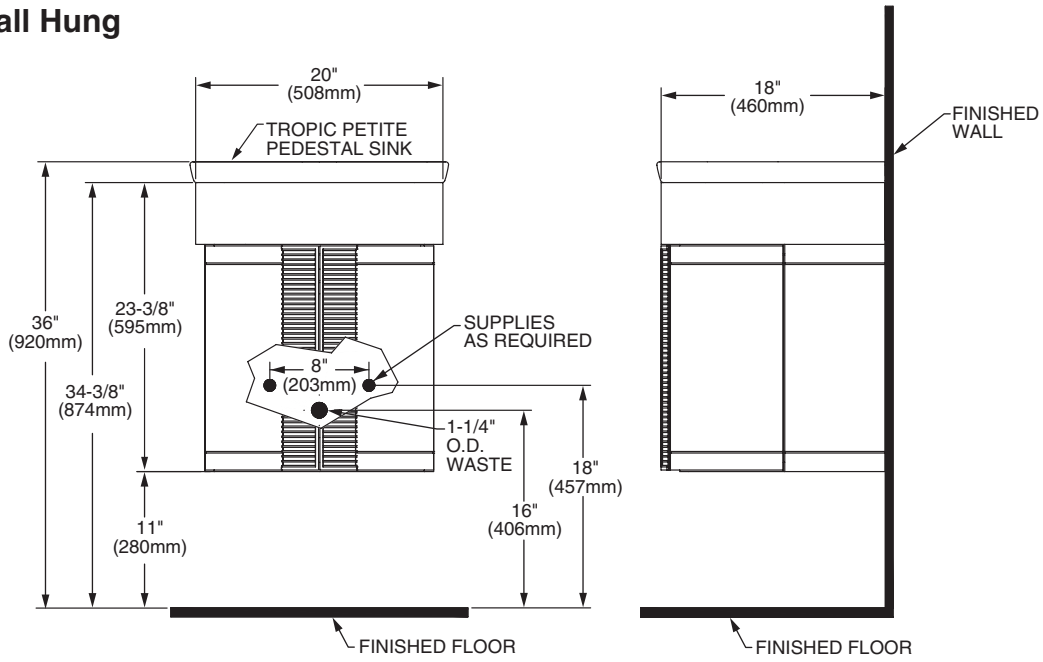


Regular Screwdriver

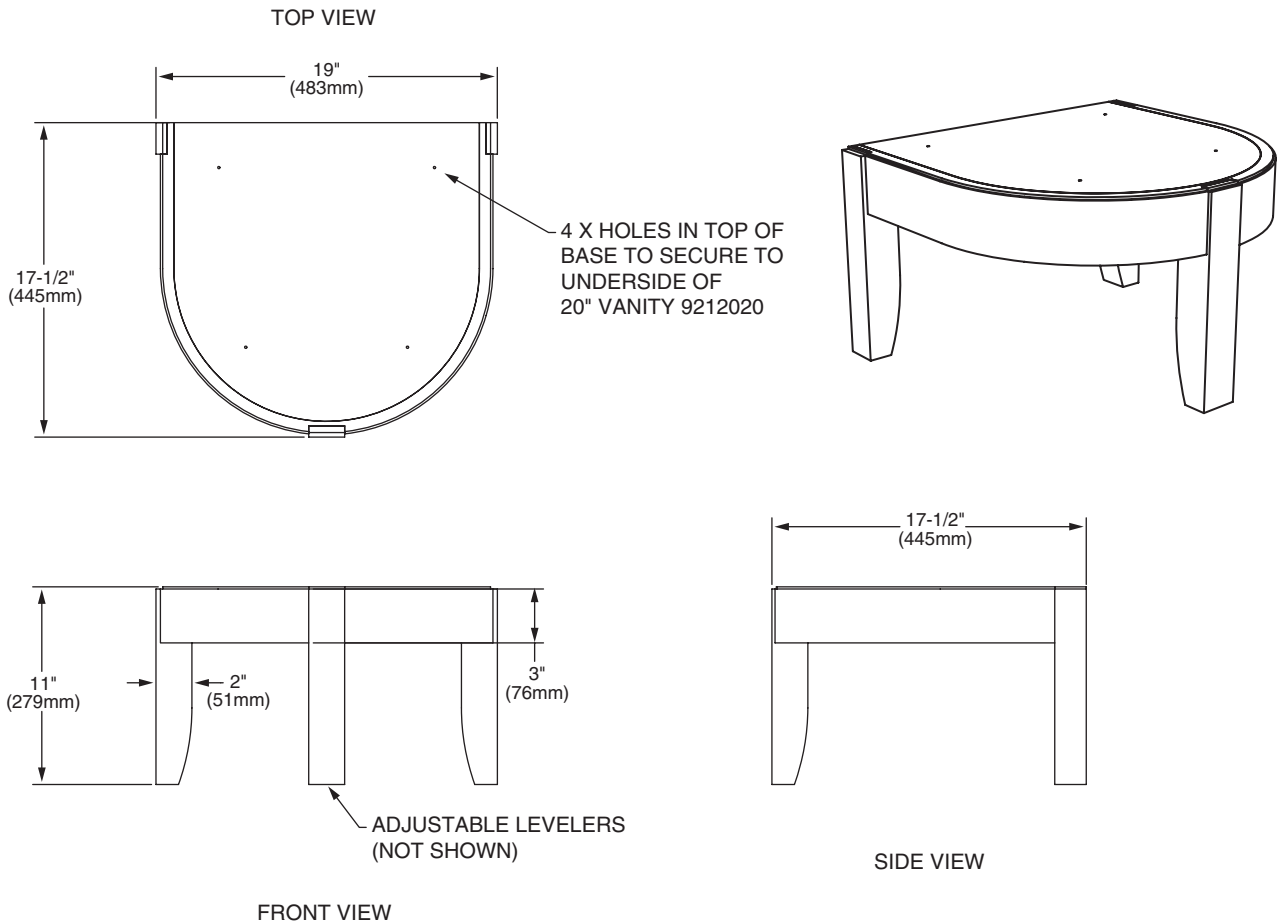


Level

Roughing-in Dimensions 20" Vanity Wall Hung



Roughing-in Dimensions Vanity Base



VANITY INSTALLATION - WALL HUNG VANITY

Unpack Tropic 20" Vanity 9212020 carefully, taking care that bottom of unit does not drop and damage door handles (see *Figure 1.2*).

Provide suitable reinforcement for anchoring the vanity to the wall. Centerline of reinforcement should be 26-1/4" up from the floor (see *Figure 1.1*).

Rough in supply lines and waste per rough-in dimensions (see *Figure 1.1*).

Decorative molding may need to be notched to seat the vanity flush against the wall.

Secure and level the J-Rail (1) to the wall 25-1/4" from the floor to bottom edge of the J-Rail (1) (see *Figure 1.1*). Lift the vanity and hang the Top Rear Stringer of the vanity onto the J-Rail (1).

Drill at least two 3/8" O.D. anchoring holes through the centerline of the Bottom Rear Stringer of the vanity. Anchor the vanity securely to the wall through the Bottom Rear Stringer of the vanity (see *Figure 1.2*).

Continue with installation appropriate for top and sink options chosen.

FIGURE 1.1

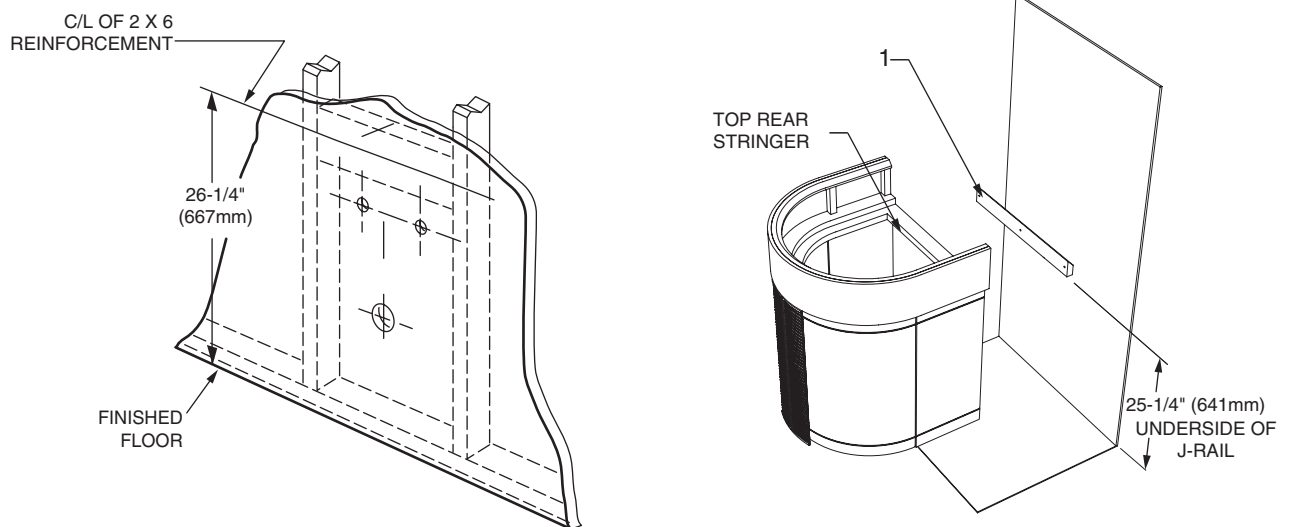
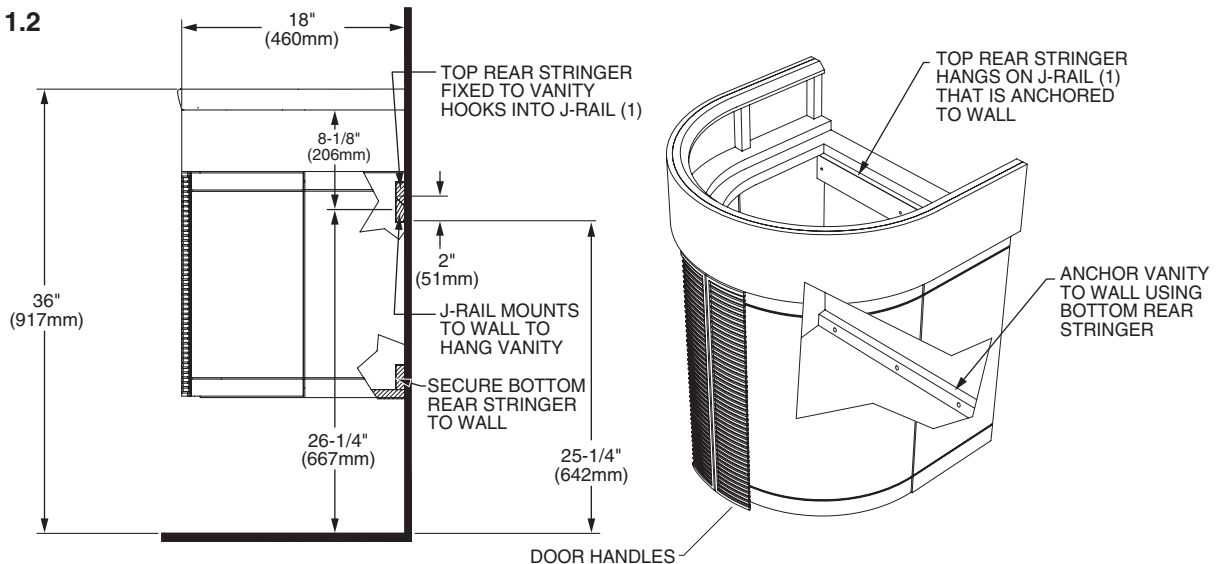


FIGURE 1.2



VANITY INSTALLATION - FLOOR STANDING VANITY

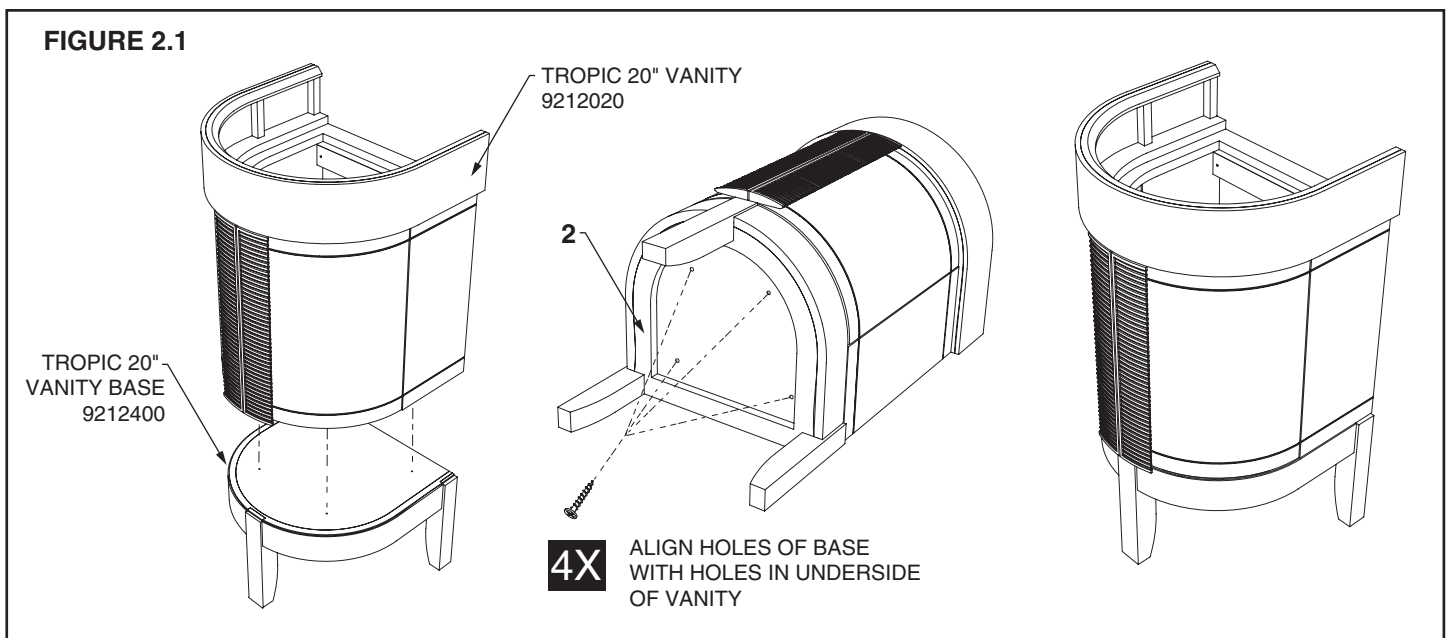
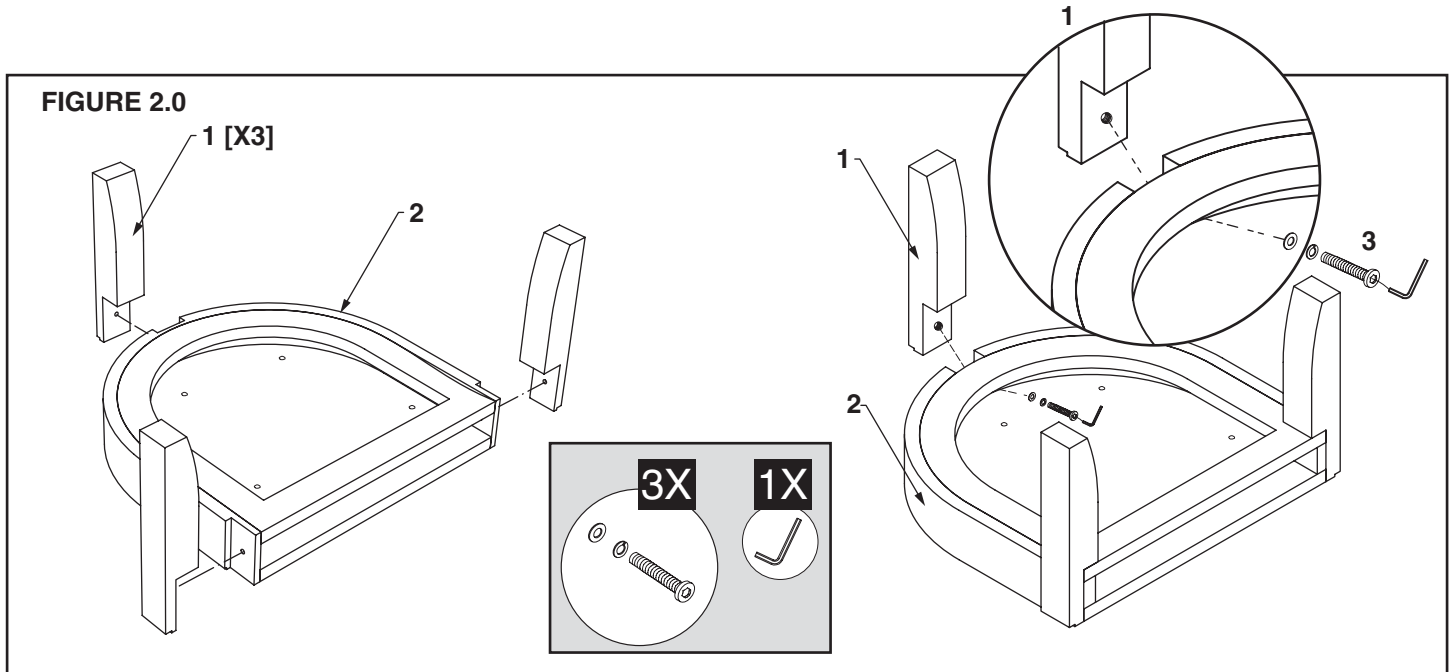
Unpack Tropic 20" Vanity 9212020 carefully, taking care that bottom of unit does not drop and damage door handles.

Unpack Vanity Base 9212400 carefully, taking care that bottom of unit does not drop and damage front legs.

Align holes and attach the Base Legs [1], with the Hex Bolt, washers and Allen Wrench supplied [3], to the Tropic Vanity Base [2] (see Figure 2.0).

Carefully lay the backside of Tropic 20" Vanity onto the floor and prepare to attach the Base [2] to underside of 20" Vanity (see Figure 2.1).

Align holes of Base with holes on underside of 20" Vanity and attach Base using 4x Wood Screws provided.



VANITY INSTALLATION - FLOOR STANDING VANITY (CONTINUED)

Provide suitable reinforcement for anchoring the vanity to the wall. Centerline of reinforcement should be 27-7/8" up from the floor (see Figure 2.2).

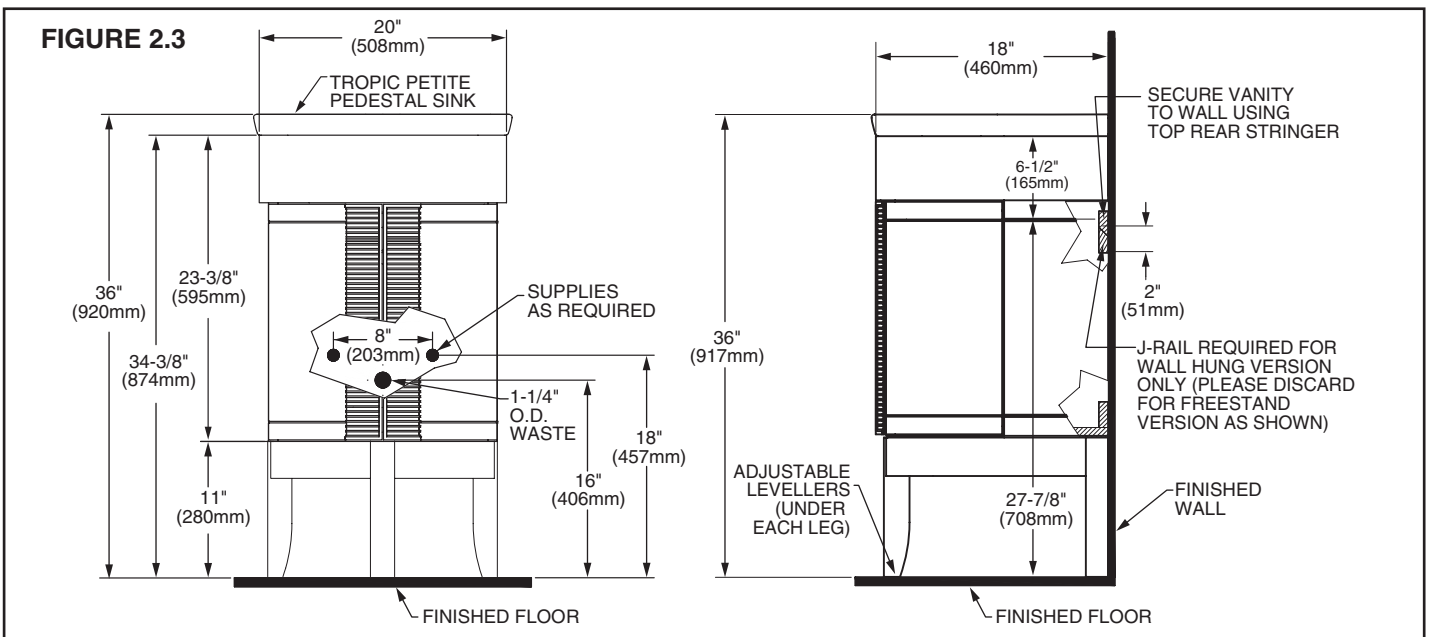
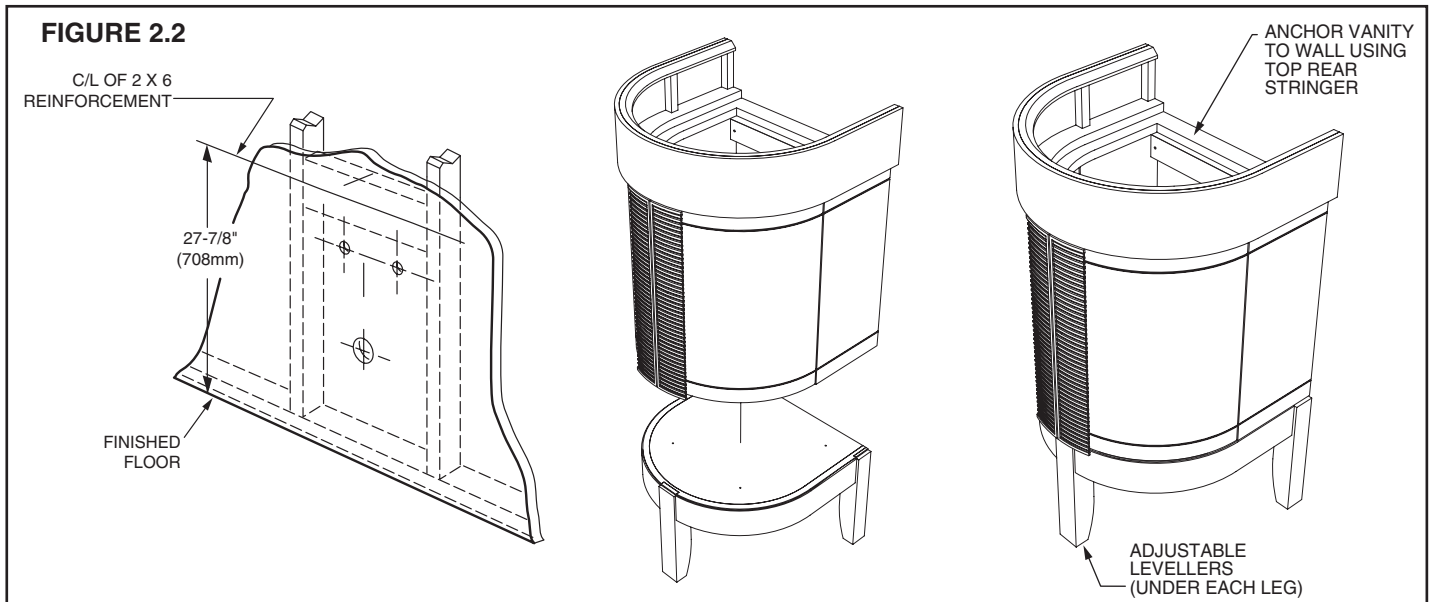
Rough in supply lines and waste per rough-in dimensions (see Figure 2.3).

Decorative molding may need to be notched to seat the vanity flush against the wall.

Move the Tropic 20" Vanity into place and level with the adjustable levellers on the bottom of the feet. The levellers can be adjusted outward up to 1" but it is recommended not to exceed 1/2" if possible.

Drill at least two 3/8" O.D. anchoring holes through the centerline of the Top Rear Stringer of the vanity. Anchor the vanity securely to the wall through the Top Rear Stringer of the vanity (see Figure 2.3).

Continue with installation appropriate for sink and faucet options chosen.



TROPIC PETITE PEDESTAL SINK 0403.004 or 0403.008 INSTALLATION onto VANITY...

Two people recommended for this installation

Mount the drain assembly (not included) on the sink. Be certain to apply a bead of sealing putty on the underside of the drain (Part "A") in order to ensure a watertight seal between the sink and drain. Remove excess putty after installing the drain on the sink.

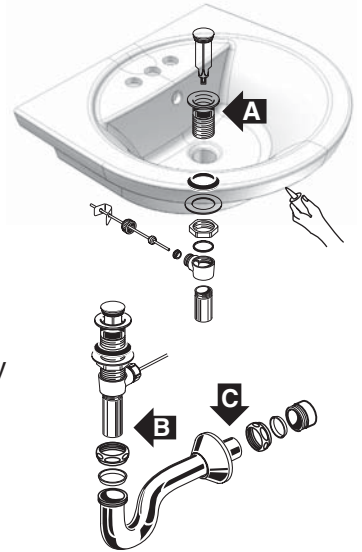
Apply a bead of silicone adhesive to the rim of the vanity. Place the Tropic Petite Pedestal Sink centered left to right on the vanity and with the back edge of the sink even with the rear of the vanity.

If possible, apply a bead of silicone along the top back edge of the sink and the wall. Clean up any excess silicone.

Connect the trap to the drain assembly hand tight to check alignment. It may be necessary to cut off part of the tailpiece (area "B") or part horizontal leg of the trap (area "C").

Install the faucet as per the manufacturer's recommendations.

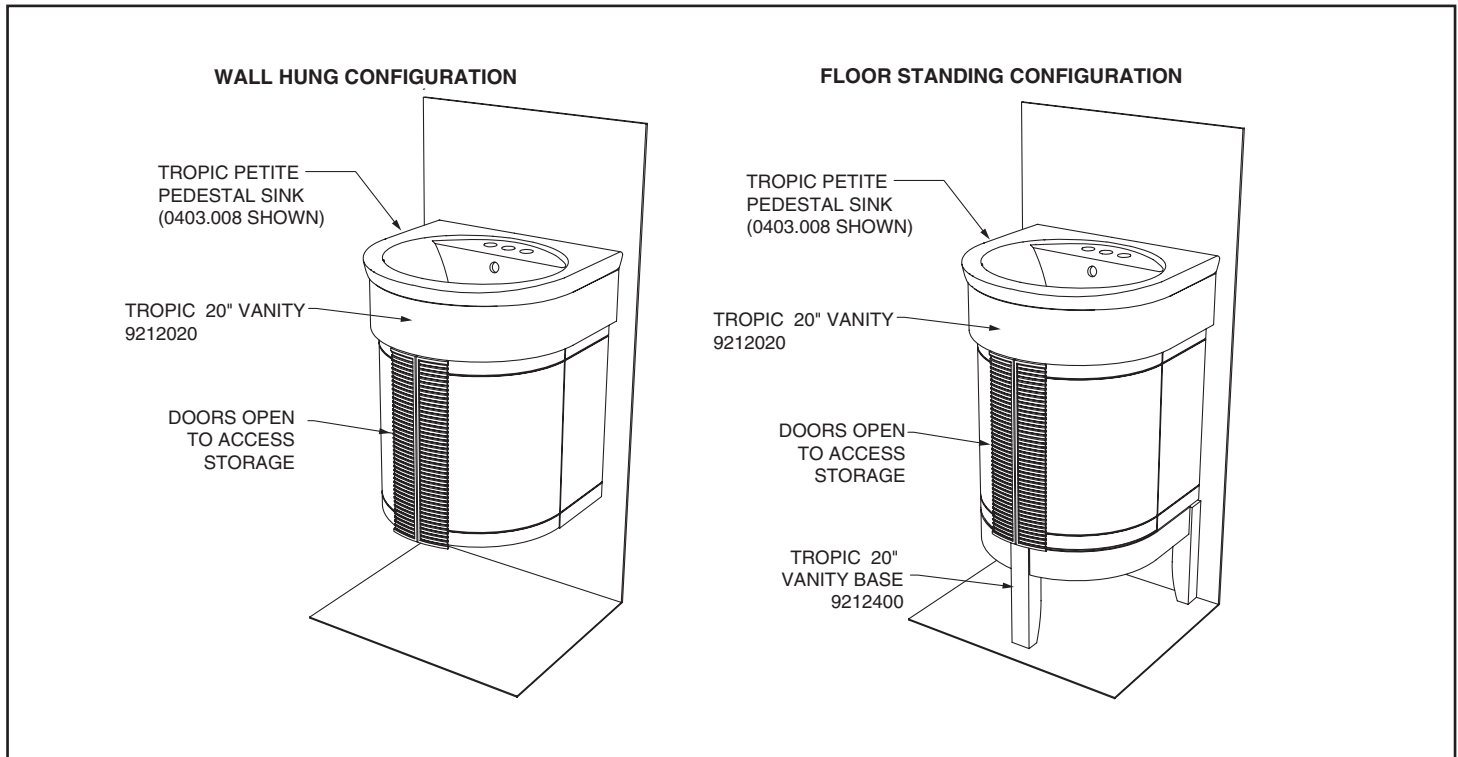
Connect hot and cold supply lines to the shut off valves. Tighten trap joints for watertight assembly.



REPLACEMENT PARTS LIST

9212020 Tropic 20" Vanity | 9212400 Tropic 20" Vanity Base

REPLACEMENT PART NO.	DESCRIPTION
730679-0070A	Threaded Leveler (1 per pack) for Tropic 20" Vanity Base



Care and Cleaning of Vanity

Clean the product by using soft, slightly damp cloth. Buff the product by using a soft dry cloth. Avoid using silicone cleaners and waxes. Clean up excess water and spills immediately. Use a blotting rather than a wiping action. Water left over a long period of time will cause white spots in the finish.

NOTE: Please note that some chemicals may damage the finish. Take care to avoid the following: iodine, hair dye, after shave lotion, shaving cream, alcohol, perfume, Lestoil®, Lysol Tub and Tile Cleaner®, Lysol Spray Disinfectant®, Dow Disinfectant®, acetone, paint remover, Formula 409®, Tile-X®, and Nair®.

Care and Cleaning of the Marble Vanity Top

Marble is porous and easily stained. Wipe off anything spilled on it immediately. It should be washed or cleaned regularly with fresh warm water and a non-abrasive clean cloth. Also, using a non-abrasive, neutral (pH balanced) cleaner will help remove dirt and grime, but it is recommended to first try warm water only.

Marble should be sealed regularly with a good quality marble sealer. Marble sealers are available at most retail home supply stores. Follow the instructions on the sealer container for proper application and frequency of use. The sealer acts as a stain inhibitor and prevents most stains and soil from being absorbed into the porous surface, but it is NOT a guarantee against staining. All spills should be cleaned immediately. Avoid contact with all oils and petroleum-based products. Also, avoid contact with all acid or caustic products such as vinegar, citrus or fruit juices, soda, chlorine, and nail polish remover. If the marble is well sealed, the warm water and non-abrasive cloth should keep it clean.

AS AMERICA, INC. BATH FURNITURE LIMITED WARRANTY

If inspection of this AS America, Inc. ("American Standard") plumbing product, within one year after its initial purchase, confirms that it is defective in materials or workmanship, American Standard will repair or, at its option, exchange the product for a similar model. Variations in actual wood color and finishes which may result from natural characteristics of the wood, such as grain patterns, mineral streaks and the like, are not defects and are not covered by this limited warranty.

This limited warranty applies only to the original purchaser and installation of these products. In the event of a claim, proof of purchase will be required; save your receipt.

This limited warranty does not apply to local building code compliance. Since local building codes vary considerably, the purchaser of this product should check with a local building or plumbing contractor to insure local code compliance before installation.

This limited warranty is void if the product has been moved from its initial place of installation; if it has been subjected to faulty maintenance, abuse, misuse, accident or other damages; if it was not installed in accordance with American Standard's instructions; or if it has been modified in a manner inconsistent with the product as shipped by American Standard.

American Standard's option to repair or exchange the product under this limited warranty does not cover any labor or other costs of removal or installation, nor shall American Standard be responsible for any other incidental or consequential damages attributable to a product defect or to the repair or exchange of a defective product, all of which are expressly excluded from this limited warranty. This limited warranty does not cover any liability for consequential or incidental damages, all of which are hereby expressly disclaimed, or the extension beyond the duration of this limited warranty of any implied limited warranties, including those of merchantability or fitness for an intended purpose. (Some states or provinces do not allow the exclusion or limitation of implied limited warranties, so this exclusion may not apply to you).

This limited warranty gives you specific legal rights. You may have other statutory rights that vary from state to state or province to province, in which case this limited warranty does not affect such statutory rights.

AS AMERICA, INC. MARBLE/GRANITE VANITY/TABLE TOP LIMITED WARRANTY

If inspection of this AS America, Inc. ("American Standard") plumbing product, within one year after its initial purchase, confirms that it is defective in materials or workmanship, American Standard will repair or, at its option, exchange the product for a similar model. Variations in shading, veining, and texture which may result from natural characteristics of stone and as such are not defects and are not covered by this limited warranty.

This limited warranty applies only to the original purchaser and installation of these products. In the event of a claim, proof of purchase will be required; save your receipt.

This limited warranty does not apply to local building code compliance. Since local building codes vary considerably, the purchaser of this product should check with a local building or plumbing contractor to insure local code compliance before installation.

This limited warranty is void if the product has been moved from its initial place of installation; if it has been subjected to faulty maintenance, abuse, misuse, accident or other damages; if it was not installed in accordance with American Standard's instructions; or if it has been modified in a manner inconsistent with the product as shipped by American Standard.

American Standard's option to repair or exchange the product under this limited warranty does not cover any labor or other costs of removal or installation, nor shall American Standard be responsible for any other incidental or consequential damages attributable to a product defect or to the repair or exchange of a defective product, all of which are expressly excluded from this limited warranty. This limited warranty does not cover any liability for consequential or incidental damages, all of which are hereby expressly disclaimed, or the extension beyond the duration of this limited warranty of any implied limited warranties, including those of merchantability or fitness for an intended purpose. (Some states or provinces do not allow the exclusion or limitation of implied limited warranties, so this exclusion may not apply to you).

This limited warranty gives you specific legal rights. You may have other statutory rights that vary from state to state or province to province, in which case this limited warranty does not affect such statutory rights.

For service under these limited warranties, it is suggested that a claim be made through the contractor or dealer from or through whom the product was purchased, or that a service request (including a description of the product model and of the defect) be sent to the following address:

In the United States:

American Standard Brands
P.O. Box 6820
Piscataway, New Jersey 08855
Attention: Director of Consumer Affairs

For residents of the United States, warranty information may also be obtained by calling the following toll free number: (800) 442-1902
www.americanstandard-us.com

In Canada:

AS Canada ULC
2480 Stanfield Rd.
Mississauga, Ontario
Canada L4Y 1S2

Toll Free: (800) 387-0369
www.americanstandard.ca

In Mexico:

Customer Service Manager
AS Maquila, S.A. de C.V.
Via Morelos #330
Col. Santa Clara
Ecatepec 55540 Edo. Mexico
www.americanstandard.com.mx