

**STUDIO ABOVE-COUNTER
RECTANGULAR SINK**

0621.001

- Contemporary above-countertop rectangular sink design
- Integral faucet deck for single hole faucet (2064.101 ONE lavatory faucet shown - not supplied)
- Rear overflow
- Fits most standard 22" vanities; separate vanity top not required (9250.024 Studio 22" Vanity recommended - not supplied)



Nominal Dimensions:

23-1/8" x 18-1/2" x 4-1/8"
(565 x 470 x 105mm)

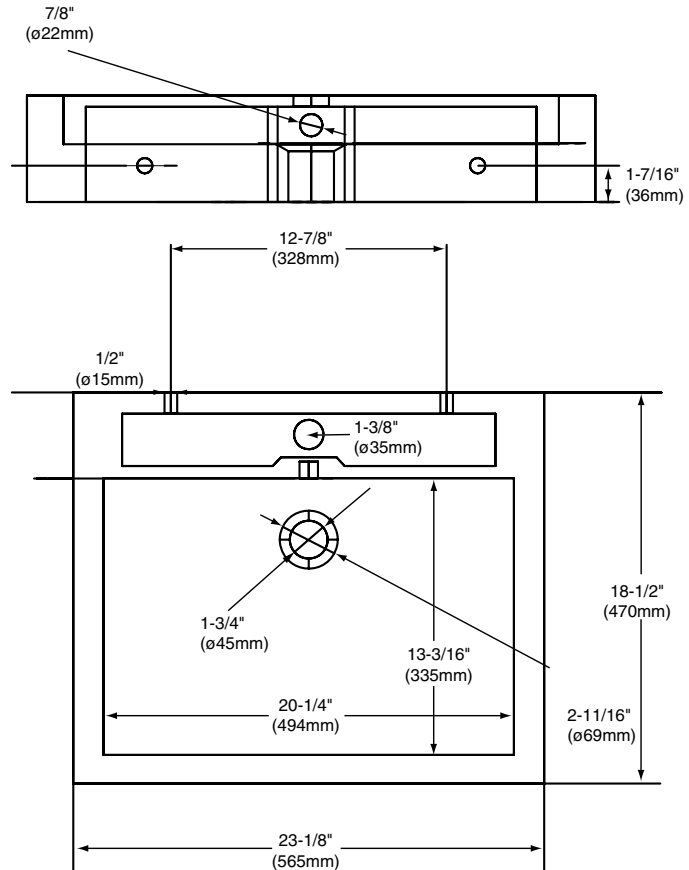
Bowl sizes:

20-1/4" x 13-3/16" x 2"
(494 x 335 x 51mm)

Compliance Certifications -

Meets or Exceeds the Following Specifications:

- ASME A112.19.2M for Vitreous China Fixtures



To Be Specified (Recommended):

- Vanity Base: Studio 22" Vanity 9205.024 or 22" vanity by others
- Faucet*: 2064.101 ONE lavatory faucet
- Faucet Finish: Polished Chrome (002)
- Supplies:
- 1-1/4" Trap:

* See faucet section for additional models available

NOTES:
* DIMENSIONS SHOWN FOR LOCATION OF SUPPLIES AND "P" TRAP ARE SUGGESTED. FITTINGS NOT INCLUDED WITH FIXTURE AND MUST BE ORDERED SEPARATELY. FOR COUNTERTOP CUTOUT AND INSTALLATION INSTRUCTIONS USE TEMPLATE SUPPLIED WITH SINK.

IMPORTANT: Dimensions of fixtures are nominal and may vary within the range of tolerances established by ANSI Standard A112.19.9M. These measurements are subject to change or cancellation. No responsibility is assumed for use of superseded or voided pages.