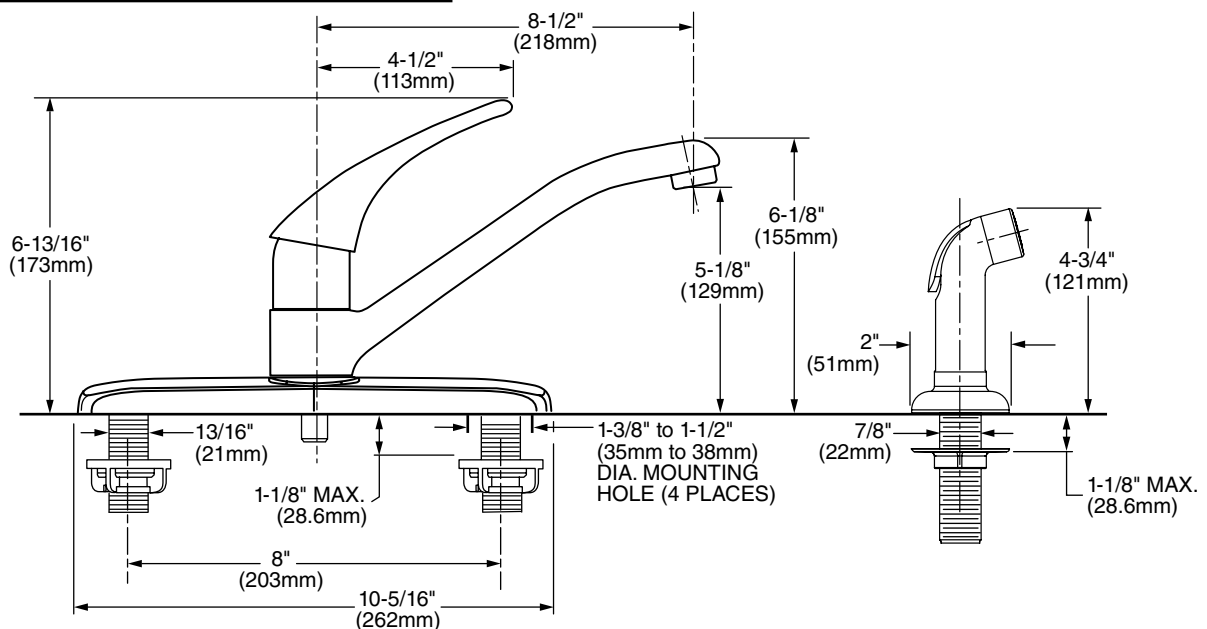


MODEL NUMBER:

- 8411F Kitchen Faucet**
Metal Lever Handle. Separate Handspray.
Polished Chrome finish.
- 8411SSF Kitchen Faucet**
Metal Lever Handle. Separate Handspray.
Stainless Steel (PVD) finish.



GENERAL DESCRIPTION:

Cast Brass 8-1/2" (218mm) long swivel spout. Metal lever handle. Washerless 40mm ceramic disc valve cartridge. Cast brass waterway with 1/2" male inlet shanks. Metal escutcheon plate (escutcheon size 10-5/16"L x 2-3/8"W). 2.2gpm/8.3L/min. maximum flow rate.

PRODUCT FEATURES:

Ceramic Disc Valve Cartridge: Assures a lifetime of smooth handle operation and drip-free performance.

Cast Brass Waterways with "City Shanks": Strong and durable. Integral tabs on casting provide a wobble-free installation.

Low Lead: Meets NSF Standard 61/Section 9 & Prop 65 lead requirements.

Memory Position Valving: Allows user to turn valve on and off at preferred temperature setting without readjusting handle position each time.

Large "Comfort Zone": Allows easy fine tuning of temperature.

Simple Installation: Fast and easy one person installation. Faucet drops in from top. Quick spin nuts secure faucet in place.

Lifetime Warranty: On Function and Finish.

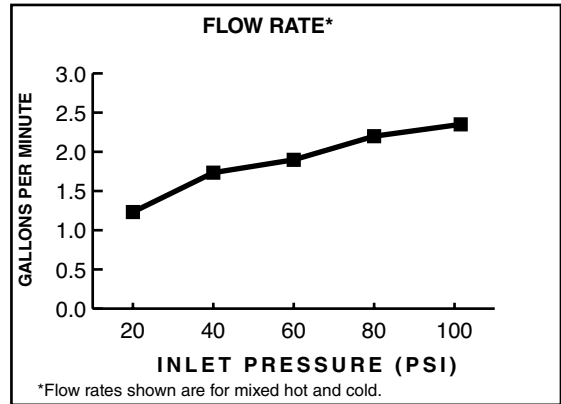
SUGGESTED SPECIFICATION:

Single control kitchen faucet shall feature cast brass waterway. Shall also feature washerless 40mm ceramic disc valve cartridge. Cast brass swivel spout. Fitting shall be American Standard Model # 8411__.


CODES AND STANDARDS

These products meet or exceed the following codes and standards:

- ANSI A117.1**
- ASME A112.18.1**
- CSA B125**
- NSF 61/Section 9**



Product Number	Description
8411F	Kitchen faucet. Separate Color-Matched Handspray. Polished Chrome finish.
8411SSF	Kitchen faucet. Separate Color-Matched Handspray. Stainless Steel (PVD) finish.

 Meets the American Disabilities Act Guidelines and **ANSI A117.1** Requirements for the physically challenged.