

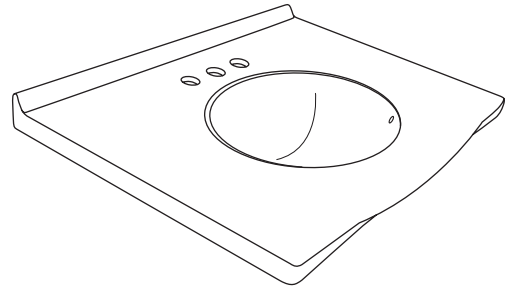
## ASSEMBLY & INSTALLATION INSTRUCTIONS

### Newbern Vanity Top™ 7820.400

#### Fits most 30" X 21" Vanity Bases

Thank you for selecting our products...products which have been the benchmarks of fine quality for over 100 years. To help insure that the installation process will proceed smoothly, please read these instructions carefully before you begin. Also, review the recommended tools and materials list; carefully unpack and examine your new plumbing fixture.

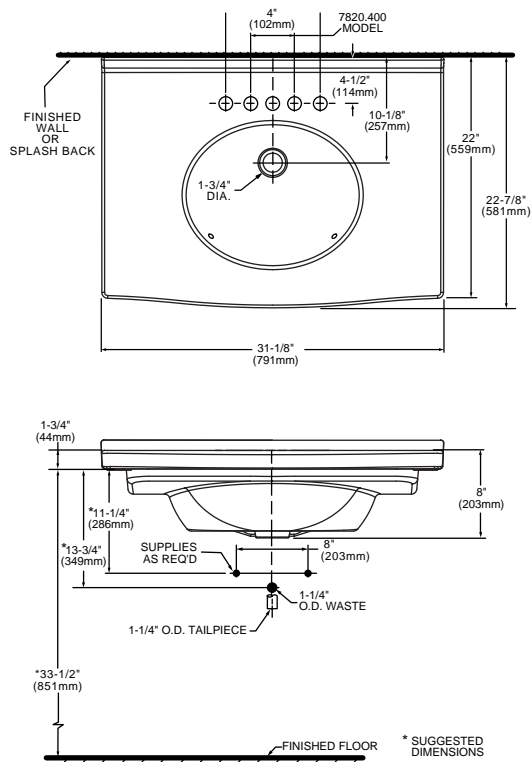
To maintain the beauty of the finish, avoid placing the furniture in direct sunlight, as sunlight causes fading. Also avoid extreme changes in temperature by arranging furniture away from radiators, heat and air vents, and air conditioning units. Avoid placing furniture directly under windows.



#### Recommended Tools & Materials

Basin Wrench	Tubing Cutter	Channel Locks	Tape Measure	Plumbers' Putty	Level
Adjustable Wrench	Putty Knife	Pipe Wrench		Silicone Caulk	

#### Roughing-in Dimensions



#### Vanity Installation

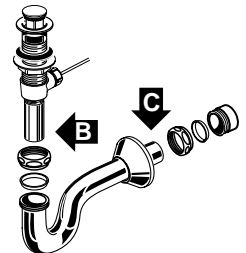
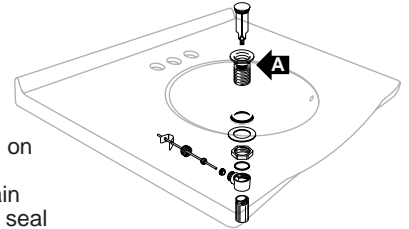
##### Two people recommended for this installation

Mount the drain assembly (not included) on the sink. Be certain to apply a bead of sealing putty on the underside of the drain (Part "A") in order to ensure a watertight seal between the sink and drain. Remove excess putty after installing the drain on the sink.

Apply a bead of silicone adhesive to the rim of the vanity. Place the top centered left to right on the vanity and with the back edge of the top even with the rear of the vanity. Apply a bead of silicone along the top back edge of the vanity top and the wall. Clean up any excess silicone.

Connect the trap to the drain assembly hand tight to check alignment. It may be necessary to cut off part of the tailpiece (area "B") or part horizontal leg of the trap (area "C").

Connect hot and cold supply lines to the shut off valves. Tighten trap joints for watertight assembly.



#### CARE AND CLEANING

When cleaning your vanity top, wash it with mild, soapy water, rinse thoroughly with clear water and dry with a soft cloth. Avoid abrasive detergents, disinfectants, or cleaning products in aerosol cans.

#### AMERICAN STANDARD ONE-YEAR LIMITED WARRANTY

If inspection of this American Standard plumbing product, within one year after its initial purchase, confirms that it is defective in materials or workmanship, American Standard will repair or, at its option, exchange the product for a similar model.

This warranty **does not apply** to local building code compliance. Since local building codes vary considerably, the purchaser of this product should check with a local building or plumbing contractor to insure local code compliance before installation.

This warranty **shall be void** if the product has been moved from its initial place of installation; if it has been subjected to faulty maintenance, abuse, misuse, accident or other damage; if it was not installed in accordance with American Standard's instructions; or if it has been modified in a manner inconsistent with the product as shipped by American Standard.

American Standard's option to repair or exchange the product under this warranty does not cover any labor or other costs of removal or installation, **nor shall American Standard be responsible for any other incidental or consequential damages attributable to a product defect or to the repair or exchange of a defective product, all of which are expressly excluded from this warranty.** (Some states or provinces do not allow the exclusion or limitation of implied warranties, so this exclusion may not apply to you.)

This warranty gives you specific legal rights. You may have other statutory rights that vary from state to state or from province to province, in which case this warranty does not affect such statutory rights.

For service under this warranty, it is suggested that a claim be made through the contractor or dealer from or through whom the product was purchased, or that a service request (including a description of the product model and of the defect) be sent to the following address:

**In the United States:**  
American Standard Inc.  
P.O. Box 6820  
Piscataway, New Jersey 08855  
Attention: Director of Consumer Affairs

**In Canada:**  
American Standard  
2480 Stanfield Rd.  
Mississauga, Ontario  
Canada L4Y 1S2

**In Mexico:**  
Customer Service Manager  
Ideal Standard, S.A. de C.V.  
Via Morelos #330  
Col. Santa Clara  
Ecatepec 55540 Edo. Mexico

For residents of the United States, warranty information may also be obtained by calling the following toll free number: (800) 442-1902

Toll Free: (800) 387-0369