

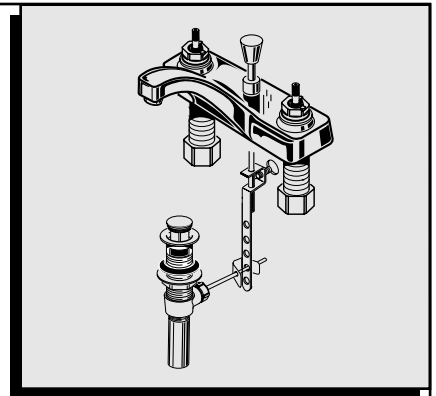
American Standard

HERITAGE
AMARILIS

**HERITAGE SERIES
4" CENTERSET LAVATORY
AND BAR SINK FAUCETS**

Installation Instructions

**5400 SERIES
5401 SERIES
5402 SERIES
7400 SERIES
7401 SERIES
7402 SERIES
7490 SERIES**



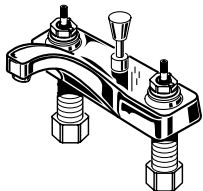
Certified to comply with ANSI A112.18.1M
U.S. PATENT NOS. 4,294,289

Thank you for selecting American-Standard...the benchmark of fine quality for over 100 years.

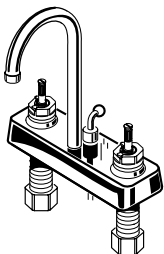
To ensure that your installation proceeds smoothly--please read these instructions carefully before you begin.

34063M-A

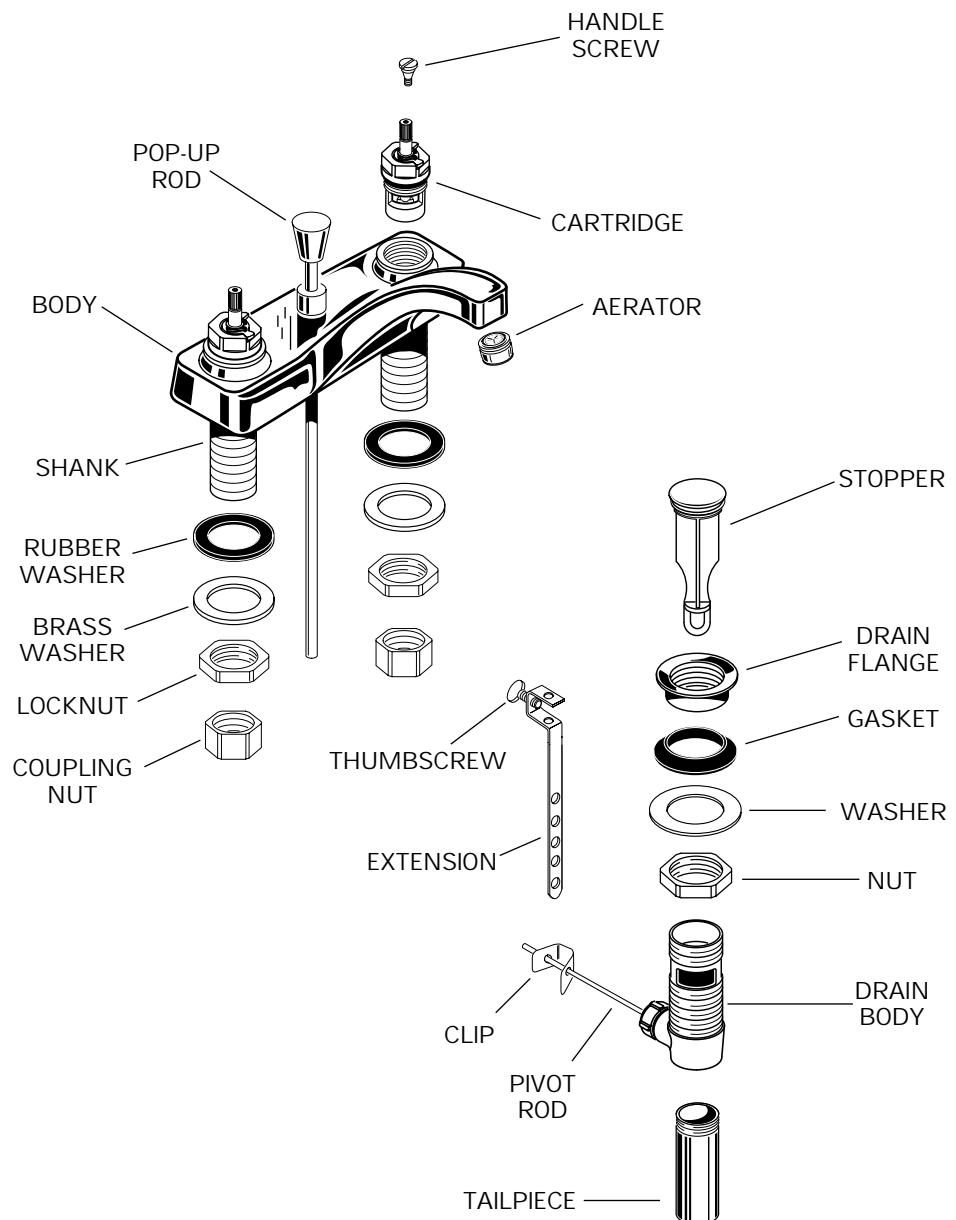
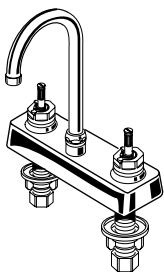
5401 SERIES
CENTERSET
W/POP-UP



7401 SERIES
CENTERSET WITH
GOOSENECK SPOUT



7490 SERIES
BAR SINK WITH
SWING SPOUT

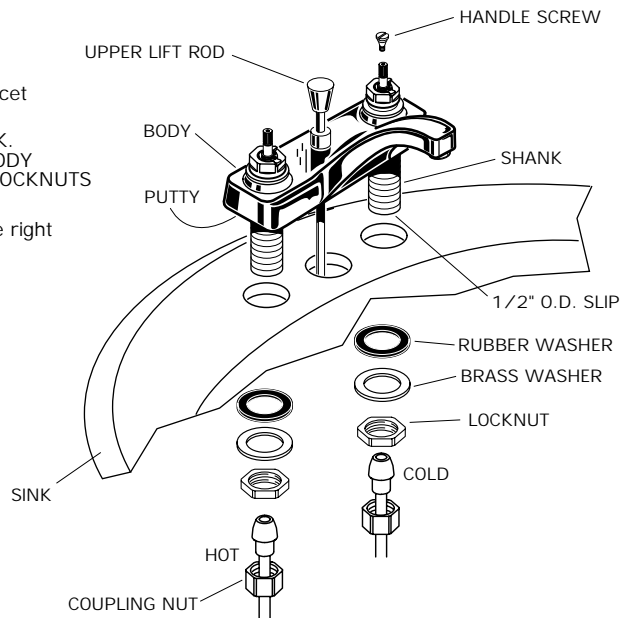


1

CAUTION

Turn off hot and cold water supplies before beginning.

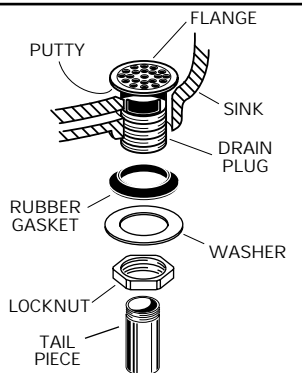
- Apply a bead of PUTTY along the edge of the underside of the BODY and insert faucet SHANKS through holes of SINK.
- Assemble RUBBER and BRASS WASHERS, and LOCKNUTS from underside of SINK. Drop UPPER LIFT ROD through hole in BODY (models 5401 & 7401 only), align BODY as far forward as possible and secure position by tightening LOCKNUTS. (Plastic LOCKNUTS on model 7490 are tightened by hand.)
- Connect the HOT water supply to the left SHANK and the COLD water supply to the right SHANK using sealant, appropriate connectors, and COUPLING NUTS.
- Refer to separate "Instruction Sheet" for assembly of handles.



2

DRAIN ASSEMBLY (Models 5402 and 7402 only)

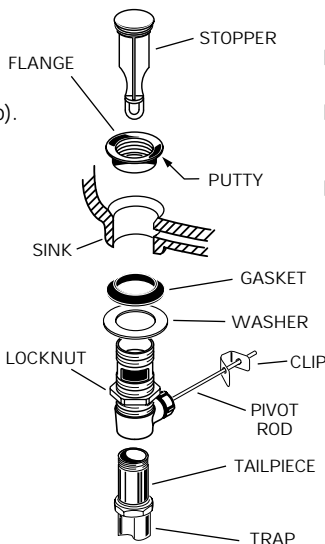
- Apply a bead of PUTTY around underside of DRAIN PLUG flange. Insert DRAIN PLUG into SINK drain hole.
- Hold DRAIN PLUG to prevent turning and assemble GASKET, WASHER, and LOCKNUT, from underneath sink.
- Insert threaded end of TAILPIECE into lower end of DRAIN PLUG. Connect other end to trap.



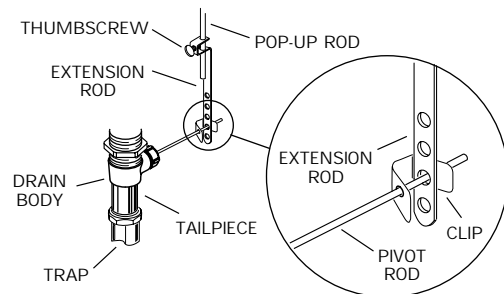
3

INSTALL POP-UP DRAIN (Models 5401 and 7401 only)

- Push TAILPIECE down into TRAP (threaded end up).
- Thread LOCKNUT, WASHER and GASKET onto DRAIN BODY.
- Apply a bead of PUTTY to underside of FLANGE.
- Feed DRAIN BODY up through SINK and thread FLANGE fully onto BODY.
- Tighten LOCKNUT firmly, keeping the PIVOT ROD pointed towards the back of the SINK.
- Drop STOPPER into DRAIN BODY.
- Pull TAILPIECE up and thread tightly into DRAIN BODY.
- Position EXTENSION ROD onto POP-UP ROD and tighten THUMBSCREW.



- Remove one end of CLIP from PIVOT ROD by squeezing ends together while sliding.
- Insert PIVOT ROD into second or third hole in EXTENSION and reassemble CLIP. (EXTENSION may need to be bent.)
- Adjust STOPPER height by repositioning EXTENSION and tightening THUMBSCREW.



4

TEST INSTALLED FAUCET

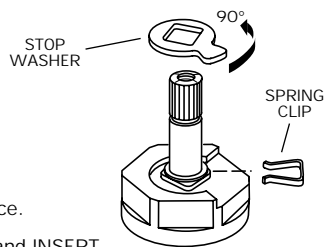
- Remove AERATOR.
- With handle in OFF position, turn on water supplies and check all connections for leaks.

- Operate both handles to flush water lines thoroughly. Check spout mounting and hose connections for leaks.
- Operate LIFT ROD and check DRAIN for leaks.
- Turn handles into OFF position and replace AERATOR.

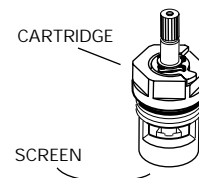
5

SERVICE

- To change direction of handle rotation, proceed as follows:
 - Turn valve to OFF position.
 - Remove INSERT and HANDLE SCREW.
 - Slip HANDLE with ADAPTER off.
 - Remove SPRING CLIP.
 - Lift STOP WASHER, turn 90° and replace.
 - Replace SPRING CLIP.
 - Replace ADAPTER, HANDLE, SCREW, and INSERT.
- AERATOR may accumulate dirt causing distorted and reduced water flow. Remove AERATOR and rinse clean.



- If spout drips, operate handles several times from OFF to ON position. Do not force - handles turn only 90°.
- Plastic SCREEN in CARTRIDGE may accumulate dirt causing reduced water flow. To clean, first turn off hot and cold water supplies, then:
 - Remove INSERT and HANDLE SCREW.
 - Slip HANDLE with ADAPTER off.
 - Unscrew CARTRIDGE with wrench.
 - Thoroughly rinse plastic SCREEN at base of CARTRIDGE.
 - Replace CARTRIDGE until flange is tight against valve body.
 - Turn valves OFF.
 - Replace ADAPTER, HANDLE, SCREW, and INSERT.



HOTLINE FOR HELP

For toll-free information and answers to your questions, call:
1 (800) 223-0068
Weekdays 8:00 a.m. to 4:00 p.m. Eastern Time

Product names listed herein are trademarks of American Standard Inc.
©American Standard Inc. 1995

34063M-A