

7005.201



M962596-YYY0A
HANDLE



M908588-YYY0A
HANDLE BASE



A912666-0070A
O-RING



M918432-0070A
HANDLE SCREW



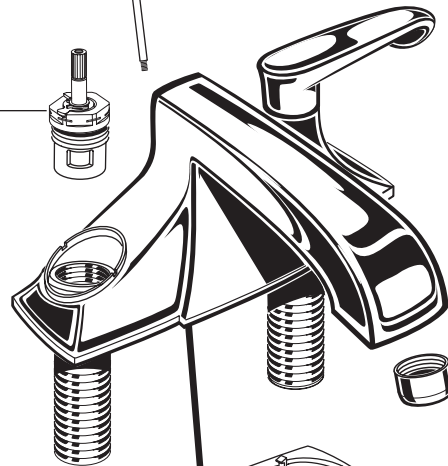
M918024-0070A
ADAPTER



M962597-YYY0A
LIFT ROD AND KNOB



994053-0070A
VALVE



M922880-YYY0A
AERATOR



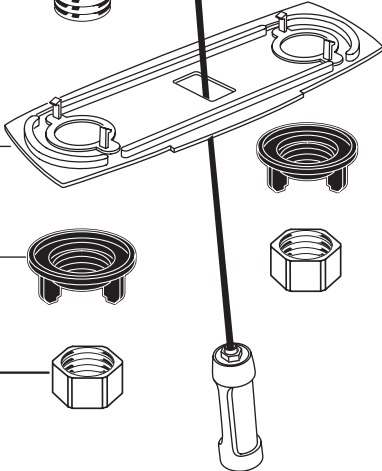
M910816-0070A
PUTTY PLATE



065800-0070A
ATTACHMENT NUT



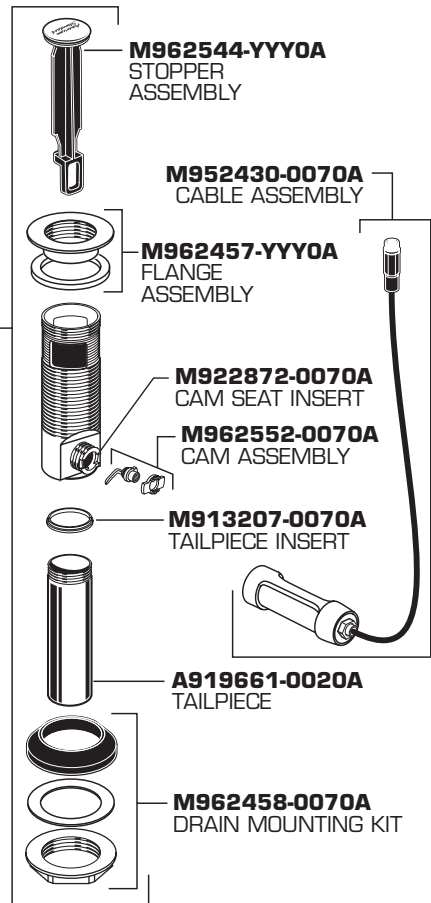
024220-0070A
SUPPLY NUT



M952425-YYY0A
DRAIN ASSEMBLY



M919660-0020A
6" TAILPIECE
(NOT INCLUDED
WITH FAUCET)



M962544-YYY0A
STOPPER
ASSEMBLY

M952430-0070A
CABLE ASSEMBLY

M962457-YYY0A
FLANGE
ASSEMBLY

M922872-0070A
CAM SEAT INSERT

M962552-0070A
CAM ASSEMBLY

M913207-0070A
TAILPIECE INSERT

A919661-0020A
TAILPIECE

M962458-0070A
DRAIN MOUNTING KIT

Replace the "YYY" with appropriate finish code

CHROME	002
SATIN NICKEL	295
OIL RUBBED BRONZE	224



HOT LINE FOR HELP
 For toll-free information and answers to your questions, call:
 1 (800) 442-1902
 Weekdays 8:00 a.m. to 6:00 p.m. EST
 IN CANADA 1-800-387-0369 (TORONTO 1-905-306-1093)
 Weekdays 8:00 a.m. to 7:00 p.m. EST
 IN MEXICO 01-800-839-1200

Product names listed herein are trademarks of American Standard Inc.
 © American Standard Inc. 2007