

American Standard

MONTERREY™

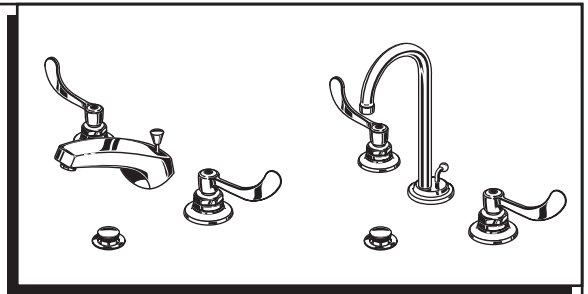
SPREAD LAVATORY FAUCETS

*Thank you for selecting American-Standard...
the benchmark of fine quality for over 100 years.*

*To ensure that your installation proceeds smoothly—
please read these instructions carefully before you begin.*

Installation Instructions

6500 6530
6501 6531
6502 6532

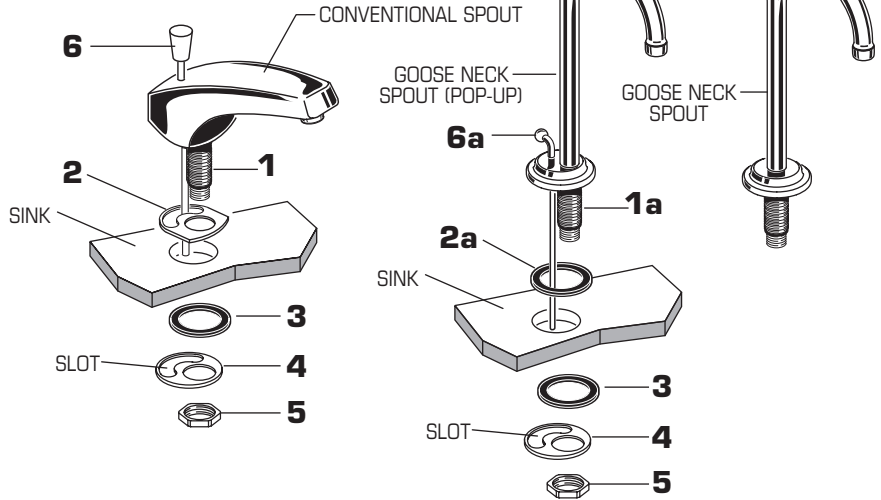


Certified to comply with ANSI A112.18.1M
60186 Rev. 1.2

1 CAUTION Turn off water at main supply.

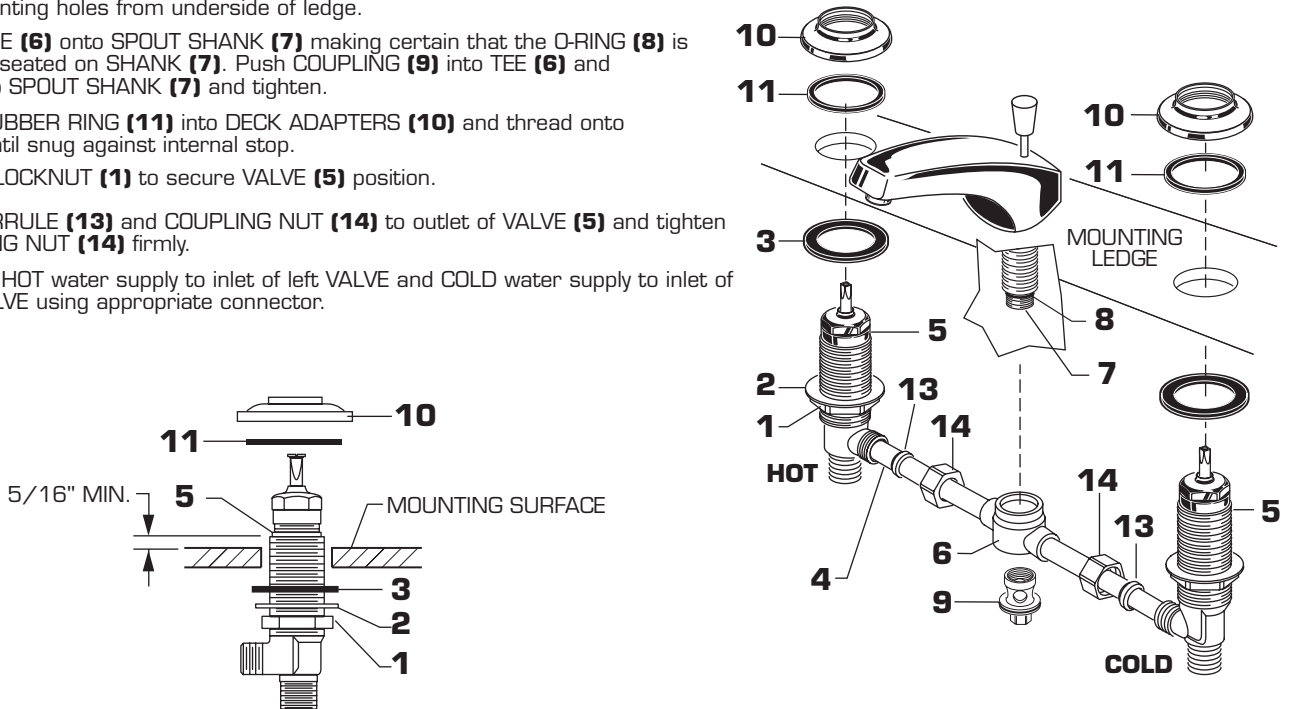
CONVENTIONAL OR GN SPOUT ASSEMBLY

- Insert SPOUT SHANK (1, 1a) through center hole of SINK, making sure RUBBER GASKET (2, 2a) is properly positioned.
- Assemble RUBBER WASHER (3), RETAINER (4) and LOCKNUT (5) onto threads of SPOUT SHANK (1, 1a) from underside of SINK.
- Align SPOUT and tighten LOCKNUT (5). Be sure slot in BRASS WASHER (4) is positioned to the rear as shown.
- Insert LIFT ROD (6, 6a) through SPOUT and slot of BRASS WASHER (4).



2 VALVE ASSEMBLY

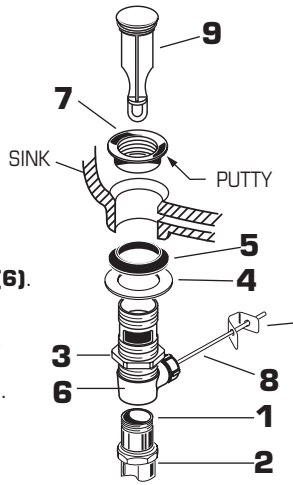
- Install LOCKNUTS (1), BRASS WASHERS (2) and RUBBER WASHERS (3) onto valve shanks.
- Push TUBING (4) ends into VALVE (5) side outlets. Insert VALVES (5) into mounting holes from underside of ledge.
- Press TEE (6) onto SPOUT SHANK (7) making certain that the O-RING (8) is properly seated on SHANK (7). Push COUPLING (9) into TEE (6) and attach to SPOUT SHANK (7) and tighten.
- Place RUBBER RING (11) into DECK ADAPTERS (10) and thread onto valves until snug against internal stop.
- Tighten LOCKNUT (1) to secure VALVE (5) position.
- Slide FERRULE (13) and COUPLING NUT (14) to outlet of VALVE (5) and tighten COUPLING NUT (14) firmly.
- Connect HOT water supply to inlet of left VALVE and COLD water supply to inlet of right VALVE using appropriate connector.



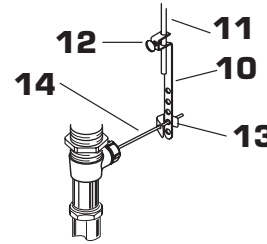
3

DRAIN INSTALLATION (Models 6801 and 6831 only)

- Push TAILPIECE (1) down into TRAP (2) (threaded end up).
- Thread LOCKNUT (3), WASHER (4) and GASKET (5) onto DRAIN BODY (6).
- Apply a bead of PUTTY to underside of FLANGE (7).
- Feed DRAIN BODY (6) up through SINK and thread FLANGE (7) fully onto BODY (6).
- Tighten LOCKNUT (3) firmly, keeping the PIVOT ROD (8) pointed towards the back of the SINK.
- Drop STOPPER (9) into DRAIN BODY (6).
- Pull TAILPIECE (1) up and thread tightly into DRAIN BODY (6).



- Position EXTENSION ROD (10) onto POP-UP ROD (11) and tighten THUMBSCREW (12).
- Remove one end of CLIP (13) from PIVOT ROD (11) by squeezing ends together while sliding.
- Insert PIVOT ROD (14) into second or third hole in EXTENSION (10) and reassemble CLIP (13). (EXTENSION (10) may need to be bent.)

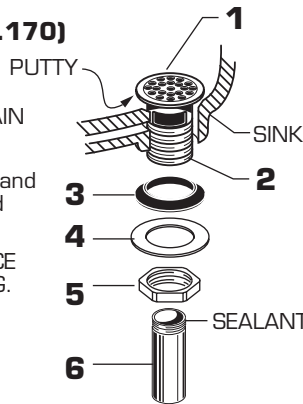


- Adjust STOPPER (9) height by repositioning EXTENSION (10) and tightening THUMBSCREW (12).

4

DRAIN ASSEMBLY (6542.140/.170)

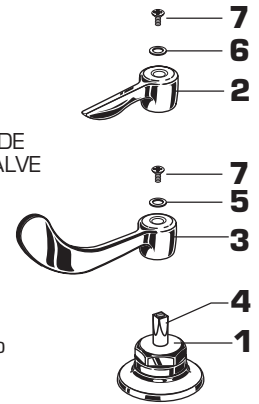
- Apply a bead of PUTTY around underside of DRAIN FLANGE (1) flange. Insert DRAIN PLUG (2) into SINK drain hole.
- Hold DRAIN PLUG (2) to prevent turning and assemble GASKET (3), WASHER (4), and LOCKNUT (5) from underneath sink.
- Apply sealant to threaded end of TAILPIECE and thread into lower end of DRAIN PLUG. Connect other end to trap.



5

INSTALL HANDLES

- Turn VALVES (1) to off position.
- Align LEVER (2) or WRIST BLADE HANDLE (3) and install onto VALVE STEM (4).
- Insert BLUE INDEX (5) into cold valve (right side) and red INDEX (6) into hot valve (left side).
- Insert HANDLE SCREW (7) into HANDLES and tighten with screwdriver.



6

TEST INSTALLED FAUCET

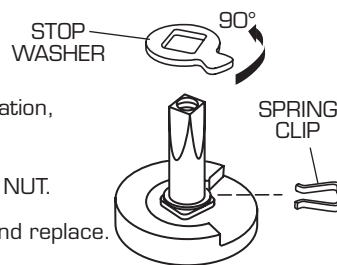
- Remove AERATOR.
- With handle in OFF position, turn on water supplies and check all connections for leaks.
- Operate both handles to flush water lines thoroughly. Check spout mounting and TEE connections for leaks.
- Turn handles into OFF position and replace AERATOR.



7

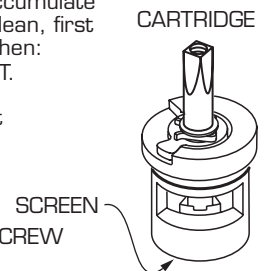
SERVICE

- To change direction of handle rotation, proceed as follows:
 - Turn valve to OFF position.
 - Remove HANDLE and BONNET NUT.
 - Remove SPRING CLIP.
 - Lift STOP WASHER, turn 90° and replace.
 - Replace SPRING CLIP.
 - Replace BONNET NUT, HANDLE, SCREW, and INDEX.
- AERATOR may accumulate dirt causing distorted and reduced water flow. Remove AERATOR and rinse clean.



- If spout drips, operate handles several times from OFF to ON position. Do not force - handles turn only 90°.

- Plastic SCREEN in CARTRIDGE may accumulate dirt causing reduced water flow. To clean, first turn off hot and cold water supplies, then:
 - Remove HANDLE and BONNET NUT.
 - Remove CARTRIDGE by pulling up.
 - Thoroughly rinse plastic SCREEN at base of CARTRIDGE.
 - Replace CARTRIDGE until flange is tight against valve body.
 - Turn valves OFF.
 - Replace BONNET NUT, HANDLE, SCREW and INDEX.



CARE INSTRUCTIONS:

DO: SIMPLY RINSE THE PRODUCT CLEAN WITH CLEAR WATER. DRY WITH A SOFT COTTON FLANNEL CLOTH.
DO NOT: DO NOT CLEAN THE PRODUCT WITH SOAPS, ACID, POLISH, ABRASIVES, HARSH CLEANERS, OR A CLOTH WITH A COARSE SURFACE.