



GENERAL DESCRIPTION:

Exposed, Battery Powered, Sensor Operated Selectronic™ Water Closet Flush Valve for floor-mounted or wall-hung 1-1/2" top spud bowls.

Inlet includes 1" I.P.S. angle stop with back-flow protection, vandal-resistant cap, sweat solder kit, cover tube and wall flange.

Outlet includes 1-1/2" vacuum breaker with adjustable tailpiece, spud coupling and flange.

PRODUCT FEATURES:

- Electronic flush valve with Selectronic® proximity system for hygienic "Hands Free" operation
- Self-cleaning piston with integral wiper spring helps prevent clogging and reduces maintenance
- Piston operation delivers superior flush accuracy and repeatability
- Positive seal ensures leak-free performance
- Fully Mechanical Manual Override - allows valve to flush during a power failure
- Fail-Safe Operation - valve automatically closes, and does not need to be reset, on loss of power or water pressure
- Adjustable Sanitary Flush - valve automatically flushes after 24 hours of non-use to clean fixture & maintain trap seal
- Sensor & electronic controls are fully enclosed and water resistant
- Range can be adjusted manually or with optional remote control
- Chemical resistant EPDM seals are unaffected by chloramines
- Factory-installed CR-P2 lithium battery
- No external volume adjustment
- Adjustable tailpiece
- Can be installed left or right-handed
- ADA Compliant

MODEL NUMBER:

- ❑ **6065.161.002** Flush Valve for 11-1/2" Supply C\L to top of bowl, 1.6 gpf
- ❑ **6065.162.002** Flush Valve for 27" Supply C\L to top of bowl, 1.6 gpf
- ❑ **6065.565.002** Retrofit for Existing Flush Valves, 1.6 gpf. Replaces industry standard manual and electronic valves. Does not include the vacuum breaker assembly, angle stop or sweat solder kit.

OPERATING PRESSURE:

Overall Range: 20-125 psi**

Recommended: 25 psi (flowing)-80 psi (static)

FLOW REQUIREMENT:

25gpm (94.6 L/min.)

** Water pressure over 80 psi is not recommended for most plumbing fixtures.

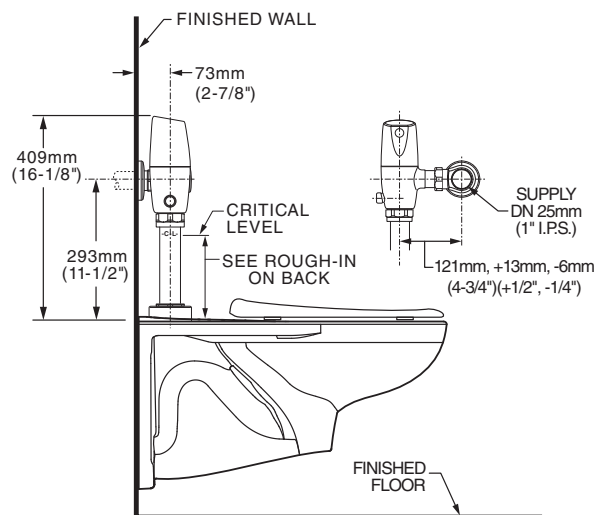
BATTERY LIFE:

200,000 cycles (4 years @ 4000 cycles per month)

ACCESSORIES:

- Cast wall flanges (1" & 1-1/2")
- Solid ring pipe supports (2-1/2" & 6" C-E)
- Split ring pipe supports (2-1/2" & 6" C-E)

**TYPICAL WATER CLOSET INSTALLATION:
AFWALL™ TOILET SHOWN**



MEETS THE AMERICANS WITH DISABILITIES ACT GUIDELINES AND ANSI A117.1 REQUIREMENTS FOR ACCESSIBLE AND USABLE BUILDING FACILITIES-CHECK LOCAL CODES

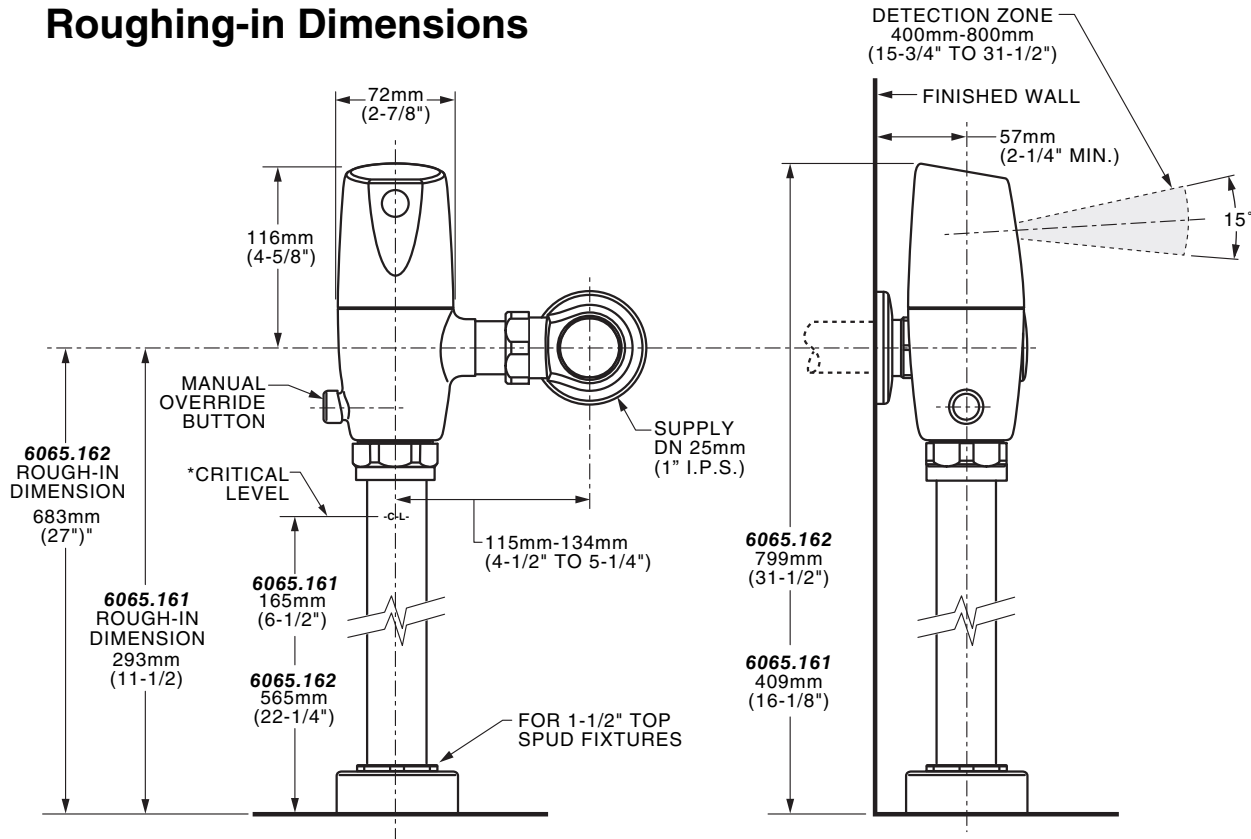
RECOMMENDED SPECIFICATION:

Electronic proximity infrared sensor activated toilet flush valve shall feature self-cleaning piston valve with integral wiper spring in refill orifice to prevent clogging. Includes a fully mechanical manual over-ride that can provide a complete flush without battery power. Includes cast brass valve body and metal cover with chrome finish, vandal resistant stop cap and lithium battery. Angle stop with back-flow protection and vacuum breaker included. 1.6 gpf / 6.0 Lpf. Flush valve shall be American Standard Model # 6065.16_.002, 6065.565.002.

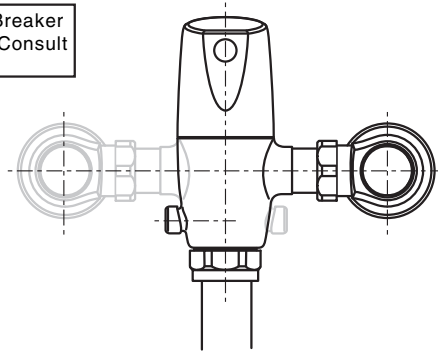
LISTINGS:

- ASSE 1037
- ANSI/ASME A112.19.2
- ADA Compliant

Roughing-in Dimensions



*Note: The Critical Line (-C-L-) on Vacuum Breaker must typically be 6" (152mm) above fixture. Consult Codes for details.



Right or Left Hand Installation

 MEETS THE AMERICANS WITH DISABILITIES ACT GUIDELINES AND ANSI A117.1 REQUIREMENTS FOR ACCESSIBLE AND USABLE BUILDING FACILITIES-CHECK LOCAL CODES