

DAZZLE

Mini Spread Lavatory Faucet with Speed Connect Drain*

Congratulations on purchasing your American Standard faucet with Speed Connect drain, a feature found only on American Standard faucets.

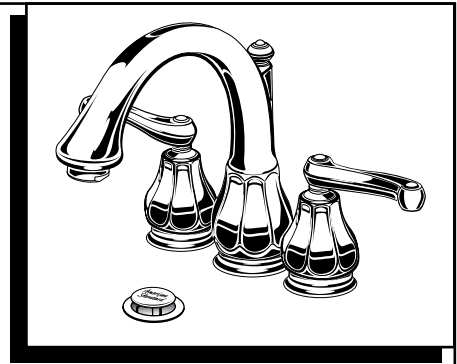
Speed Connect Drain*

- 1/3 of the parts, installs in 1/3 of the time
- No tools needed
- Never needs adjustment
- Guaranteed to seal properly the first time, every time.

*Your new American Standard faucet is designed to work only with the Speed Connect drain. Helpful tips for removing your current drain can be found in the Troubleshooting section of these instructions.

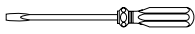
To ensure that your installation proceeds smoothly-please read these instructions carefully before you begin.

Installation Instructions 6028.240



Certified to comply with ANSI A112.18.1
M968491 Rev. 1.2

Recommended tools



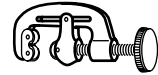
Screwdriver



Channel Locks



Adjustable Wrench

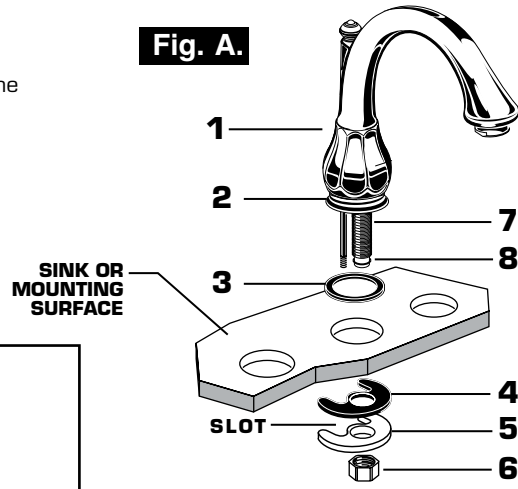


Tubing Cutter

1 INSTALL FAUCET

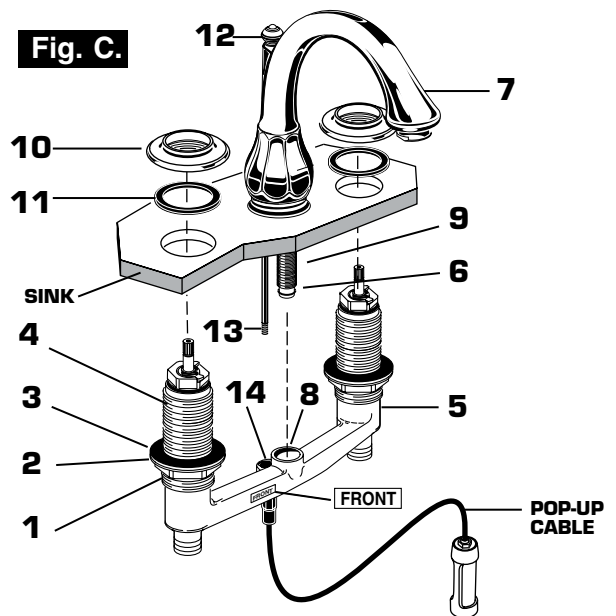
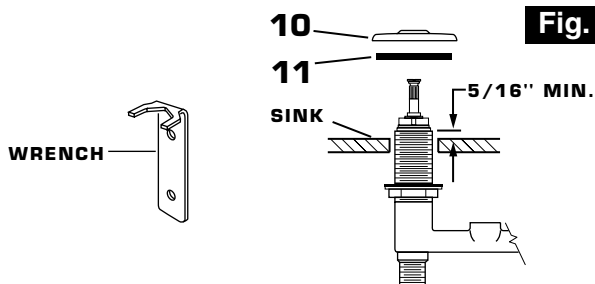
CAUTION Turn off hot and cold water supplies before beginning.

- Insert SPOUT (1) through center hole of mounting surface, making sure the SPOUT ESCUTCHEON (2) and SEAL WASHER (3) are properly seated.
- Assemble RUBBER WASHER (4), BRASS WASHER (5) and LOCKNUT (6) onto SPOUT SHANK (7) from under side of sink. Make sure SPOUT (1) is centered in the sink hole, the slot in the BRASS WASHER (5) is in back and the O-RING (8) is seated at the end of SHANK (7).
- Tighten LOCKNUT (6) on SPOUT (1) firmly. Fig. A.



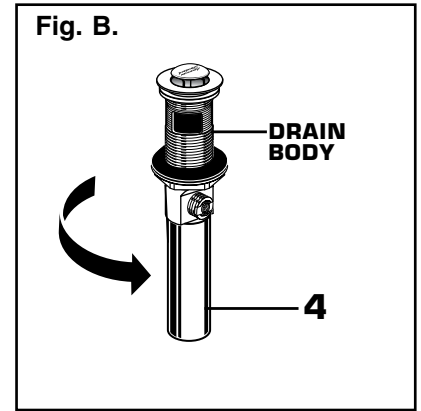
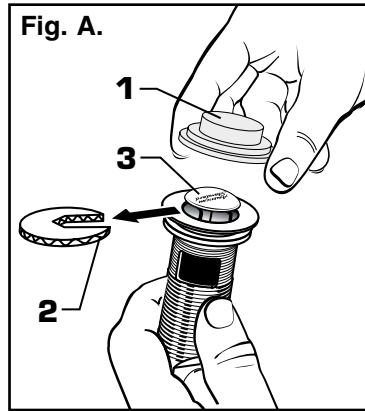
1a INSTALL VALVE BODY

- Install the valve LOCKNUT (1), FRICTION WASHER (2) and RUBBER WASHER (3) onto the two VALVE SHANKS (4) if not already installed. The LABEL indicating the front of the fitting faces the front of the sink.
- Insert VALVE BODY (5) through holes from under side of SINK. Threads of both VALVE SHANKS (4) should extend at least 5/16 inch above SINK top. Fig. B. Be sure SHANK (9) and O-RING (6) of SPOUT (7) is pushed into TEE (8) section of the VALVE BODY (5). Fig. C.
- Install ESCUTCHEONS (10) with RUBBER RINGS (11) and screw ESCUTCHEONS (10) onto VALVE SHANKS (4) until snug against internal stop. Adjust LOCKNUTS (1) downward if necessary.
- Tighten LOCKNUTS (1) on VALVE SHANKS (4) firmly to secure fitting.
- Drop LIFT ROD (12) through hole in SPOUT (7) and thread ROD END (13) into the TAB (14) in the VALVE BODY (5). Fig. C.



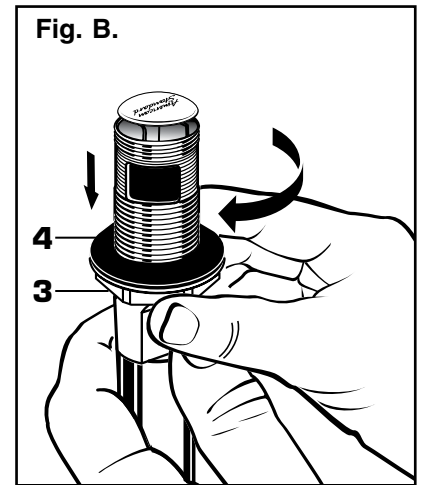
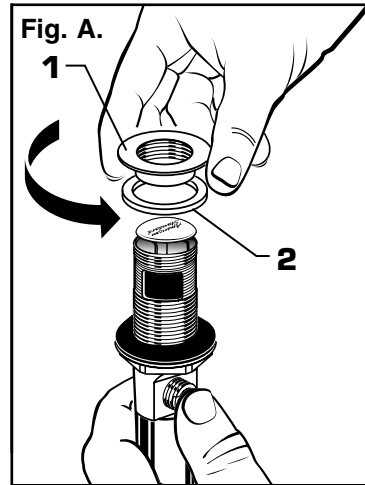
2 POP-UP DRAIN

- Remove CLEAR PLASTIC COVER (1).
- Remove CARDBOARD SPACER (2) from under DRAIN POP-UP (3).
- Tighten TAILPIECE (4) on DRAIN BODY before installing DRAIN BODY. Fig. B.



3 REMOVE FLANGE

- Thread FLANGE (1) counter-clockwise and remove FLANGE (1) and FOAM GASKET (2) from drain body. Fig. A.
- Thread LOCKNUT (3) clock-wise to bottom of drain body. Push GASKET (4) down against LOCKNUT (3). Fig. B.

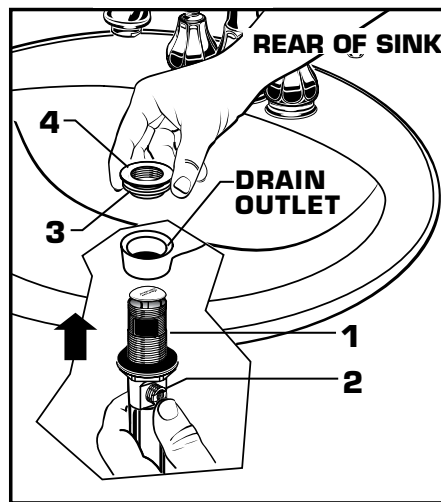


4 INSTALL DRAIN FROM BELOW FIXTURE

- From under side of SINK install DRAIN BODY (1) up through drain outlet.

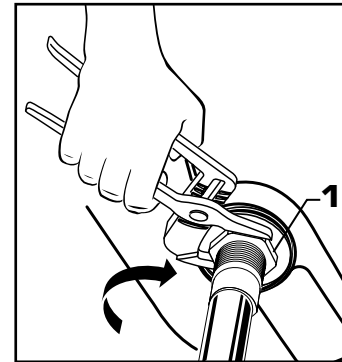
Note: No plumber's putty or caulk is required. The CABLE ATTACHMENT POINT (2) must face towards the rear of the SINK.

- Install FOAM GASKET (3) and FLANGE (4) onto drain body from above SINK and tighten FLANGE (4) firmly.



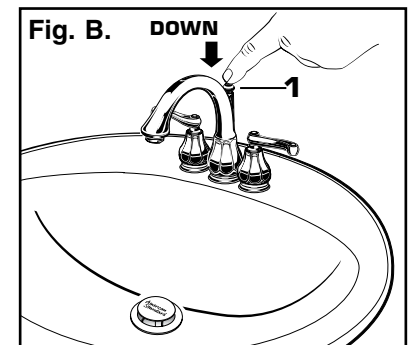
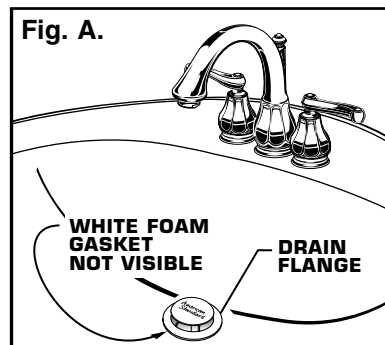
5 TIGHTEN LOCKNUT

- Tighten LOCKNUT (1) firmly with Adjustable Wrench or Channel Locks.



6 FLANGE GASKET AND POP-UP KNOB

- Check DRAIN FLANGE in SINK to ensure that WHITE FOAM GASKET (3) is fully compressed and not visible. Fig. A.
- POP-UP KNOB (1) must be fully down. Fig. B.

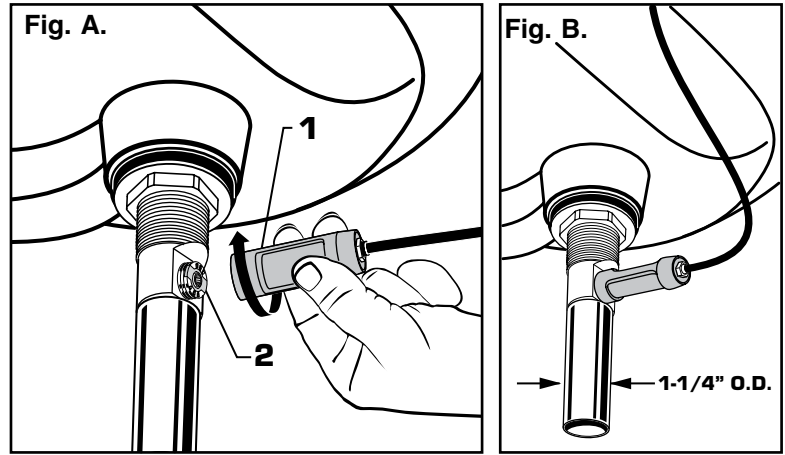


7 ATTACH CABLE CONNECTOR

- Thread CABLE CONNECTOR (1) clockwise onto DRAIN BODY CONNECTION (2) and hand tighten. **Fig. A.**

Your new POP-UP DRAIN installation is now complete. **Fig. B.**

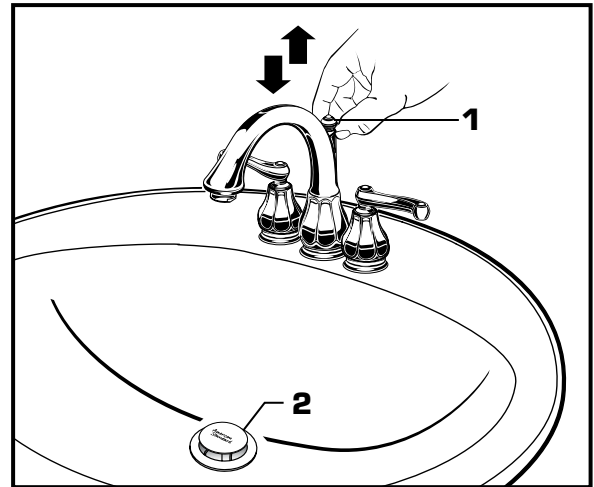
Note: Tailpiece on pop-up drain is 1-1/4" O.D. **Fig. B.**



8 CHECK OPERATION OF POP-UP

- Operate LIFT KNOB (1) to verify that STOPPER (2) opens and closes.

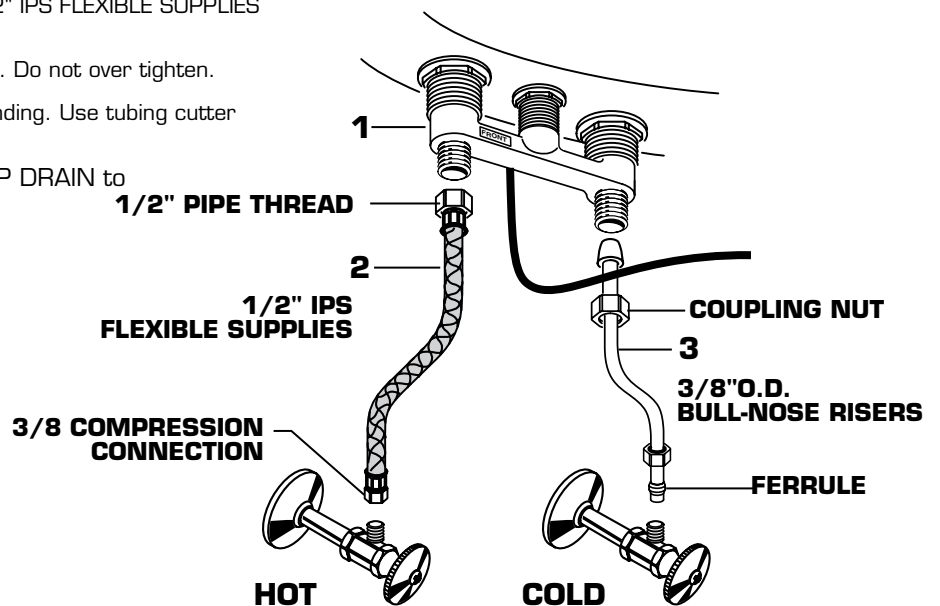
Note: If STOPPER (2) does not open and close properly then refer to the "troubleshooting section" of these instructions.



9 MAKE WATER SUPPLY AND WASTE CONNECTIONS

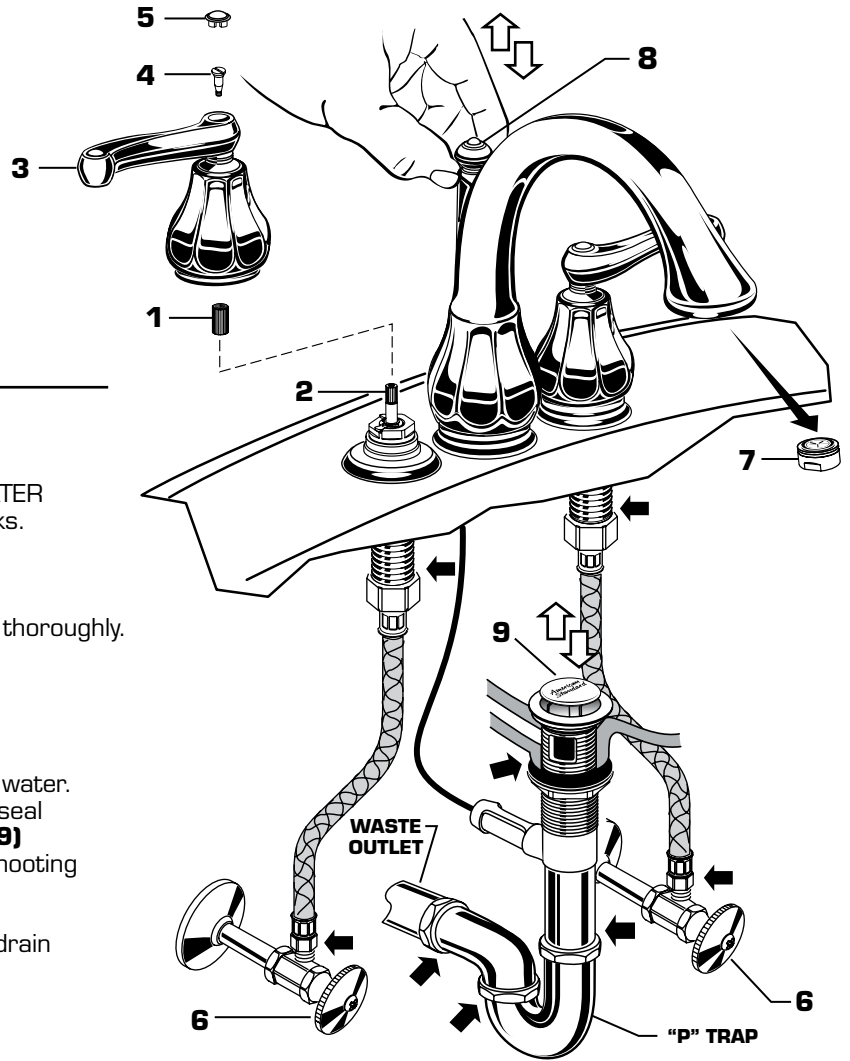
NOTE: FLEXIBLE SUPPLIES OR BULL-NOSE RISERS NOT INCLUDED AND MUST BE PURCHASED SEPARATELY.

- Connect water supply to FAUCET (1) with 1/2" IPS FLEXIBLE SUPPLIES (3) or 3/8" O.D. BULL-NOSE RISERS (4).
- Use adjustable wrench to tighten connections. Do not over tighten.
- Be careful not to kink copper supply when bending. Use tubing cutter to cut to proper length.
- Connect 1-1/4" O.D. tailpiece on POP-UP DRAIN to waste outlet.



10 INSTALL HANDLES

- Turn VALVE into OFF position.
- Push ADAPTER (1) into VALVE STEM (2).
- Align HANDLE (3) and install onto ADAPTER (1).
- Install HANDLE SCREW (4) and tighten to secure HANDLE (3).
- Insert INDEX BUTTON (5).



10a TEST INSTALLED FITTING

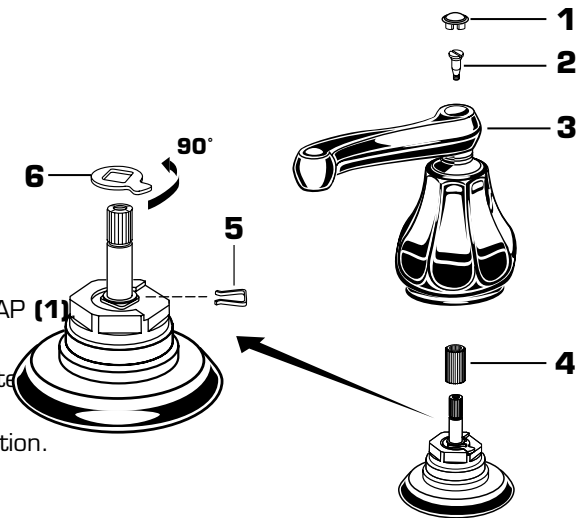
- With HANDLES (3) in OFF position, turn on WATER SUPPLIES (6) and check all connections for leaks.
- Remove AERATOR (7).
- Operate both HANDLES (3) to flush water lines thoroughly.
- Replace AERATOR (7).

CHECK DRAIN CONNECTIONS

- Operate POP-UP KNOB (8) and fill lavatory with water. Check that DRAIN STOPPER (9) makes a good seal and retains water in SINK. If DRAIN STOPPER (9) does not seal properly, please refer to Troubleshooting section in these instructions.
- Release POP-UP KNOB (8) down and check all drain connections and "P" trap for leaks. Tighten if necessary.

11 SERVICE

- To change direction of handle rotation, proceed as follows:
 - Turn valve to OFF position.
 - Pull out INDEX CAP (1) and remove HANDLE SCREW (2).
 - Pull off HANDLE (3) and ADAPTER (4).
 - Remove SPRING CLIP (5).
 - Lift STOP WASHER (6), turn 90° and replace.
 - Replace SPRING CLIP (5).
 - Replace ADAPTER (4), HANDLE (3), SCREW (2), and INDEX CAP (1).
- AERATOR may accumulate dirt causing distorted and reduced water flow. Remove AERATOR and rinse clean.
- If spout drips, operate handles several times from OFF to ON position. Do not force - handles turn only 90°.



12 CARE INSTRUCTIONS:

- DO: SIMPLY RINSE THE PRODUCT CLEAN WITH CLEAR WATER. DRY WITH A SOFT COTTON FLANNEL CLOTH.**
- DO NOT: DO NOT CLEAN THE PRODUCT WITH SOAPS, ACID, POLISH, ABRASIVES, HARSH CLEANERS, OR A CLOTH WITH A COARSE SURFACE.**

Speed Connect™ Drain Troubleshooting Guide

If sink does not hold water even though Stopper is in the “down” position:

- Follow CABLE ADJUSTMENT PROCEDURE.

If Stopper does not raise up fully or sink drains too slowly:

- Follow CABLE ADJUSTMENT PROCEDURE.

If you need to remove the Stopper:

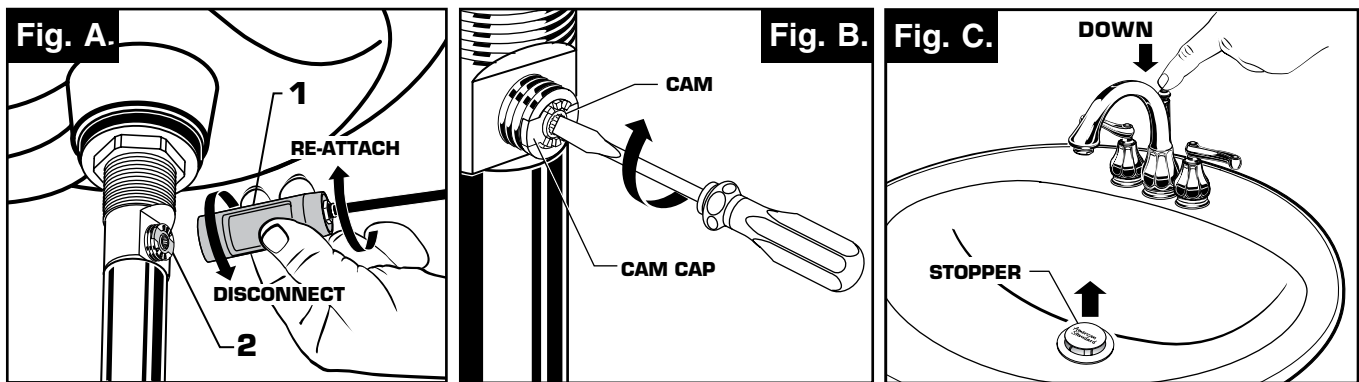
- Follow STOPPER REMOVAL PROCEDURE.

If you would like the ability to remove your Stopper simply by lifting it out of the drain:

- Follow STOPPER INSTALLATION PROCEDURE for “Unlocked” mode.

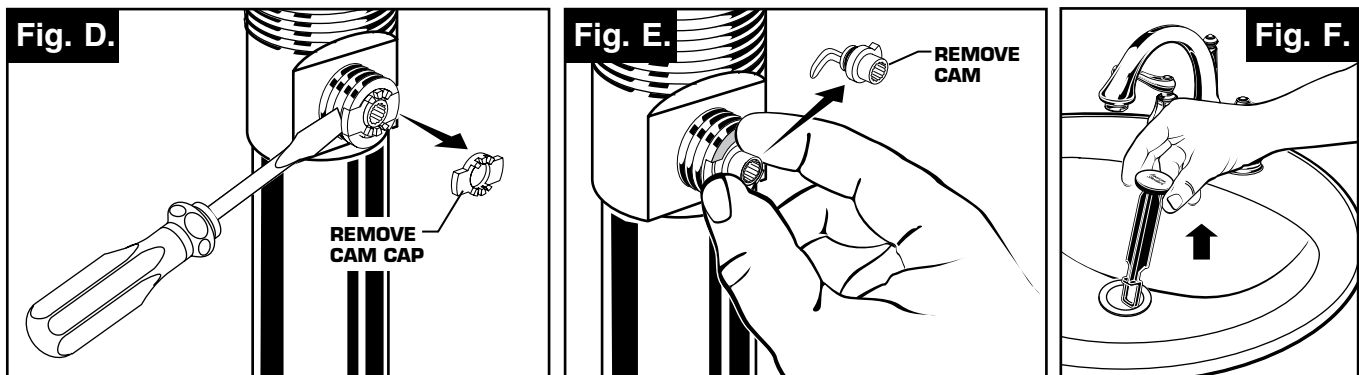
CABLE ADJUSTMENT PROCEDURE

- Disconnect the Cable from the Drain by threading the Cable Connector **(1)** counter-clockwise. **Fig. A.**
- Look at the area on the Drain Body where the Cable was attached and locate the component labeled as “Cam” in the illustration. **Fig. B.**
- Use a small screwdriver to rotate the Cam in the clockwise direction as far as it will go. At this point the Stopper should be in the UP position. **Fig. B, C.**
- Push DOWN on the Lift-Knob to make sure it is fully down. **Fig. C.**
- Re-attach the Cable to the Drain Body Connection **(2)** by threading the Cable Connector **(1)** clockwise onto the Drain Body Connection **(2)** and hand-tighten. **Fig. A.**



STOPPER REMOVAL PROCEDURE

- Disconnect the Cable from the Drain by threading the Cable Connector **(1)** counter-clockwise. **Fig. A.**
- Look at the area on the Drain Body where the Cable was attached and locate the component labeled as “Cam” and “Cam Cap” in the illustration. **Fig. B.**
- Use fingers or small screwdriver under either side of the Cam Cap to pry it out from the Drain. **Fig. D.**
- Remove the Cam by pulling it straight out while wiggling gently to loosen the Rubber Seal. **Fig. E.**
- The Stopper can now be removed by lifting it out of the Drain. **Fig. F.**

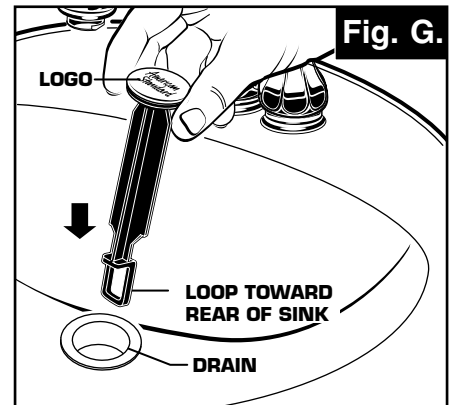


STOPPER INSTALLATION PROCEDURE

The Stopper can be installed two ways, “Locked” Mode (Stopper cannot be removed) or “Unlock” Mode (Stopper is removable).

Locked Mode:

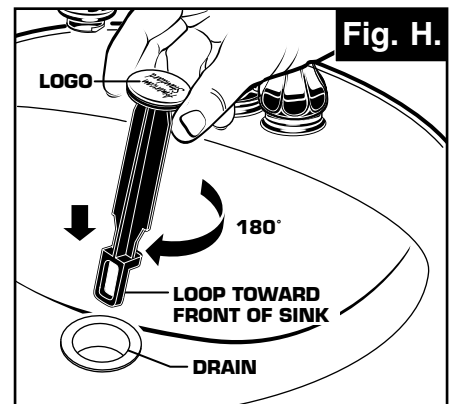
- Look at the Plastic Loop at the bottom of the Stopper and notice that the Loop is on one side of the Stopper. **Fig. G.**
- To install the stopper in “Locked” mode, insert the Stopper into the Drain so that the Plastic Loop is facing toward the **rear** of the Sink and the American Standard logo is facing **front**. Rotate Stopper slightly if necessary so that the Stopper slides all the way down. **Fig. G.**
- Re-install the Cam into the Drain, rotating the Cam if necessary to make sure it is fully inserted. **Fig. J.**
- Re-install the Cam Cap, making sure the guide teeth are facing outward. If the Cam Cap does not “snap” into place, then rotate the Cam to make sure it is fully inserted. **Fig. K.**
- Re-attach Cable. See “CABLE ADJUSTMENT PROCEDURE” in Troubleshooting Guide to complete installation. Stopper will be in “Locked” mode and not be removable.



**Locked Mode
(Vandal Proof)**

Unlocked Mode:

- Look at the Plastic Loop at the bottom of the Stopper and notice that the Loop is on one side of the Stopper. **Fig. H.**
- To install the stopper in “Unlocked” mode, insert the Stopper into the Drain so that the Plastic Loop is facing toward the **front** of the Sink and the American Standard logo is facing **rear**. Rotate Stopper slightly if necessary so that the Stopper slides all the way down. **Fig. H.**
- Re-install the Cam into the Drain, rotating the Cam if necessary to make sure it is fully inserted. **Fig. J.**
- Re-install the Cam Cap, making sure the guide teeth are facing outward. If the Cam Cap does not “snap” into place, then rotate the Cam to make sure it is fully inserted. **Fig. K.**
- Re-attach Cable. See “CABLE ADJUSTMENT PROCEDURE” in “Troubleshooting Guide” to complete installation. Stopper will be in “Unlocked” mode and removable.



Unlocked Mode

