

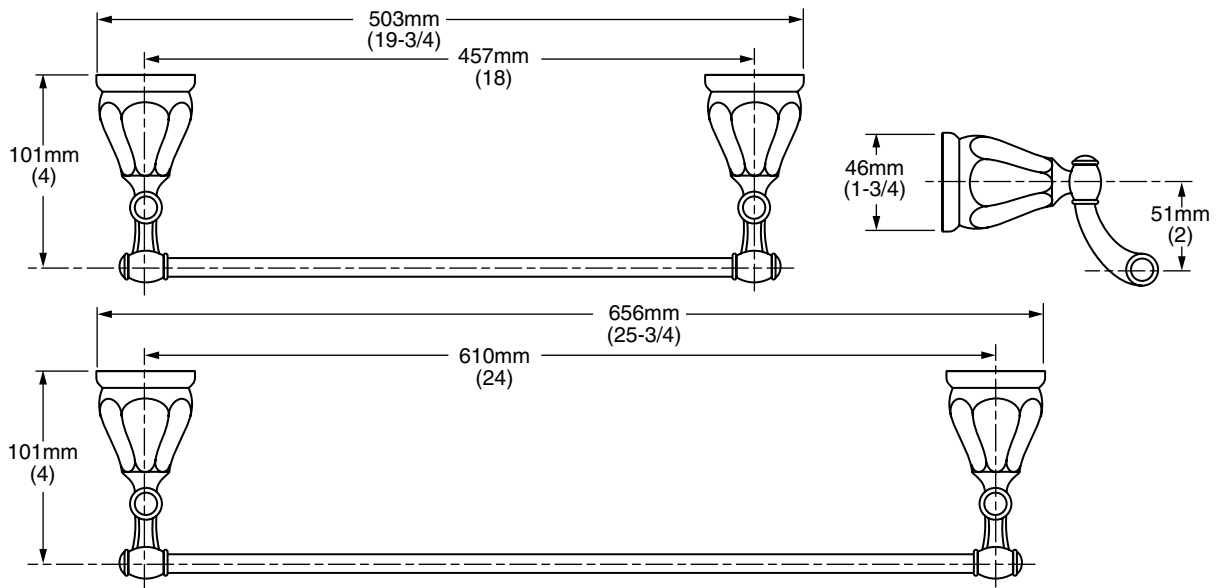
MODEL NUMBER:

❑ 6028.180 18" Towel Bar

❑ 6028.244 24" Towel Bar

Available Finishes

.002	Polished Chrome
.068	PVD Blackened Bronze
.295	Satin Nickel



PRODUCT FEATURES:

Heavy Duty Construction: Highest quality materials for durability & long life.

Concealed Mounting: No exposed set screws.

Materials of Construction: Towel bar tube - brass. Body and escutcheon - zinc.

Easy to Install.

Durability of Finishes: Chrome and PVD finishes will never tarnish.

SUGGESTED SPECIFICATION:

18" and 24" towel bar shall feature heavy - duty construction. Shall feature concealed mounting with no exposed set screws. Towel Bar tube shall be brass. American Standard Model # 6028.____.____.