

TOWN SQUARE® RIGHT HEIGHT™ ELONGATED TOILET

- 2797.016**
 - Vitreous china
 - Low-consumption (6.0 Lpf/1.6 gpf)
 - Elongated siphon action jetted bowl with 2" trapway
 - AquaForce flushing technology
 - 16-1/2" Rim height for accessible applications
 - American classic styling on bowl and tank design matched to pedestal and countertop lavatories
 - Front-mounted chrome trip lever design matched to Town Square faucets
 - Design matched molded elongated Town Square seat and cover (5725.027) included
 - 2 bolt caps
 - Internal trapway area fully glazed
 - 100% factory flush tested



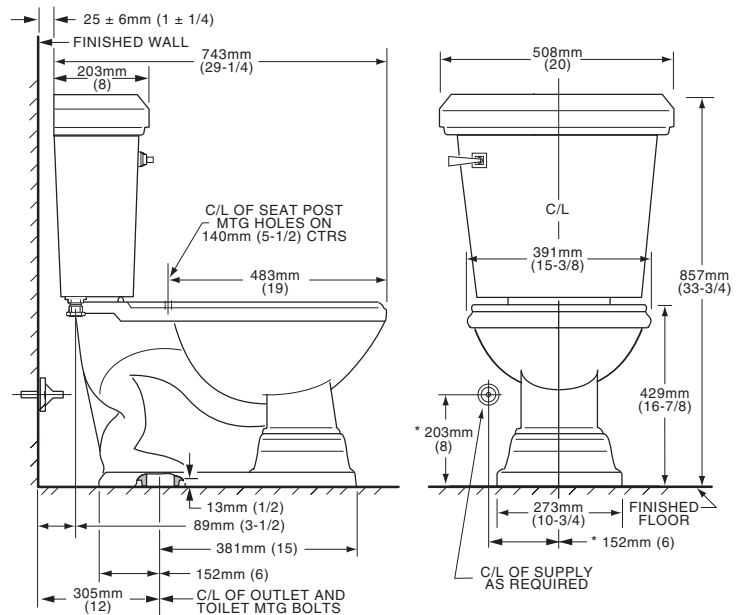
- 3797.016** Bowl
- 4707.016** Tank

Nominal Dimensions:
 743 x 508 x 857mm
 (29-1/4" x 20" x 33-3/4")

Fixture only, supply by others

Compliance Certifications - Meets or Exceeds the Following Specifications:

- ASME A112.19.2M for Vitreous China Fixtures - includes Flush Performance, Ball Pass Diameter, Trap Seal Depth and all Dimensions



To Be Specified:

- Color:
 - White
 - Bone
 - Linen
 - Black
- Alternate Seat:
- Supply with stop:

NOTES:
 THIS COMBINATION IS DESIGNED TO ROUGH-IN AT A MINIMUM DIMENSION OF 305MM (12") FROM FINISHED WALL TO C/L OF OUTLET.
 * DIMENSIONS SHOWN FOR LOCATION OF SUPPLY ARE SUGGESTED. SUPPLY NOT INCLUDED WITH FIXTURE AND MUST BE ORDERED SEPARATELY.

IMPORTANT: Dimensions of fixtures are nominal and may vary within the range of tolerance established by ANSI Standard A112.19.2. These measurements are subject to change or cancellation. No responsibility is assumed for use of superseded or voided pages.



MEETS THE AMERICANS WITH DISABILITIES ACT GUIDELINES AND ANSI A117.1 REQUIREMENTS FOR ACCESSIBLE AND USABLE BUILDING FACILITIES-CHECK LOCAL CODES.