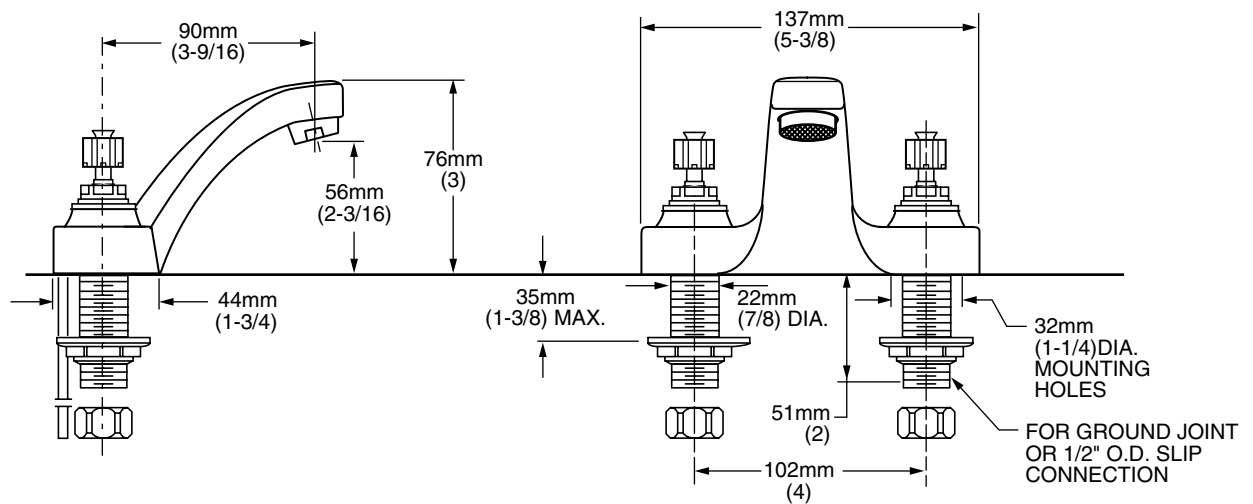


5401.000 Shown

MODEL NUMBER:

- 5400.000 Centerset Lavatory**
1.5 gpm pressure compensating aerator. Less drain.
Less pop-up hole. Less handles.
- 5401.000 Centerset Lavatory**
1.5 gpm pressure compensating aerator. Pop-up drain.
Less handles.
- 5402.000 Centerset Lavatory**
1.5 gpm pressure compensating aerator. Grid strainer
drain. Less handles.

Handles must be ordered separately.



GENERAL DESCRIPTION:

Durable cast brass construction throughout. Amarilis 1/4 turn washerless ceramic disc valve cartridges. One-half inch male inlet shanks with brass coupling nuts and shank nuts. All brass drain body with 1-1/4" (32mm) tailpiece. 1.5 gpm/5.7L/min. maximum flow rate.

PRODUCT FEATURES:

Pressure Compensating Aerator: Provides a constant water flow of 1.5 gpm throughout the pressure range.

Solid Brass Construction: Durable - Excellent in high use applications. Ideal for prolonged contact with water.

Ceramic Disc Valve Cartridges: Assures a lifetime of drip-free performance.

Low Lead: Meets NSF Standard 61/Section 9 & Prop 65 lead requirements.

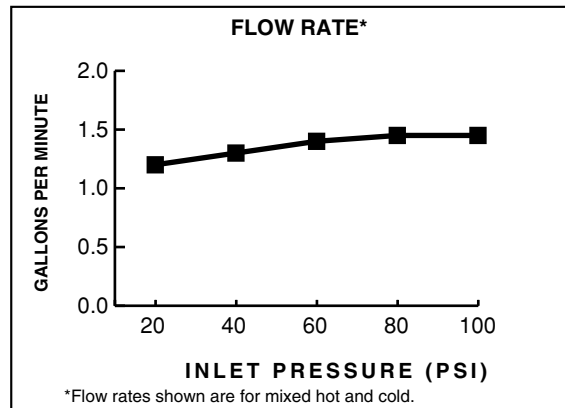
SUGGESTED SPECIFICATION:

4" centerset lavatory faucet shall be cast brass construction with all brass shank nuts and coupling nuts. Shall feature water-conserving 1.5 gpm/5.7L/min. pressure compensating aerator. Shall also feature 1/4 turn washerless ceramic disc valve cartridges. Fitting shall be American Standard Model # 540____.002 and handle kit # 0000____.002.

CODES AND STANDARDS

These products meet or exceed the following codes and standards:

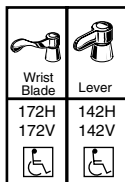
- ASME A112.18.1**
- CSA B 125**
- NSF 61/Section 9**



Product Number	Description	Finish
		Polished Chrome
		002
5400.000	Centerset lavatory faucet. 1.5 gpm/5.7L/min pressure compensating aerator. Less drain. Less handles.	
5401.000	Centerset lavatory faucet. 1.5 gpm/5.7L/min pressure compensating aerator. Pop-up drain. Less handles.	
5402.000	Centerset lavatory faucet. 1.5 gpm/5.7L/min pressure compensating aerator. Grid strainer drain. Less handles.	

Handles must be ordered separately.

The above fittings will accept the following Amarelis-Series handles.



Meets the American Disabilities Act Guidelines and **ANSI A117.1** Requirements for the physically challenged.

Other Aerators Available:

Part Suffix	Description
V15	1.5 gpm Pressure Compensating Vandal-Resistant Aerator
L15	1.5 gpm Pressure Compensating Laminar Flow
LV15	1.5 gpm Pressure Compensating Vandal-Resistant Laminar Flow Outlet
V05	0.5 gpm Pressure Compensating Vandal-Resistant Spray