

# INSTALLATION INSTRUCTIONS CARE AND MAINTENANCE

*American Standard*

Style That Works Better

## ABOVE COUNTER VESSEL CELERITY 0514.000

Thank you for selecting American Standard - the benchmark of fine quality for over 100 years. To ensure this product is installed properly, please read these instructions carefully before you begin. (Certain installations may require professional help.) Also be sure your installation conforms to local codes.

**▲ CAUTION: PRODUCT IS FRAGILE. TO AVOID BREAKAGE AND POSSIBLE INJURY HANDLE WITH CARE!**  
NOTE: Pictures may not exactly define contour of china and components.

### RECOMMENDED TOOLS AND MATERIALS

Putty Knife	Regular Screwdriver	Adjustable Wrench	Drill	Plumber's Putty or Caulking
Tape Measure	Phillips Screwdriver	Pipe Wrench	Basin Wrench	Channel Lock Pliers
Tubing Cutter	Jig Saw	Silicone Adhesive	Hacksaw	

**1A** Locate the position of the vessel as required. Provide proper clearance under the countertop for the faucet supply lines, drain assembly and the structural parts of the cabinet.

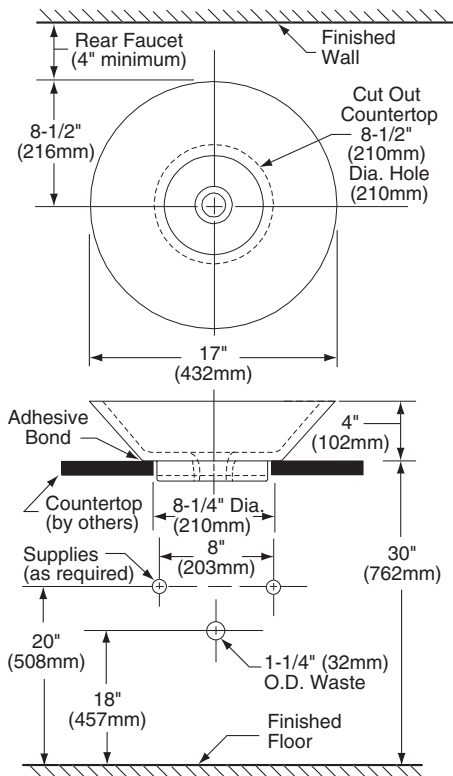
**NOTE:** If replacing an existing vessel be certain to shut off water supply before removing old vessel.

**1B Wall-mount faucet installations:**  
Ensure sufficient spout overhang into the vessel. See manufacturer's installation instructions and roughing-in notes for minimum spout lengths.

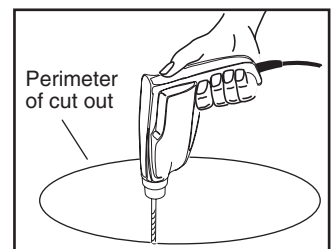
**Countertop faucet installations:**  
Locate the faucet hole on the countertop. Allow 1" minimum clearance between:

- the vessel and faucet
- the backsplash and faucet

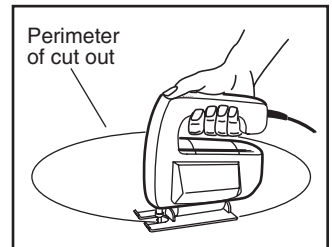
Use the faucet installation instructions for required clearances.



**2** Drill a clearance hole inside the perimeter of the cut out.



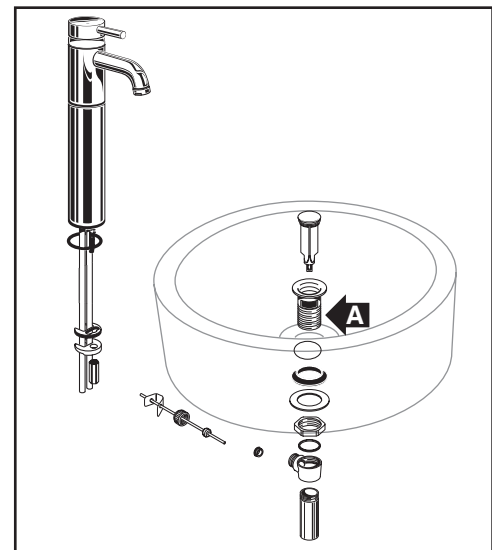
Cut opening around the perimeter of the cut out.



**NOTE:** For Wallmount or Countertop faucets, drill faucet holes according to manufacturer's instructions.

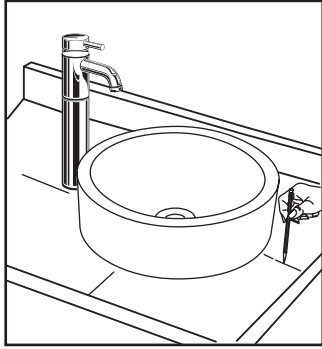
**3** Mount the faucet and drain assembly (not included) on the countertop following the manufacturer's instructions.

Be certain to apply a bead of sealing putty on the underside of the drain (Part "A") in order to ensure a watertight seal between the vessel and drain. Remove excess putty after installing drain on vessel.



4

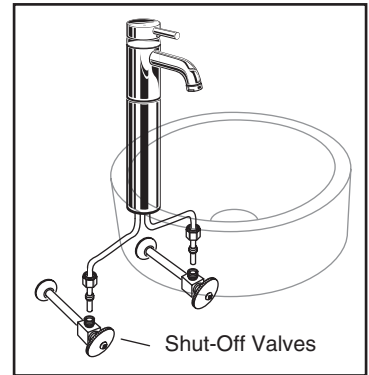
Before applying the sealant, place the vessel temporarily into the cut-out. Check for alignment and clearance. Then mark the vessel and countertop in several places as a guide for the installation location.



**NOTE: Faucet location shown for graphical purposes only.**

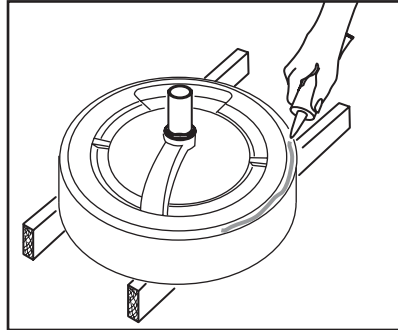
6

Connect supply line to faucet (finger tight) and carefully bend tubes to engage with the supply shut-off valves. Tighten connections at faucet and shut-off valves for secure seal.



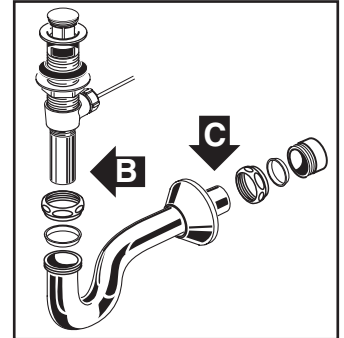
5

After checking fit and alignment, turn vessel upside down and apply a generous portion of sealant around the under side of the rim near the edge.



7

Connect trap to drain assembly hand tight to check alignment. It may be necessary to cut off part of the tailpiece (area "B") or part of the horizontal leg of the trap (area "C"). Secure joints for water tight assembly.



### AS AMERICA, INC. ONE YEAR LIMITED WARRANTY

If inspection of this AS America, Inc. ("American Standard") plumbing product, within one year after its initial purchase, confirms that it is defective in materials or workmanship, American Standard will repair or, at its option, exchange the product for a similar model.

This limited warranty applies only to the original purchaser and installation of these products. In the event of a limited warranty claim, proof of purchase will be required—save sales receipt.

This limited warranty does not apply to local building code compliance. Since local building codes vary considerably, the purchaser of this product should check with a local building or plumbing contractor to insure local code compliance before installation.

This limited warranty is void if the product has been moved from its initial place of installation; if it has been subjected to faulty maintenance, abuse, misuse, accident or other damages; if it was not installed in accordance with American Standard's instructions; or if it has been modified in a manner inconsistent with the product as shipped by American Standard.

American Standard's option to repair or exchange the product under this limited warranty does not cover any labor or other costs of removal or installation. **IN NO EVENT WILL AMERICAN STANDARD BE LIABLE FOR THE COST OF REPAIR OR REPLACEMENT OF ANY INSTALLATION MATERIALS, INCLUDING BUT NOT LIMITED TO, TILES, MARBLE ETC.** American Standard will not be responsible for any other incidental or consequential damages attributable to a product defect or to the repair or exchange of a defective product, all of which are expressly excluded from this limited warranty. This limited warranty does not cover any liability for consequential or incidental damages, all of which are hereby expressly disclaimed, or the extension beyond the duration of this limited warranty of any implied limited warranties, including those of merchantability or fitness for an intended purpose. (Some states or provinces do not allow the exclusion or limitation of implied limited warranties, so this exclusion may not apply to you.)

This limited warranty gives you specific legal rights. You may have other statutory rights that vary from state to state or from province to province, in which case this limited warranty does not affect such statutory rights.

**In the United States:**

AS America, Inc.,  
P.O. Box 6820  
Piscataway, New Jersey 08855  
Attention: Director of Consumer Affairs

For residents of the United States, warranty information may also be obtained by calling the following toll free number: (800) 442-1902  
[www.americanstandard-us.com](http://www.americanstandard-us.com)

**In Canada:**

AS Canada, ULC  
2480 Stanfield Rd.  
Mississauga, Ontario  
Canada L4Y 1S2

Toll free: (800) 387-0369  
[www.americanstandard.ca](http://www.americanstandard.ca)

**In Mexico:**

Customer Service Manager  
AS Maquila Mexico S. de R.L. de C.V.  
Via Morelos #330  
Col. Santa Clara  
Ecatepec 55540 Edo. Mexico

[www.americanstandard.com/mx](http://www.americanstandard.com/mx)