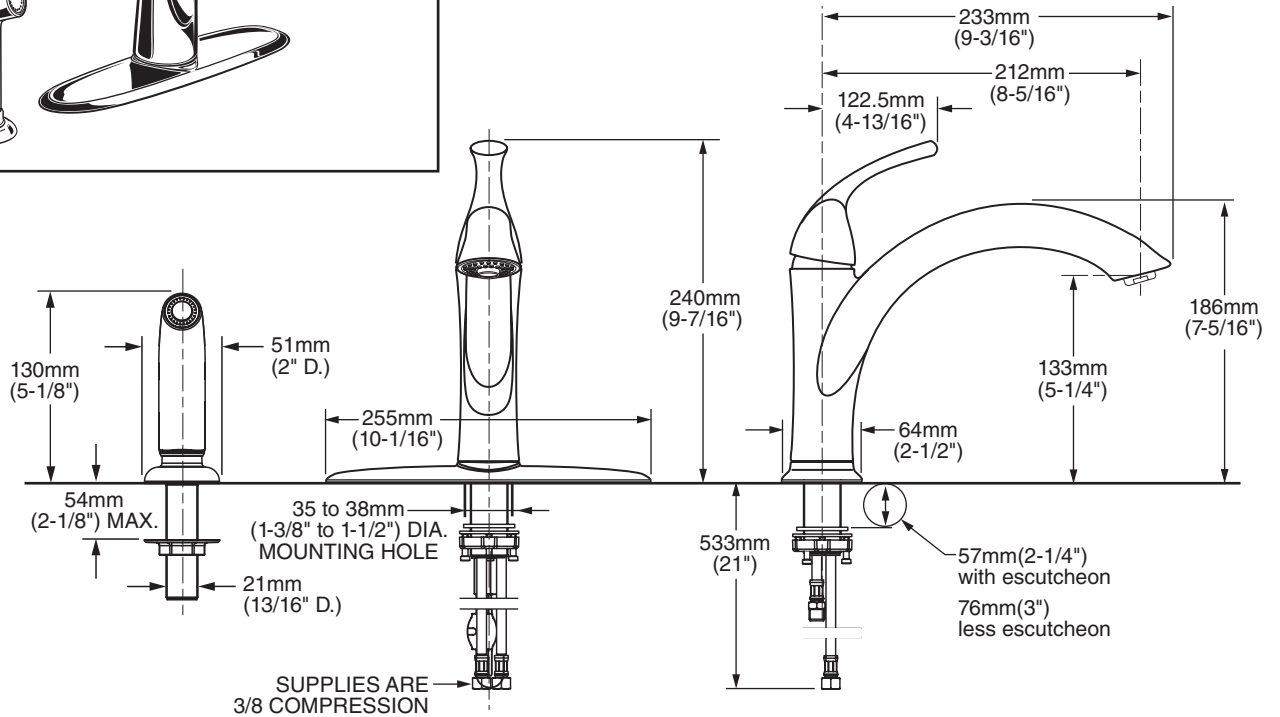




MODEL NUMBER:

☐ **4433.001 Kitchen Faucet**

Separate color-matched handspray. Escutcheon plate, (use is optional).



GENERAL DESCRIPTION:

Cast brass body and swivel spout. Metal escutcheon plate and metal lever handle. Washerless 40mm ceramic disc valve cartridge. Braided flexible supply hoses with 3/8" compression connections. 2.2gpm/8.3L/min. maximum flow rate. Metal mounting shank with brass fixation ring (for installation on counters up to 2"). Can be mounted with or without supplied escutcheon plate (escutcheon size 10-1/16"L x 2-1/2"W). Color-matched hand spray. Cap provided for less spray applications.

PRODUCT FEATURES:

Ceramic Disc Valve Cartridge: Assures a lifetime of drip-free performance.

Cast Brass Waterway, Cast Brass Spout: Highest quality faucet materials for durability and long life.

Memory Position Valving: Allows user to turn valve on and off at preferred temperature setting without readjusting handle position each time.

Lead Free: Faucet contains ≤ 0.25% total lead content by weighted average.

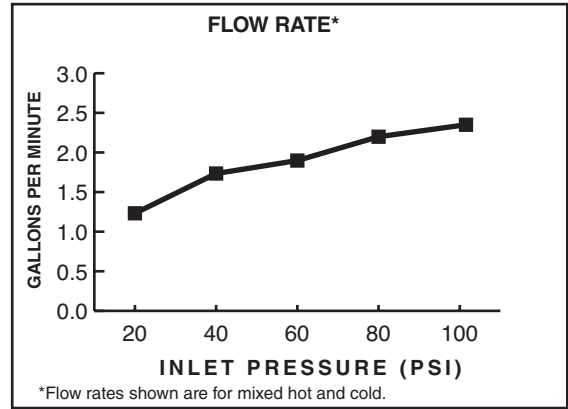
SUGGESTED SPECIFICATION:

Single control kitchen faucet shall feature a cast brass body and swivel spout, and all metal handle. Shall also feature washerless 40mm ceramic disc valve cartridge and flexible supply hoses. Fitting shall be American Standard Model # 4433.001.____

CODES AND STANDARDS


These products meet or exceed the following codes and standards:

- ANSI A117.1**
- ASME A112.18.1**
- CSA B 125**
- NSF 61/Section 9 & Annex G**



2.2gpm/8.3L/min. FLOW RATE

Product Number	Description	Finish Options		
		Polished Chrome	Stainless Steel (PVD)	Oil Rubbed Bronze
4433.001	Kitchen faucet with side spray.	002	075	224

 Meets the American Disabilities Act Guidelines and **ANSI A117.1** Requirements for the physically challenged.