

American Standard

# Culinaire™

## TOP MOUNT BRIDGE KITCHEN FAUCETS

with EverClean™ Finish

Congratulations on purchasing your American Standard faucet with EverClean finish found only on American Standard faucets.

### EverClean Finish

- One wipe effortlessly removes spots
- Eliminates the need for cleaners and scrubbing
- Permanent surface protectant remains beautiful for the life of the faucet
- EverClean™ available on: Polished Chrome, Satin Nickel, Stainless Steel, Polished Brass (or any combination of these finishes)

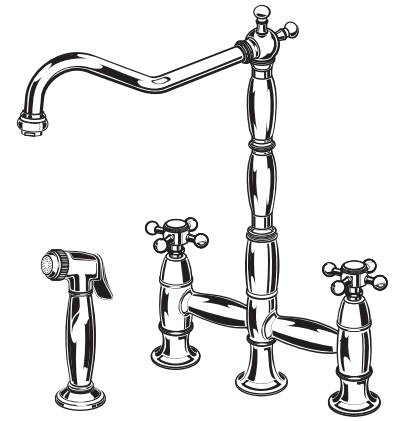
To ensure that your installation proceeds smoothly-please read these instructions carefully before you begin.

## Installation Instructions

4233.701

4233.711

4233.721



Certified to comply with ASME A112.18.1M

M968250 REV. 1.1

### TOOLS REQUIRED



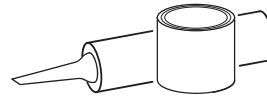
Tubing Cutter



Channel Locks



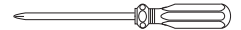
Adjustable Wrench



Plumbers' Putty or Caulking

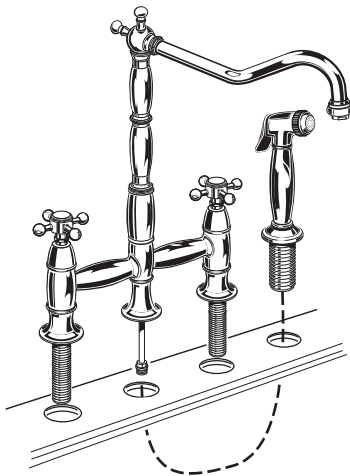


Flat Blade Screwdriver



Phillips Screwdriver

### INSTALLATION OPTIONS

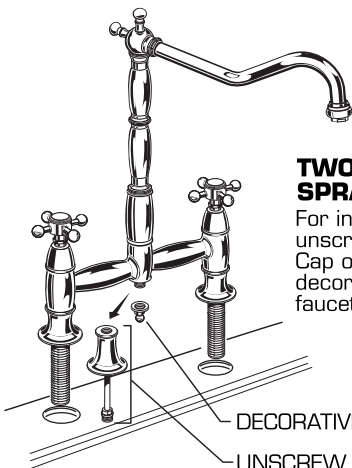
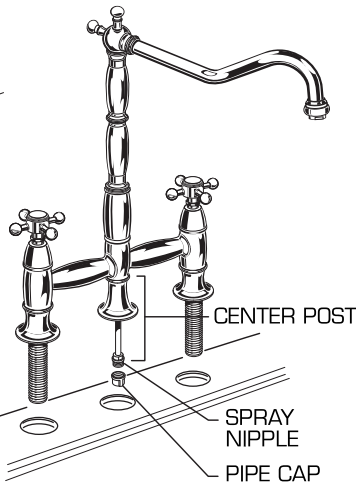


#### FOUR HOLE INSTALLATION WITH SPRAY

Typical four hole installation with spray

#### THREE HOLE INSTALLATION LESS SPRAY WITH CENTER POST

For installation less spray with center post, cap off spray nipple with pipe cap supplied with faucet.



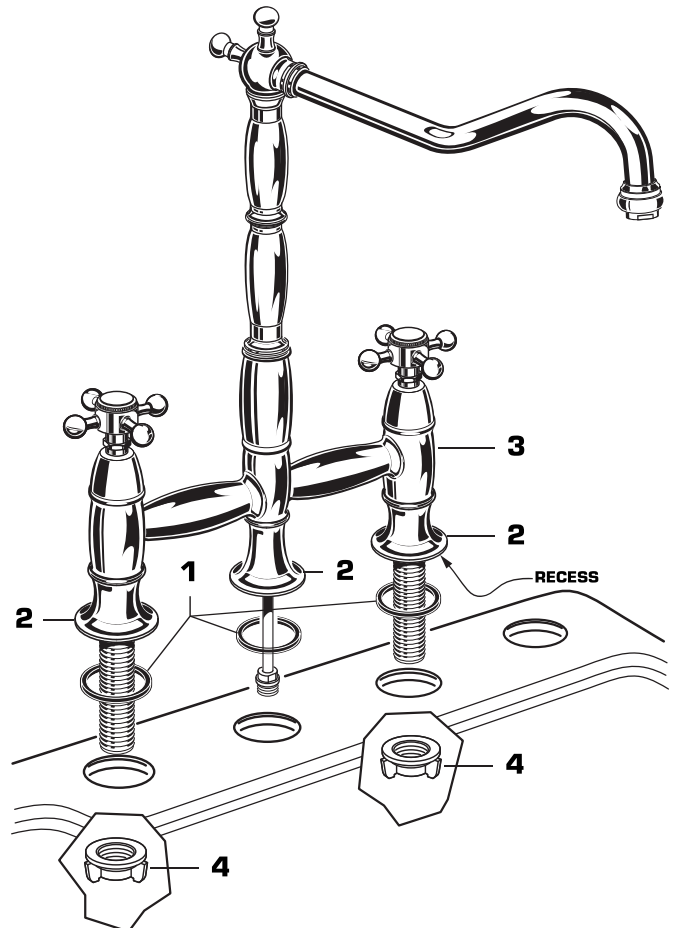
#### TWO HOLE INSTALLATION LESS SPRAY LESS CENTER POST

For installation less center post, unscrew center post from faucet. Cap off center post nipple with decorative pipe cap supplied with faucet.

## 1 INSTALL FAUCET

**CAUTION** Turn off hot and cold water supplies before beginning.

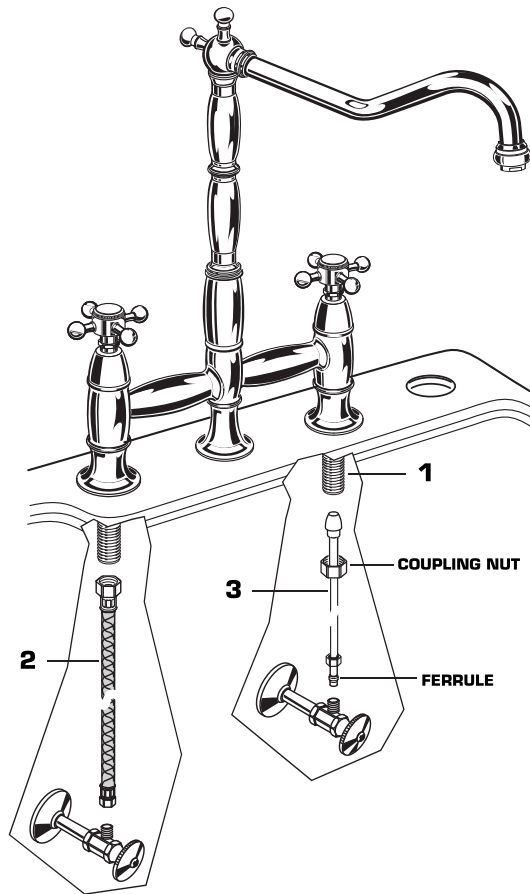
- Place the three RUBBER RINGS (1) into FAUCET ESCUTCHEON (2) recesses.
- Insert FAUCET (3) through holes in kitchen sink or countertop.
- From under sink thread LOCK NUTS (4) to secure FAUCET. Hand tighten only.



## 2 MAKE WATER SUPPLY CONNECTIONS

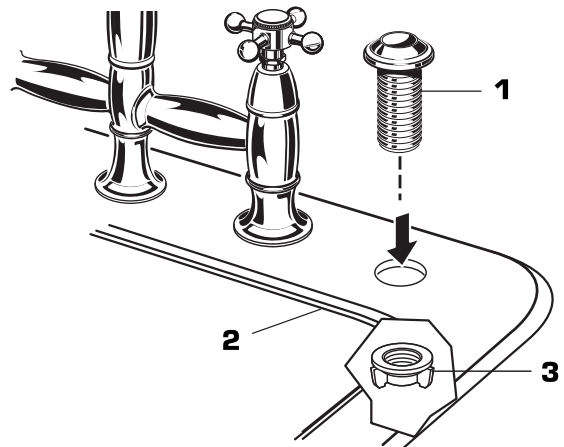
**NOTE: FLEXIBLE SUPPLIES OR BULL-NOSE RISERS MUST BE PURCHASED SEPARATELY.**

- Connect water supply to FAUCET (1) with 1/2" IPS FLEXIBLE SUPPLIES (2) or 3/8" O.D. BULL-NOSE RISERS (3).
- Use tubing cutter to cut to proper length.
- Use adjustable wrench to tighten connections. Do not over tighten. Be careful not to kink copper supply when bending.



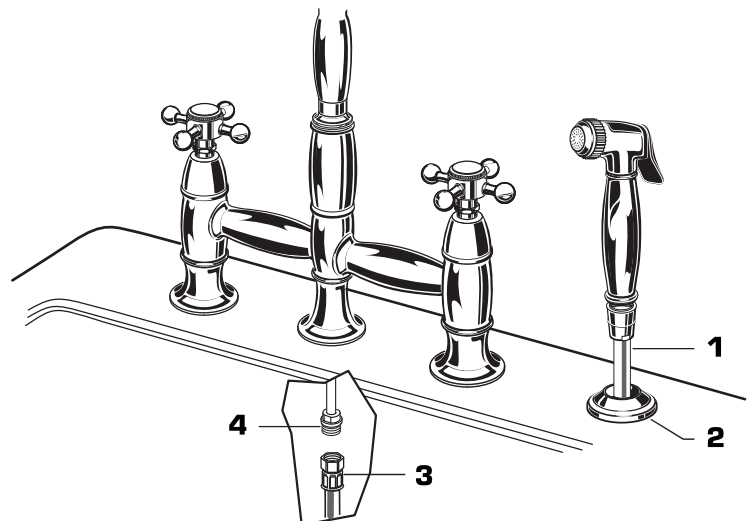
## 3 INSTALL SPRAY HOLDER

- Place SPRAY HOLDER (1) into separate hole of SINK (2) and assemble NUT (3) onto shank from underside of SINK (2).
- Hand tighten NUT (3).



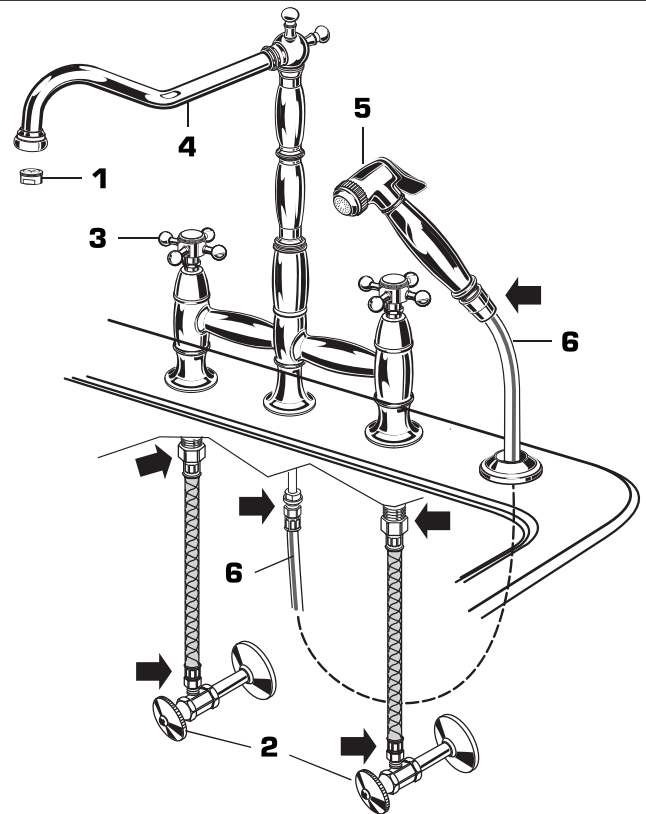
## 4 CONNECT SPRAY

- Feed SPRAY HOSE (1) through SPRAY HOLDER (2) and attach COUPLING NUT (3) of HOSE (1) to HOSE ADAPTOR (4) on valve body.
- Tighten COUPLING NUT (3) firmly.



## 5 TEST INSTALLED FAUCET

- Remove AERATOR (1). With handles in OFF position, turn on WATER SUPPLIES (2) and check all connections for → leaks.
- Operate both HANDLES (3) to flush water lines thoroughly. Rotate SPOUT (4) in both directions. Replace AERATOR (1).
- Direct SPRAY HEAD (5) into sink and activate SPRAY (5). Check HOSE (6) connections for → leaks.

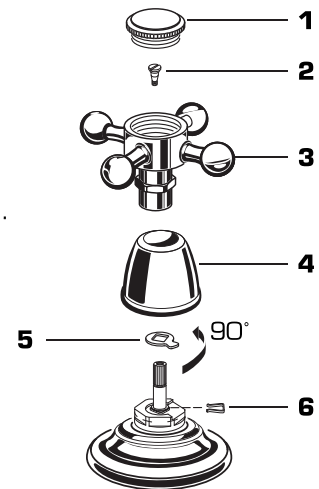


## 6 SERVICE

- To change direction of handle rotation, proceed as follows:
  - Turn valve to OFF position.
  - Remove INDEX CAP (1). Remove HANDLE SCREW (2).
  - Pull off HANDLE (3) and pull off HANDLE BASE (4).
  - Remove SPRING CLIP (6).
  - Lift STOP WASHER (5), turn 90° and replace.
  - Replace SPRING CLIP (6).
  - Reinstall HANDLE BASE (4) and HANDLE ASSEMBLY (1,2,3).

### If faucet drips proceed as follows:

- Aerator may accumulate dirt causing distorted and reduced water flow. Remove aerator and rinse clean.
- If spout drips, operate handles several times from OFF to ON position. Do not force-handles turn only 90°.



## 7 EverClean™ Finish Care Instructions

American Standard's EverClean finish will wipe clean with a soft, dry cloth. A soft cloth with clean water may also be used, if desired. No additional cleaning products are required.

**DO NOT USE:** Soaps, acid, polish, abrasives, harsh cleaners, or a cloth with a coarse surface.