

**TOWN SQUARE® CONCEALED TRAPWAY
RIGHT HEIGHT™ ELONGATED TOILET**

- 2817.016**
 - Vitreous china
 - **LXP (Luxury Performance) Toilet**
 - Low-consumption (6.0 Lpf/1.6 gpf)
 - Elongated siphon action jetted bowl with smooth-sided concealed trapway
 - PowerWash™ rim scrubs bowl with each flush
 - 16-1/2" Rim height for accessible applications
 - Fully glazed 2" trapway
 - Oversized 3" flush valve with chemically resistant flapper
 - American classic traditional styling on bowl and tank
 - Front-mounted chrome trip lever design matched to Town Square faucets
 - Includes design-matched Duroplast Slow Close Toilet Seat and cover with easy lift-off feature for simple removal and reattachment for cleaning
 - 2 color matched bolt hole covers
 - 100% factory flush tested
 - **Coordinates with Town Square® Suite of fixtures and faucets**



- 3071.016 Bowl**
- 4216.016 Tank**

Nominal Dimensions:

756 x 390 x 791mm
(29-3/4" x 15-1/4" x 31-1/8")

Fixture and seat only, supply by others

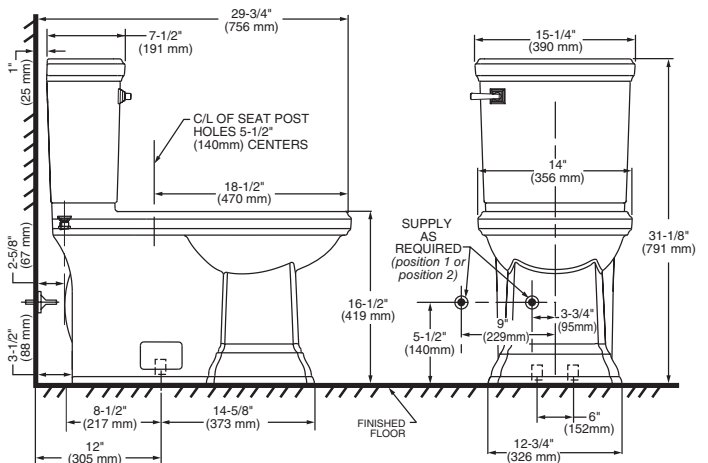
Compliance Certifications -

Meets or Exceeds the Following Specifications:

- ASME A112.19.2-200 / CSA B45.1-08
- Los Angeles Department of Water and Power Supplementary Purchase Specification for Non-Adjustability

To Be Specified:

- Color:
 - White Bone Linen
- Supply with Stop:



IMPORTANT: Water supply on the wall is required at 3-3/4" or 9" from centerline of the toilet (see rough-in). First suggested position is hidden behind the toilet. The geometry of the toilet gives space for this installation. The second suggested position is next to the toilet. Between these two positions, the space for the supply between wall and toilet is limited to 3-1/4". In this case, check your supply and hose dimensions.

NOTES:

THIS COMBINATION IS DESIGNED TO ROUGH-IN AT A MINIMUM DIMENSION OF 305MM (12") FROM FINISHED WALL TO C/L OF OUTLET.
* DIMENSIONS SHOWN FOR LOCATION OF SUPPLY ARE SUGGESTED. SUPPLY NOT INCLUDED WITH FIXTURE AND MUST BE ORDERED SEPARATELY.

IMPORTANT: Dimensions of fixtures are nominal and may vary within the range of tolerance established by ANSI Standard A112.19.2. These measurements are subject to change or cancellation. No responsibility is assumed for use of superseded or voided pages.



MEETS THE AMERICANS WITH DISABILITIES ACT GUIDELINES AND ANSI A117.1 REQUIREMENTS FOR ACCESSIBLE AND USABLE BUILDING FACILITIES-CHECK LOCAL CODES.