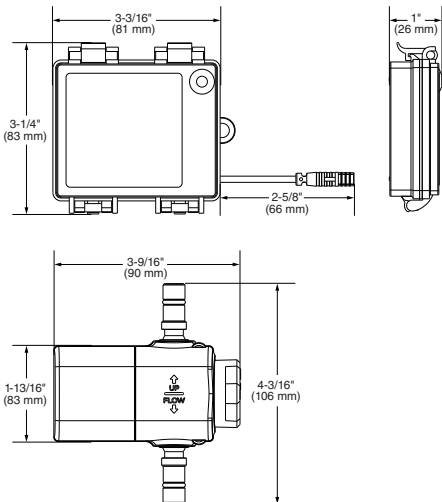
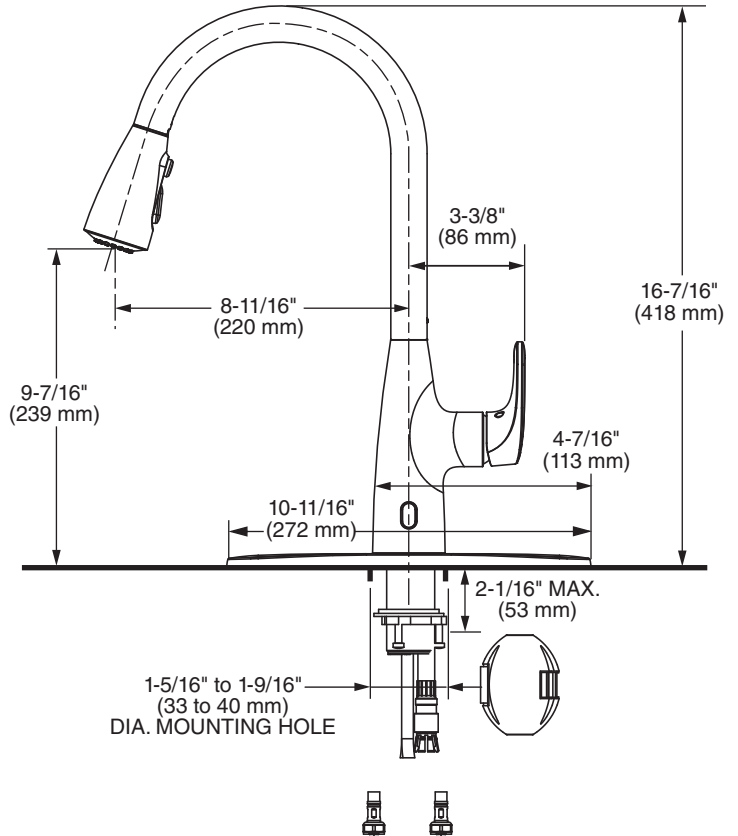


MODEL NUMBER:

☐ 7077380 Pull-Down Faucet



GENERAL DESCRIPTION:

Metal body and handle with metal swivel spout. Pull-down spray with adjustable spray pattern and pause feature. Nylon braided pull out hose complete with two integral check valves. Washerless 28 mm ceramic disc valve cartridge. 35" Flexible, color coded braided stainless steel supply hoses with 3/8" compression connections. Mounting shank with brass fixation ring. 1.5 gpm/5.7 L/min. maximum flow rate. Fitting can be mounted with or without deck plate.

PRODUCT FEATURES:

Selectronic® Hands-Free Technology: Featuring a front facing wave on/off IR sensor with an automatic safety shut off after 2 minutes.

Ceramic Disc Valve Cartridge: Assures a lifetime of smooth handle operation and drip-free performance.

Metal Construction: Quality materials for durability & long life.

Memory Position Valving: Allows user to turn valve on and off at preferred temperature setting without readjusting handle position each time.

Lead Free: Faucet contains ≤ 0.25% total lead content by weighted average.

Pull-down Spray: Adjustable spray pattern-stream to spray and pause feature.

Integral Check Valves: Prevents back flow.

Choice of Finishes: Choice of Polished Chrome, Stainless Steel (PVD) or Matte Black.



ADA COMPLIANT

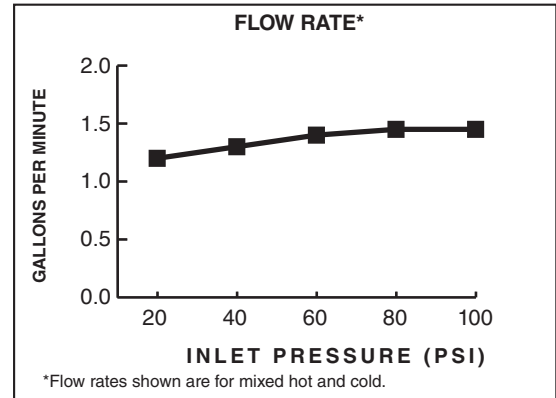
SUGGESTED SPECIFICATION

Single control kitchen faucet shall feature a metal body with pull-down spray. Shall also feature washerless ceramic disc valve cartridge, flexible stainless steel supply hoses and two integral check valves. Fitting shall be American Standard Model # 7077380.____.

CODES AND STANDARDS

These products meet or exceed the following codes and standards:

- ANSI A117.1**
- ASME A112.18.1**
- CSA B125.1**
- NSF/ANSI/CAN 61: Q<1**
- NSF/ANSI/CAN 372**



1.5 gpm/5.7 L/min. FLOW RATE

Product Number	Description	Finish Options		
		Polished Chrome	PVD Stainless Steel	Matte Black
		002	075	243
7077380	Pull-Down Kitchen Faucet with Selectronic® Hands-Free Technology			

 Meets the American Disabilities Act Guidelines and **ANSI A117.1** Requirements for the physically challenged.