

**ACRYLUX 38" x 38" NEO-ANGLE
SHOWER BASE**

❑ **3838Y1.NEO NEO-ANGLE SHOWER BASE**

Product Features:

- High-gloss acrylic-capped ABS with fiberglass reinforcement
- Neo-angle, corner design
- Integral two-sided, tiling/water retention flange
- Textured bottom

Nominal Dimensions:

38" x 38" x 5-1/8"
(965 x 965 x 130mm)

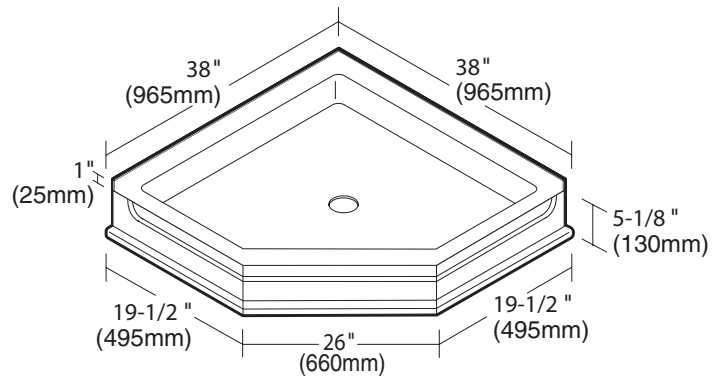
For use with:

- 3838Y1.CWT Corner Tile Wall Set
- Base can also be installed without Acrylux wall set

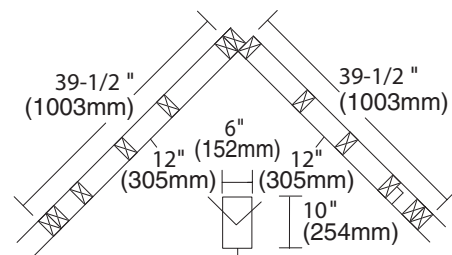
Compliance Certifications -

Meets or Exceeds the Following Specifications:

- ANSI Z124.2 for Plastic Showers
- ASTM E162 for Flammability
- NFPA 258 for Smoke Density



STUD LAYOUT



Floor Cutout

☒ = Stud Location