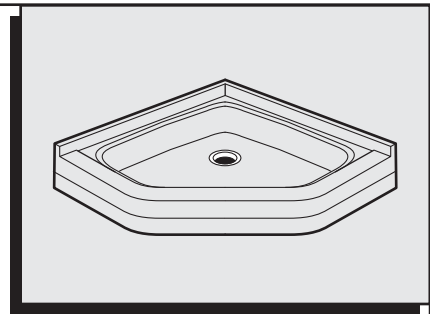


Installation Instructions

TOWN SQUARE ACRYLIC SHOWER BASE

MODELS 3636.STTS, 3838.NEOTS, 4834.STTS



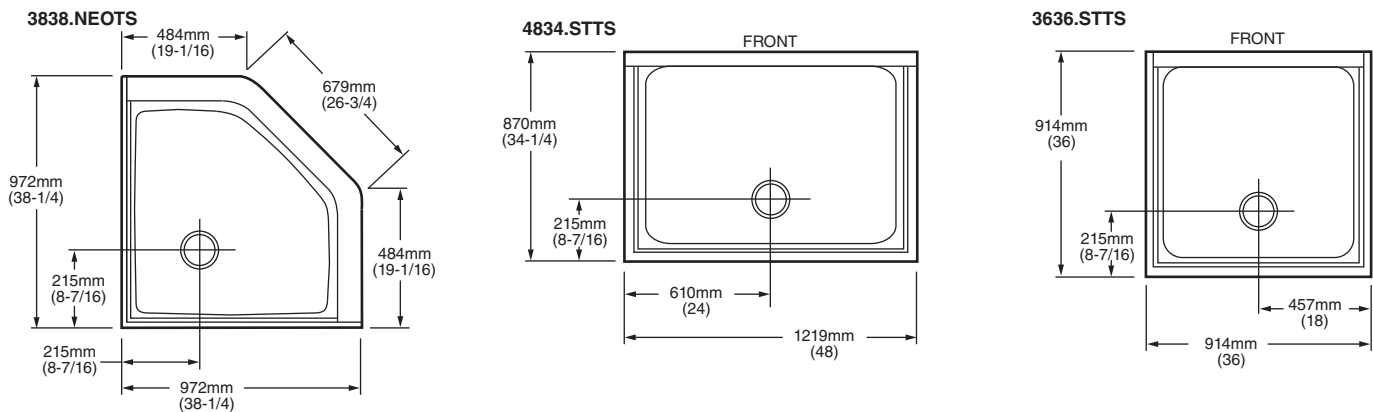
Certified to comply with ANSI Z124.2 1987.
Observe local plumbing and building codes.

Thank you for selecting American Standard - the benchmark of fine quality for over 100 years. To ensure this product is installed properly, please read these instructions carefully before you begin. (Certain installations may require professional help.) Also be sure your installation conforms to local codes.

**For alcove (.STTS models) installation only:
The opening dimensions should be 1/8" larger than dimensions shown.**

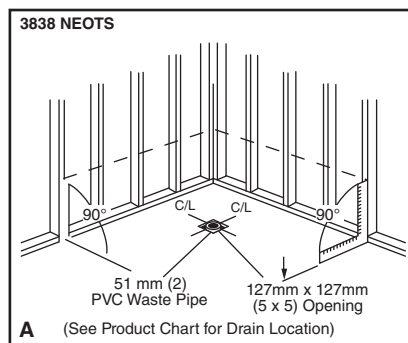
752769-100 Rev. C

NOTE: Read instructions completely before proceeding with installation.

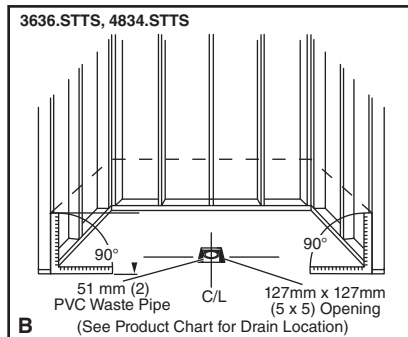


1

Insure the floor and stud walls are square and plumb. Provide a 5" x 5" (127mm x 127mm) opening in the floor for the drain (see Figs. A & B). The drain plug accommodates a 2" (51mm) PVC waste pipe. The waste pipe should extend above the surface of the sub-floor 3/8" ± 1/16".

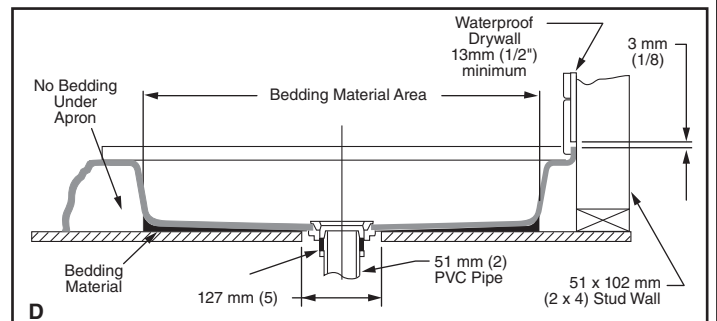
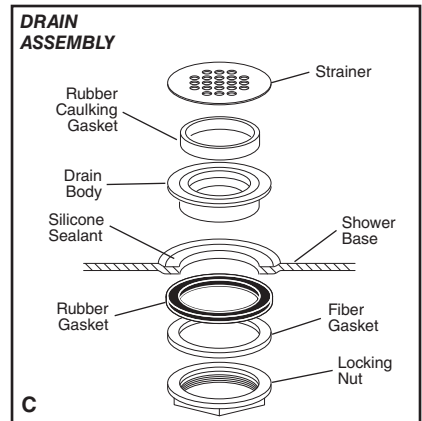


Note: Variations in levelness of subfloor may require adjustment of waste pipe height. See product drawings on this page for the specified drain locations.



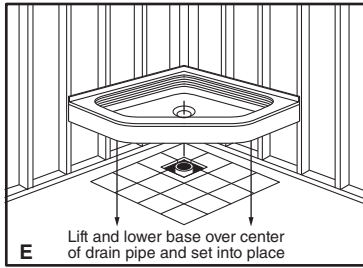
2

Before installing drain into the shower base, remove strainer (see Fig. C). This will be installed after shower base is in its final position. Install the drain to the shower base as shown in Fig. D. Use silicone sealant between drain body and shower base.



3

After leveling base on subfloor, use base and mark studs. This will be the installed height of shower base. Mix the low-shrink bedding material (grout, mortar, plaster, etc.). **Concrete is not recommended.** Apply enough bedding material to support the entire bottom of the shower base. **The bedding material must not be used under the apron (front edge).**



CLEANING AND MAINTENANCE

Your American Standard shower base is designed to last indefinitely with reasonable care and maintenance.

The high-gloss acrylic surface is resistant to impact and retains its luster with proper care and maintenance. An integral, slip-resistant surface is incorporated for user safety.

General Cleaning: Do not use abrasive cleaners; a mixture of warm water and a mild liquid detergent is adequate for most cleaning. **Strong detergents formulated for use on tile or porcelain-enamel surfaces should be avoided.**

Caution: Do not allow liquid detergent containers to remain on base surfaces for more than a few moments. Do not use Lestoil, Windex, Mr. Clean, Dow Disinfectant (spray or concentrate), or Lysol Basin, Tub and Tile Cleaner. Do not allow nail polish remover, dry cleaning fluid, acetone, paint remover, or other solvents to contact acrylic surface.

AS AMERICA, INC. ("AMERICAN STANDARD") ONE-YEAR LIMITED WARRANTY

If inspection of this AS America, Inc. ("American Standard") plumbing product, within one year after its initial purchase, confirms that it is defective in materials or workmanship, American Standard will repair or, at its option, exchange the product for a similar model.

This warranty **does not apply** to local building code compliance. Since local building codes vary considerably, the purchaser of this product should check with a local building or plumbing contractor to insure local code compliance before installation.

This warranty **shall be void** if the product has been moved from its initial place of installation; if it has been subjected to faulty maintenance, abuse, misuse, accident or other damage; if it was not installed in accordance with American Standard's instructions; or if it has been modified in a manner inconsistent with the product as shipped by American Standard.

American Standard's option to repair or exchange the product under this warranty does not cover any labor or other costs of removal or installation, **nor shall American Standard be responsible for any other incidental or consequential damages attributable to a product defect or to the repair or exchange of a defective product, all of which are expressly excluded from this warranty.** (Some states or provinces do not allow the exclusion or limitation of implied warranties, so this exclusion may not apply to you.)

This warranty gives you specific legal rights. You may have other statutory rights that vary from state to state or from province to province, in which case this warranty does not affect such statutory rights.

For service under this warranty, it is suggested that a claim be made through the contractor or dealer from or through whom the product was purchased, or that a service request (including a description of the product model and of the defect) be sent to the following address:

In the United States:

American Standard Brands
P.O. Box 6820

Piscataway, New Jersey 08855
Attention: Director of Consumer Affairs

For residents of the United States, warranty information may also be obtained by calling the following toll free number: (800) 442-1902
www.americanstandard.com

In Canada:

AS Canada ULC
5900 Avebury Rd.
Mississauga, Ontario
Canada L5R 3M3

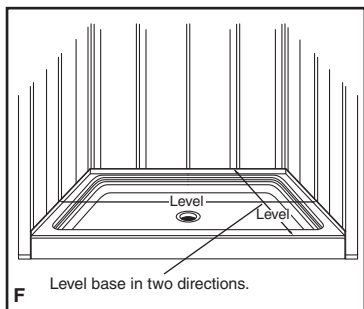
Toll Free: (800) 387-0369
www.americanstandard.ca

In Mexico:

American Standard B&K Mexico
S. de R.L. de C.
Via Morelos #330
Col. Santa Clara
Ecatepec 55540 Edo. Mexico
Toll Free: 01-800-839-1200
www.americanstandard.com.mx

4

After the bedding material has been poured and before it sets, lower the shower base into position with the drain assembly sliding over the waste pipe as shown in Fig. E. It will be necessary to "rock" the shower base until the top of the tile flange aligns with the lines drawn in Step 3 on the stud walls. Make certain the apron is contacting the rough floor along the entire length of the shower base. Insure that the base is level in two directions (see Fig. F). Snap strainer back into place and check for proper drainage.

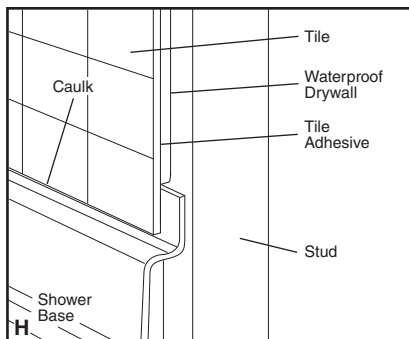


Note: Allow the bedding material to completely harden before applying weight to the bottom of the shower base.

5

Tape over the strainer to protect the finish and prevent construction debris from entering the drain.

Finish installation as shown in Figure H.



FOR AFTER-SALES SERVICE CALL 1 (800) 442-1902 WEEKDAYS.