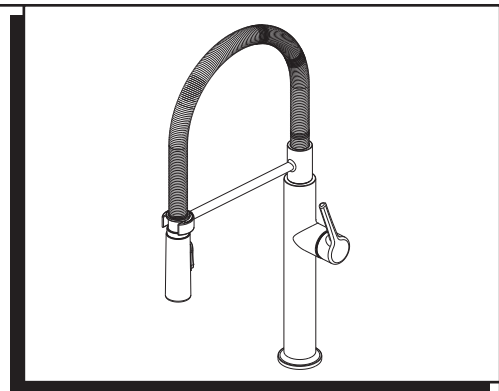


**Studio-S®
Semi-Professional Kitchen Faucet**

Thank you for selecting American Standard...
the benchmark of fine quality for over 140 years.

To ensure that your installation proceeds smoothly-please read
these instructions carefully before you begin.



Certified to comply with ANSI A112.18.1M

RECOMMENDED TOOLS



Flat Blade Screwdriver



Phillips Screwdriver



Adjustable Wrench

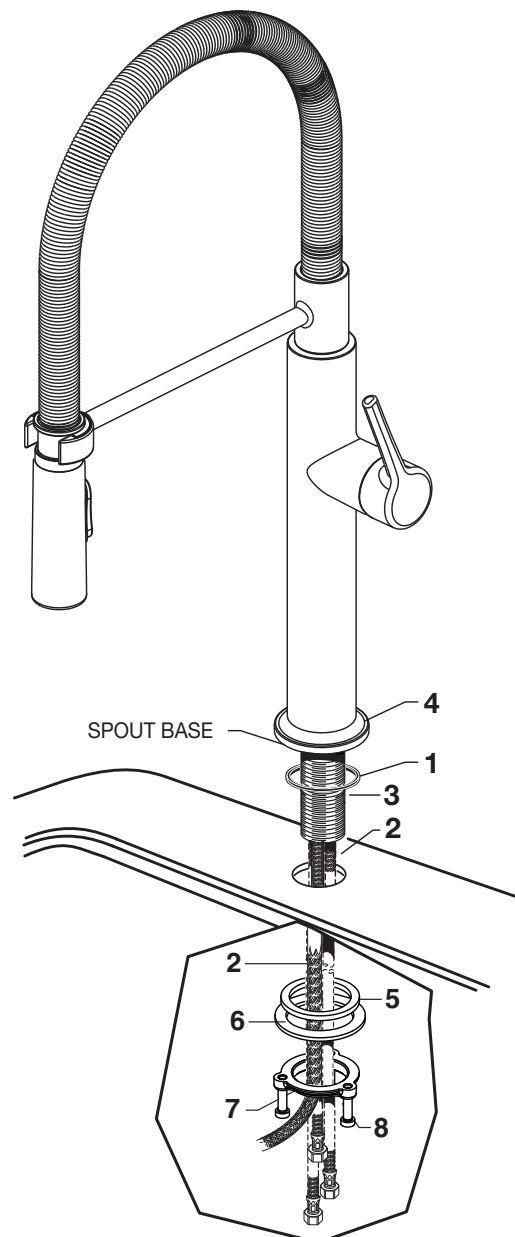


Plumbers' Putty or Caulking

1 INSTALL FAUCET

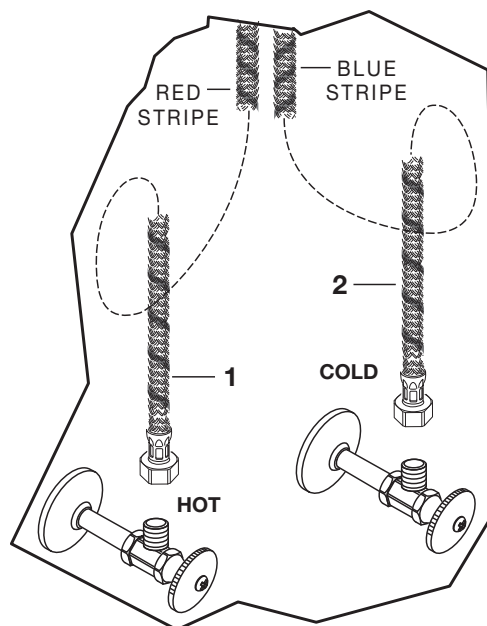
CAUTION Turn off water at
main supply

- Make certain the SEAL (1) is properly seated in recess of spout base.
- Insert all HOSES (2) and SHANK (3) through MOUNTING RING (4) and mounting surface. Do not use putty.
- Insert HOSES (2) through RUBBER WASHER (5), BRASS WASHER (6), and threaded LOCKNUT (7).
- Assemble RUBBER WASHER (5), BRASS WASHER (6), and threaded LOCKNUT (7) onto SHANK (3) from underside of sink or mounting surface. Hand tighten LOCKNUT (7).
- Use a screwdriver to tighten SCREWS (8) on LOCKNUT (7). Work your way around LOCKNUT (7), tightening the screws slightly each time until all are snug to ensure even pressure.



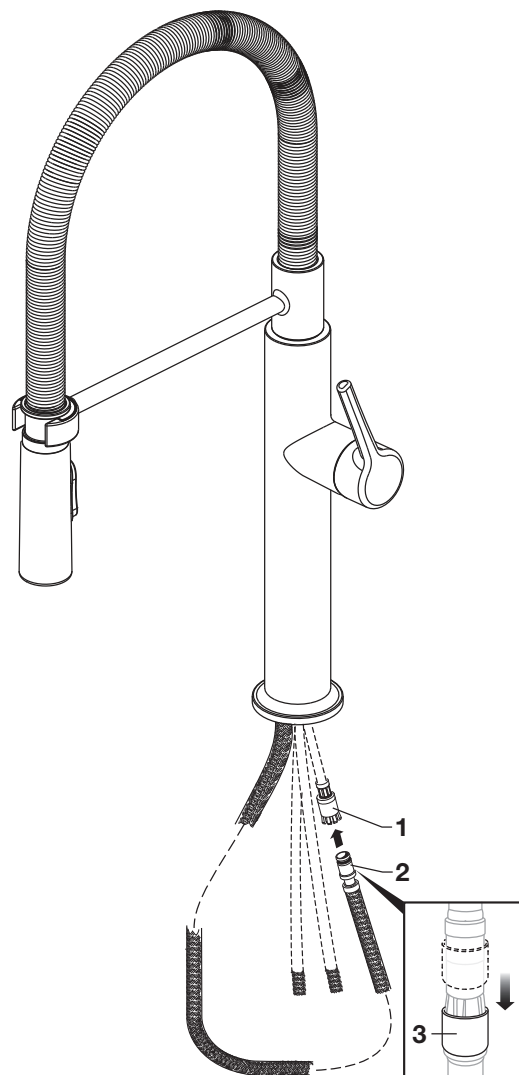
2 MAKE WATER SUPPLY CONNECTIONS

- Turn off hot and cold water supplies before beginning.
- Connect FLEXIBLE SUPPLY HOSES (1, 2) directly to wall supplies. Connection on fitting supplies are 3/8" compression. Connect left supply hose (Red Stripe) to Hot wall supply. Connect right supply hose (Blue Stripe) to Cold wall supply. Use adjustable wrench to tighten connections. Do not over tighten.
- * Faucet supplies are 21" long from faucet base.
- **Note: If additional supply length is required, installer must purchase additional parts separately.**
- **Important: If SUPPLY HOSES (1, 2) are too long, loop as illustrated to avoid kinking.**



3 CONNECT SPRAY HOSE

- Push the SPRAY HOSE END (2) into the HOSE CONNECTOR (1) slide down LOCKING COLLAR (3) until it snaps into place to secure connection.



4 CHECK CONNECTIONS FOR LEAKS

- Move HANDLE into "off" position.
- Turn on water supplies and check connections for leaks. ➡
- Operate HANDLE up and down, left and right to flushwater lines thoroughly.
- Operate HAND SPRAY and check connections for leaks. ➡

